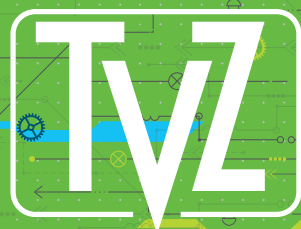


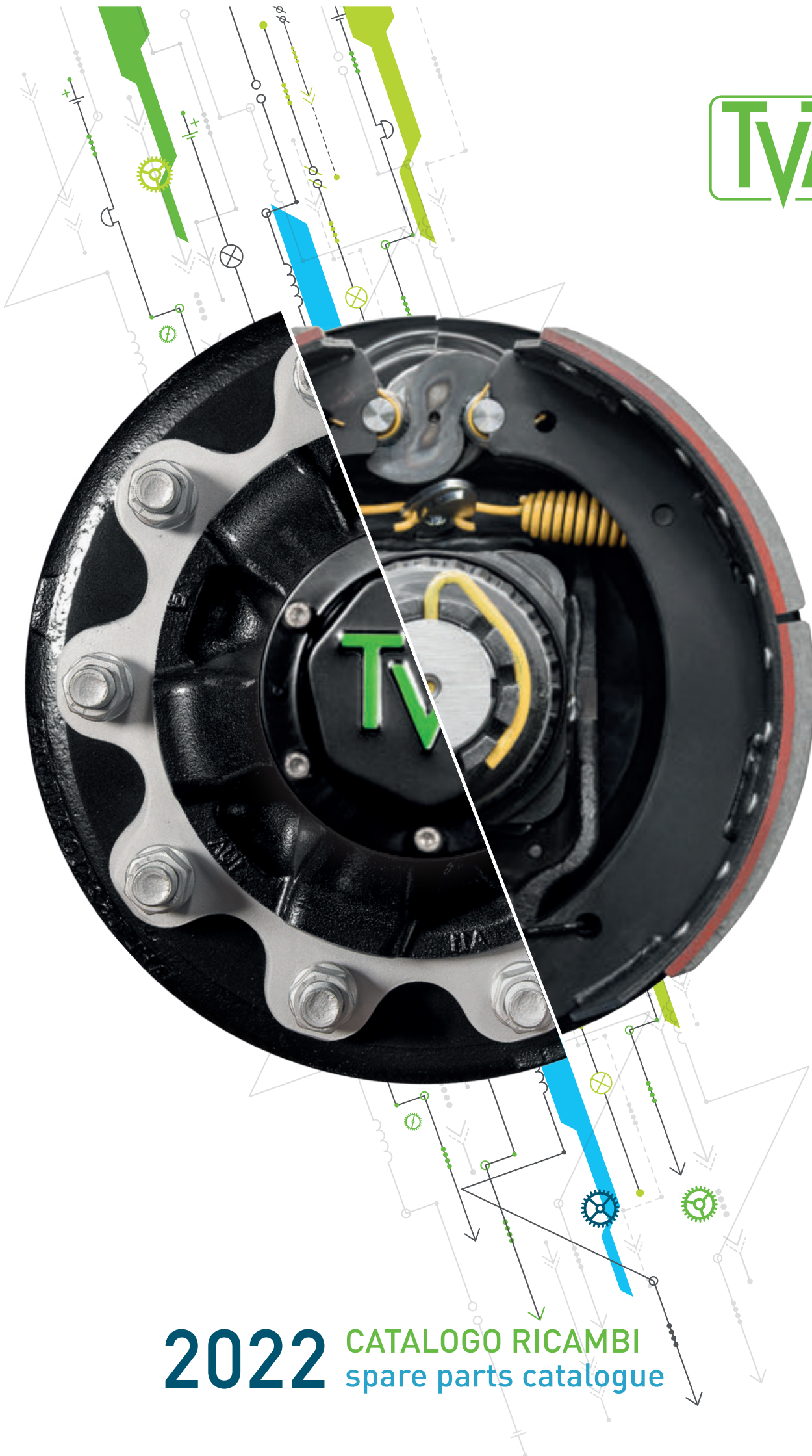
2022 CATALOGO RICAMBI spare parts catalogue





www.tvzassali.it





2022 CATALOGO RICAMBI
spare parts catalogue

Presentazione

Per facilitare la manutenzione dei suoi prodotti, TVZ srl è lieta di proporre il proprio catalogo ricambi, dove si possono trovare con facilità, tutti i componenti di cui si ha bisogno per mantenere ogni prodotto TVZ al massimo dell'efficienza.

L'ORIGINALE FA LA DIFFERENZA

La sicurezza è una caratteristica fondamentale per definire la qualità di un assale, per questo motivo vi raccomandiamo espressamente di utilizzare solo ricambi originali TVZ per le manutenzioni/riparazioni dei vostri assali. Altra caratteristica fondamentale per un buon assale è la capacità di ridurre al minimo i fermi macchina. Oggi giorno le macchine agricole sono sempre più pesanti e viaggiano molto su strada percorrendo distanze che solo pochi anni fa erano impensabili, da qui si intuisce l'importanza di montare assali di qualità e sempre al massimo delle loro performance.

TVZ srl mette al servizio dei propri clienti tutta la sua esperienza in fatto di componentistica di qualità, noto il codice del vostro assale sarà semplice risalire al componente che state cercando.

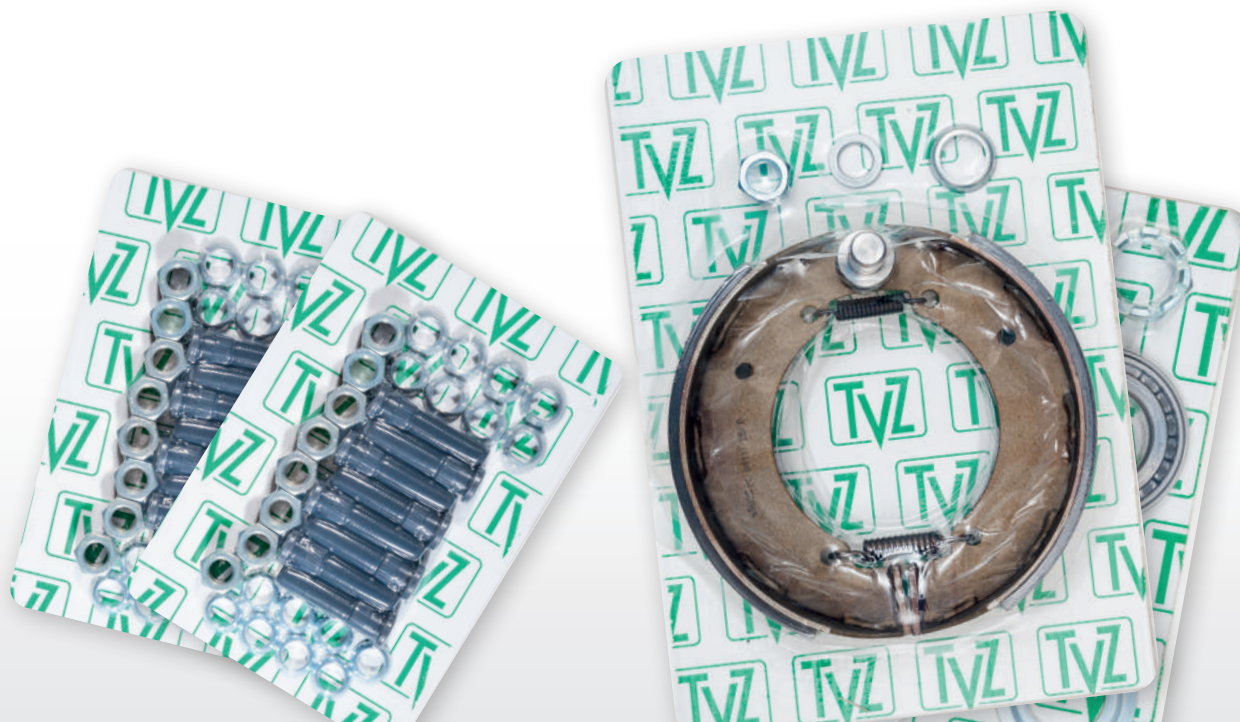
Se non riuscite a leggere la targhetta identificativa o non riuscite ad identificare il vostro assale, contattate il centro di assistenza TVZ srl, tecnici preparati vi aiuteranno ad individuare il ricambio originale TVZ srl adatto alle vostre necessità.

Solo utilizzando ricambi originali il vostro veicolo resterà sempre alla massima efficienza, garantendo per lungo tempo un costante e proficuo rendimento.

Anche nel caso che dobbiate vendere la vostra macchina, questa sarà sempre competitiva sul mercato.

Ogni prodotto è conforme ai requisiti del marchio in termini di qualità, affidabilità e sicurezza.

Attenzione:
le manutenzioni e le riparazioni degli assali TVZ srl devono essere fatte in centri autorizzati e da personale qualificato.
TVZ srl declina ogni responsabilità per eventuali inesattezze e si riserva il diritto di apportare modifiche al presente catalogo.



To make the maintenance of our products easier, TVZ is glad to offer you our catalogue of spare parts. You can easily find all the components that you need to maintain all our products at the best efficiency.

THE ORIGINAL MAKES THE DIFFERENCE

Safety is the main feature to define the quality of an axle. For this reason we recommend you to use only TVZ original spare parts for the maintenance of your axles.

Another very important feature for an axle is the capacity to reduce the stop of the machine.

Everyday the agricultural machines become heavier and they move a lot on the road to cover distances that some years ago were not possible even to think. You can easily understand how important it is to have quality axles, always on top of their performance.

TVZ put on hand of its customers all the experience for the quality components, if you know the code of your axle, then it will be easy to identify the component you were looking for.

If you cannot read the plate properly or you cannot identify your axle, please take contact with our technicians. They will help you to identify the original TVZ spare parts.

Only if you use original spare parts your vehicle will give also in the long time term the best efficiency,

In case you have to sell your machine, it will be always competitive on the market.

Each product meets all the requirements in terms of quality, reliability and safety.

Attention:
maintenance of TVZ axles must be done by qualified people only.
TVZ declines every responsibility for any mistake and reserves the right to modify this catalogue at any time.



Come identificare un assale _ How identify an axle

Ogni prodotto TVZ può essere dotato, su richiesta, della targhetta di riconoscimento sulla quale potete trovare il codice dell'assale.
Each product of TVZ can have, on demand, the identification plate. On the plate you can find the following infos.

TARGHETTA IDENTIFICATIVA _ Identification plate

PORTATA (kg) Capacity (kg)	25 km/h	14000	14000	12500	CODICE TVZ TVZ code A130108994061001 V-1301225	LOTTO DI PRODUZIONE Production lot TUEV-40 36101515 UTAC-25 13/09283
	40 km/h	13000	13000	11500		
	60 km/h	12000	12000	11000		
VERBALI FRENO Brake test reports ECE-R13 ID1-A406I ID2-406I ID3-8829 ID4-36104413 2015/68-30 ID1-A406I ID2-406I ID3-10791 ID4-36101520 2015/68-40 ID1-A406I ID2-406I ID3-9810 ID4-36108116						

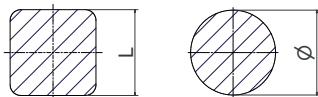
Il codice che identifica i prodotti TVZ ha la seguente struttura.
The code that identifies our products is create as follows.

Esempio:
Example: **A 130 10 899 4061 001**

TIPO DI PRODOTTO: A Assale - S Semiassale - ecc...
Type of product: A Axle - S Stub axle - etc.

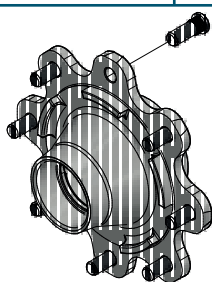
PROGRESSIVO
Progressive number

LATO DEL QUADRO DELLA BILLETTA
Type of square of the beam



N° DI COLONNETTE
Number of studs

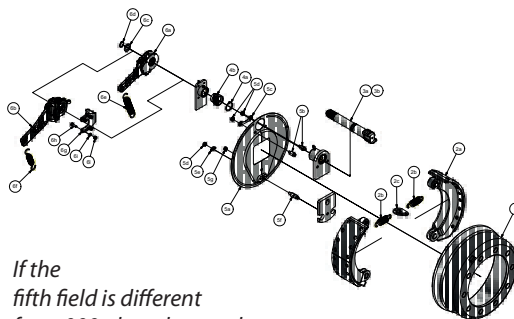
Il terzo campo si riferisce al numero di colonnette, noto il quale, sapendo se l'assale/semiassale monta o meno il freno e se l'attacco è singolo o gemellato, dalle tabelle a pagina 46 e 47 si possono identificare i codici di colonnette, dadi e rondelle.



The 3rd field refers to the number of studs. Once you know that, together with other infos such as if the axle/stub axle is braked or unbraked, if the fitting is a single or twin, please see page 46-47 you can identify the codes for studs, nuts and washers.

FRENO _ Brake

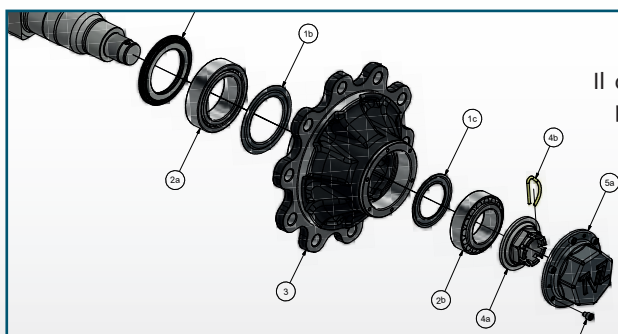
Il quinto campo se diverso da 000 identifica il tipo di freno montato sull'assale/semiassale, tramite le tabelle da pagina 50 a pagina 77 potete individuare le masse frenanti, gli alberi a camma e le leve freno adatte.



If the fifth field is different from 000, then the numbers and letters identify the type of brake that you can see on page 50-77. You can identify brakes, camshafts, and the brake levers.

TIPOLOGIA DEL MOZZO _ Type of hub

Il quarto campo identifica la famiglia del mozzo, noto questo campo si possono identificare i componenti interni al mozzo mediante le tabelle da pagina 10 a pagina 43: tenute, cuscinetti, nilos, dadi ad intagli, spine elastiche e calotte.



The 4th field identifies the family of the hub. Once you know that, you can identify the internal components with the table that you can find on page: 10-43 sealings, bearings, nilos, crown nut, elastic pin and caps.

Tipologia del mozzo_Type of hub 9

Type 412..... 10	Type 550..... 19	Type 648..... 28	Type 880..... 36
Type 420..... 11	Type 555..... 20	Type 660..... 29	Type 888..... 37
Type 431..... 12	Type 630..... 21	Type 661..... 30	Type 898..... 38
Type 440..... 13	Type 640..... 22	Type 662..... 31	Type 899..... 39
Type 520..... 14	Type 641..... 23	Type 663..... 32	Type 991..... 40
Type 521..... 15	Type 642..... 24	Type 668..... 33	Type 994..... 41
Type 530..... 16	Type 644..... 25	Type 671..... 34	Type 996..... 42
Type 535..... 17	Type 645..... 26	Type 672..... 35	Type 998..... 43
Type 540..... 18	Type 646..... 27		

Attacchi_Fittings 45

Wheel studs..... 46	Wheel nuts..... 47
---------------------	--------------------

Freni_Brakes 49

140 - 140x30..... 50	6R - 300x60 Inertia..... 56	35S - 350x80..... 61	316I - 300x160..... 68
20M - 200x40..... 51	30S - 300x90..... 57	35Q - 350x90..... 62	316V - 300x160..... 70
25M - 250x60..... 52	9I - 300x90 Hydraulic... 58	40G - 400x80..... 63	406I - 406x120..... 72
30M - 300x60..... 53	9T - 300x90 Inertia..... 59	310I - 300x100..... 64	406P - 406x140..... 74
30G - 300x60..... 54	35G - 350x60..... 60	314I - 300x135..... 66	420I - 420x180..... 76
6Y - 300x60 Hydraulic... 55			

ABS 79

310I - 300x100..... 80	316I - 300x160..... 82	406P - 406x140..... 84
314I - 300x135..... 81	406I - 406x120..... 83	420I - 420x180..... 85

Cilindri freno_Brake cylinders 87

Fixed axles..... 88	Fixed axles..... 89	Steering axles..... 90
---------------------	---------------------	------------------------

Assali sterzanti_Steering axles 91

SQL - Self steering..... 92	SQR - Self steering..... 94	SQS - Self steering..... 96
SQL - Forced steering... 93	SQR - Forced steering... 95	SQS - Forced steering... 97

Semiassi sterzanti_Steering stubaxles 99

"Y" type light..... 100	"L" type 431..... 102	"L" type 640..... 104	"L" type 671..... 106
"Y" type strong..... 101	"L" type 540..... 103	"L" type 661..... 105	"L" type 898..... 107

Dischi frangizolle_Disk roller scrapers 109

Screwed version..... 110	Welded version..... 111
--------------------------	-------------------------

Optional_Optional 112

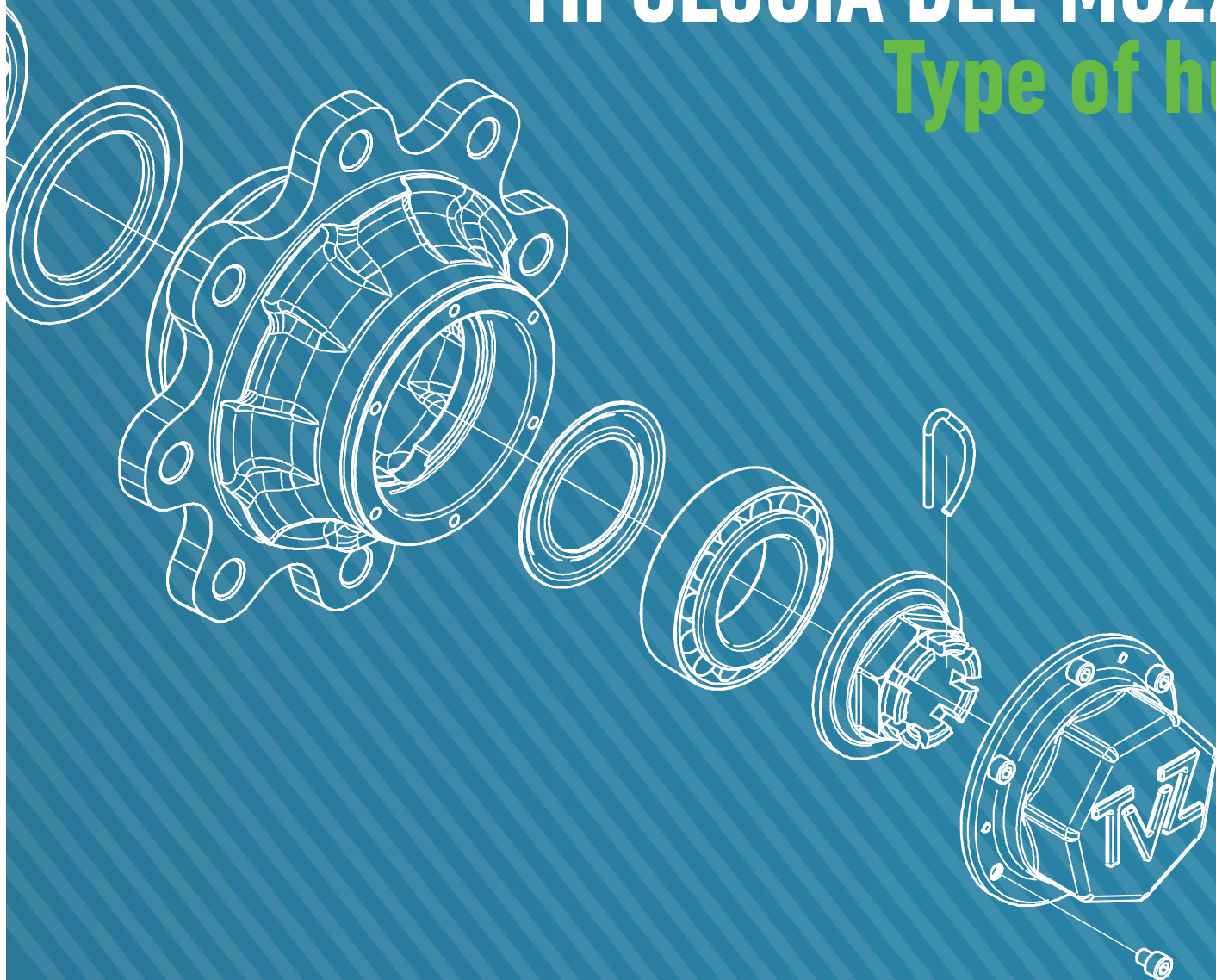
Mud guard..... 112	Steering corrector..... 113	Compensator..... 113
--------------------	-----------------------------	----------------------



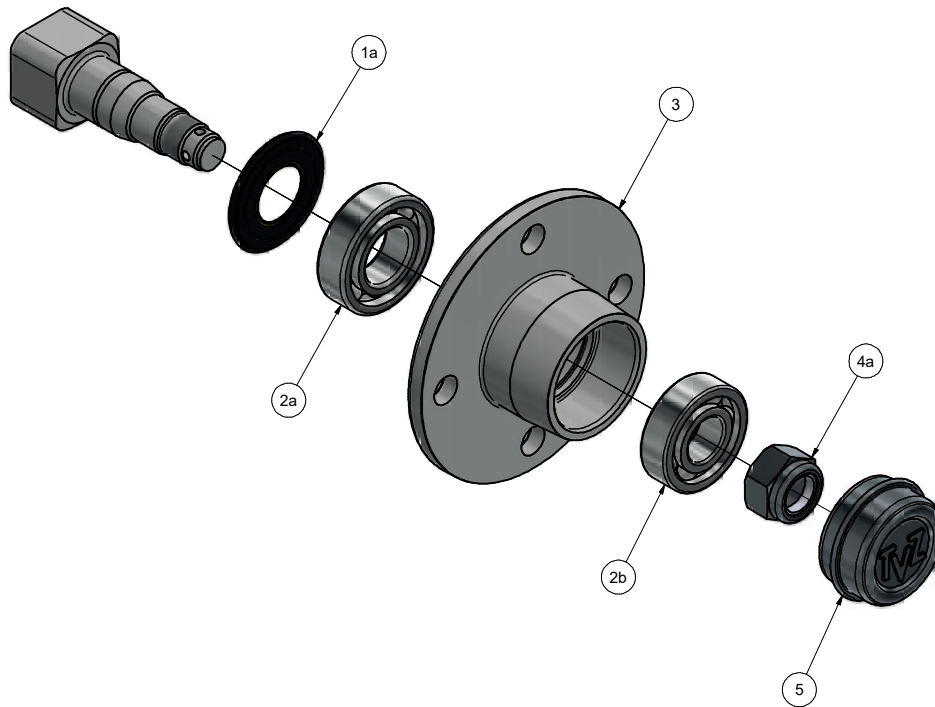


TIPOLOGIA DEL MOZZO

Type of hub

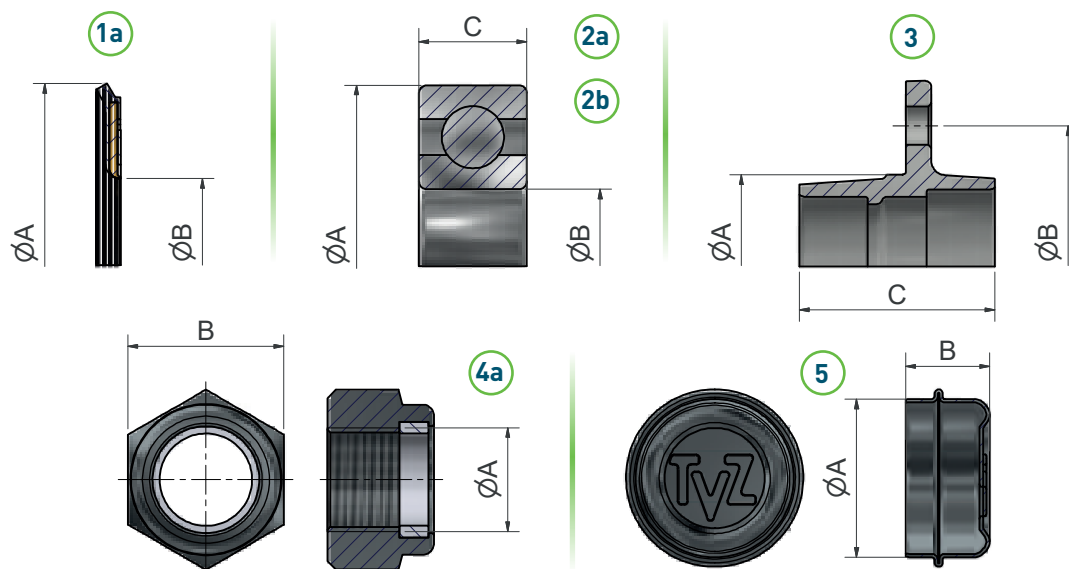


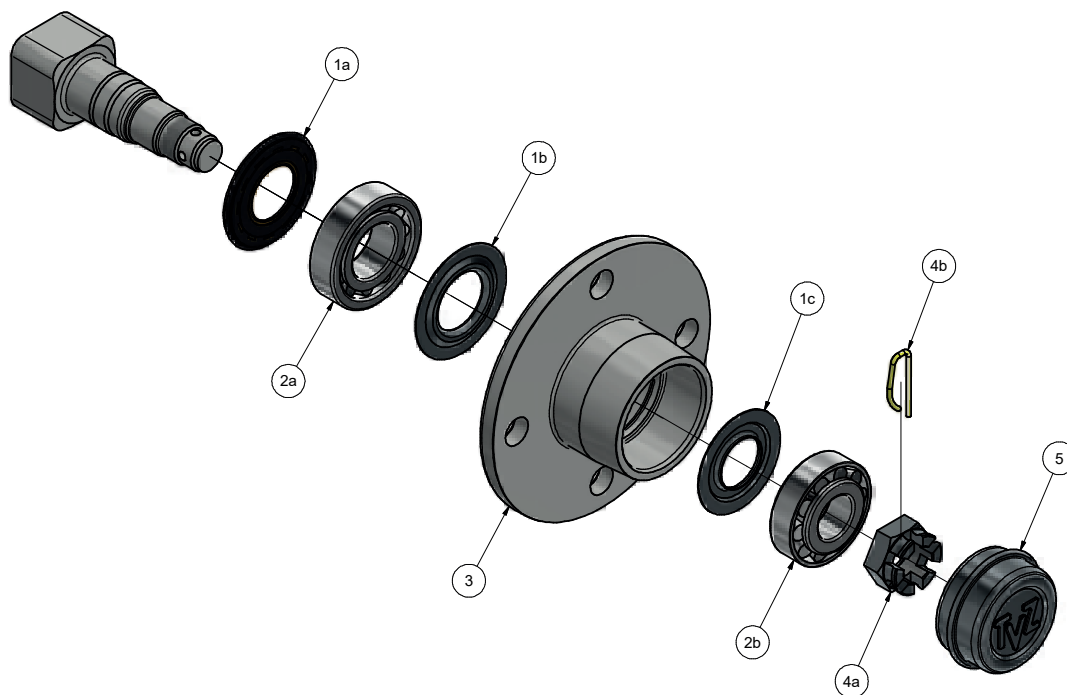
Type 412



(1) In case of grease nipple or threaded cap, please contact our sales office.

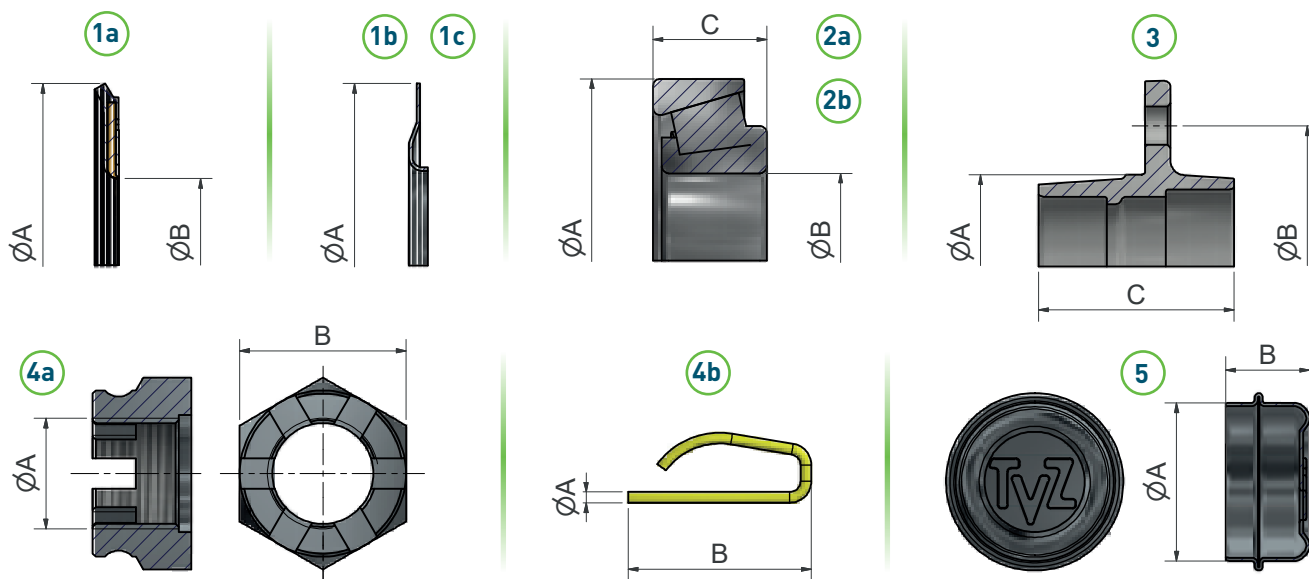
Hub type	Item	Description	Code	A	B	C	Q.ty	Kit code	
412	1a	Agr. Seal	S5410521	52	25	-	4	OSP41201	
	2a	Bearing 6205	S5946205-2RS1	52	25	15	2	OSP41202	
	2b	Bearing 6204	S5946204-2RS1	47	20	14	2		
	3		Hub 4 holes M12x1,5	[1] S61L4BA002	58	98	66	1	S61L4BA002
			Hub 4 holes M12x1,5	[1] S61LBBA002	62	95	66	1	S61LBBA002
			Hub 4 holes M12x1,5	[1] S61LABA002	60	100	66	1	S61LABA002
			Hub 4 holes M12x1,5	[1] S61LZBA014	57	100	66	1	S61LZBA014
	4a	Self locking nut	S57918B1	M18x1,5	27	-	4	OSPD1801	
5		TVZ cap	S56104705	47	25	-	4	OSPT4701	
		Neutral cap	S56104702	47	25	-	4	OSPT47A1	



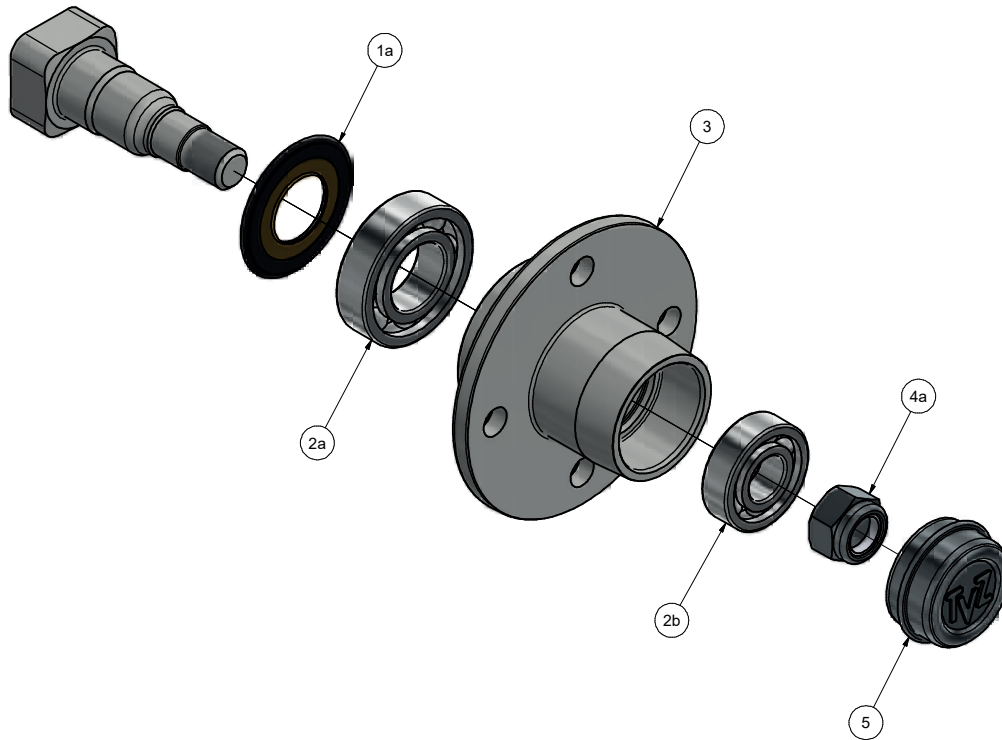


(1) In case of grease nipple or threaded cap, please contact our sales office.

Hub type	Item	Description	Code	A	B	C	Q.ty	Kit code	
420	1a	Agr. Seal	S5410521	52	25	-	4	OSP42001	
	1b	Nilos 30205	S5510521	52	-	-	4		
	1c	Nilos 30204	S5510471	47	-	-	4		
	2a	Bearing 30205	S59130205	52	25	16,25	2	OSP42002	
	2b	Bearing 30204	S59130204	47	20	15,25	2		
	3		Hub 4 holes M12x1,5	(1) S61L4BA002	58	98	66	1	S61L4BA002
			Hub 4 holes M12x1,5	(1) S61LBBA002	62	95	66	1	S61LBBA002
			Hub 4 holes M12x1,5	(1) S61LABA002	60	100	66	1	S61LABA002
			Hub 4 holes M12x1,5	(1) S61LZBA014	57	100	66	1	S61LZBA014
	4a	Crown nut	S57518B1	M18x1,5	27	-	4	OSPD1802	
4b	Spring pin	S58201	2	34	-	4			
5		TVZ cap	S56104705	47	25	-	4	OSPT4701	
		Neutral cap	S56104702	47	25	-	4	OSPT47A1	

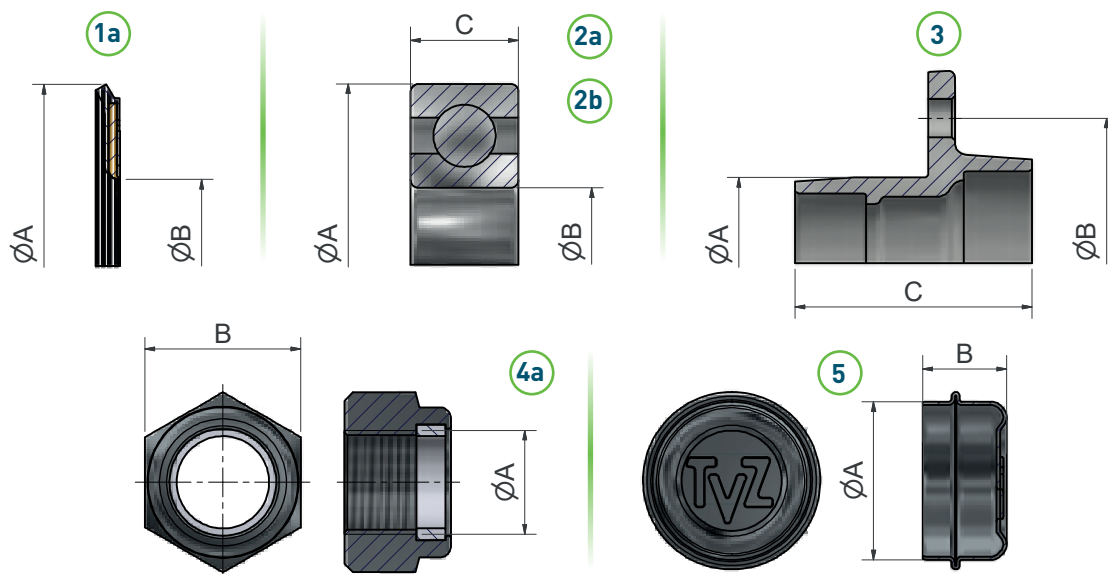


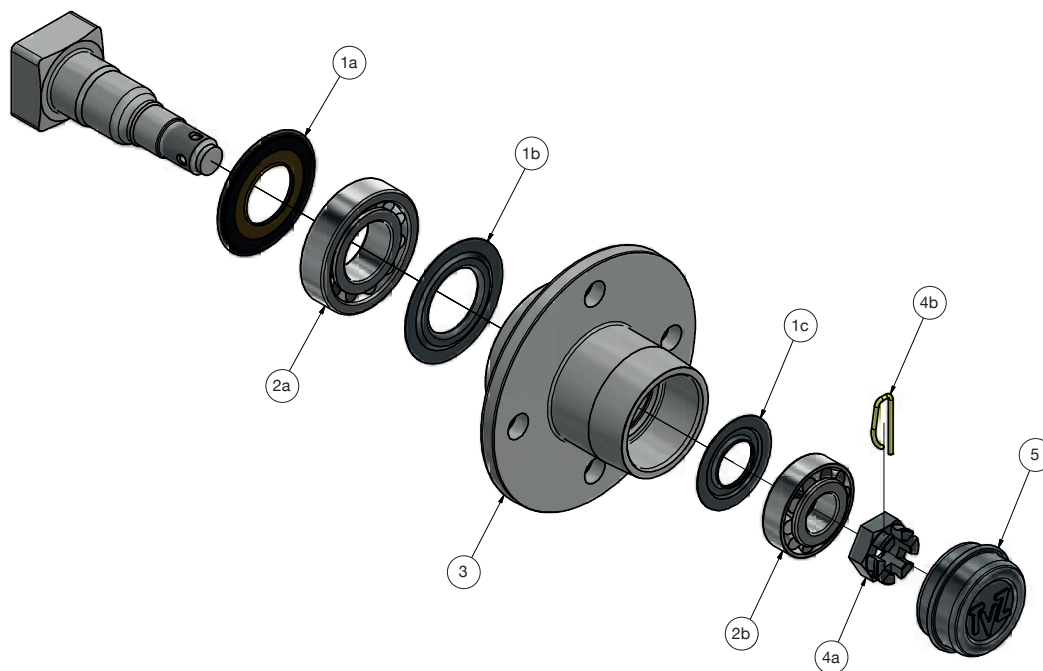
Type 431



(1) In case of grease nipple or threaded cap, please contact our sales office.

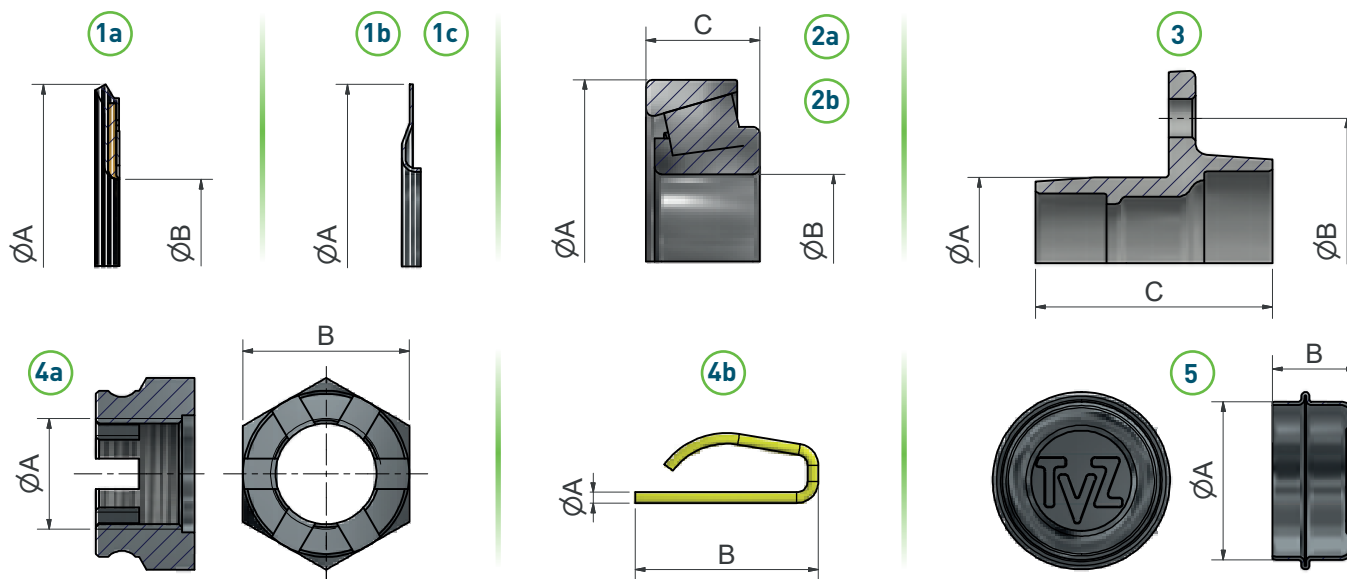
Hub type	Item	Description	Code	A	B	C	Q.ty	Kit code	
431	1a	Agr. Seal	S5410621	62	30	-	4	OSP43101	
	2a	Bearing 6206	S5946206-2RS1	62	30	16	2	OSP43102	
	2b	Bearing 6204	S5946204-2RS1	47	20	14	2		
	3		Hub 4 holes M12x1,5	[1] S61L4DA001	58	98	80	1	S61L4DA001
			Hub 4 holes M12x1,5	[1] S61LBDA001	62	95	80	1	S61LBDA001
			Hub 4 holes M12x1,5	[1] S61LADA001	60	100	80	1	S61LADA001
			Hub 4 holes M12x1,5	[1] S61LZDA001	57	100	80	1	S61LZDA001
	4a	Self locking nut	S57918B1	M18x1,5	27	-	4	OSPD1801	
	5		TVZ cap	S56104705	47	25	-	4	OSPT4701
		Neutral cap	S56104702	47	25	-	4	OSPT47A1	



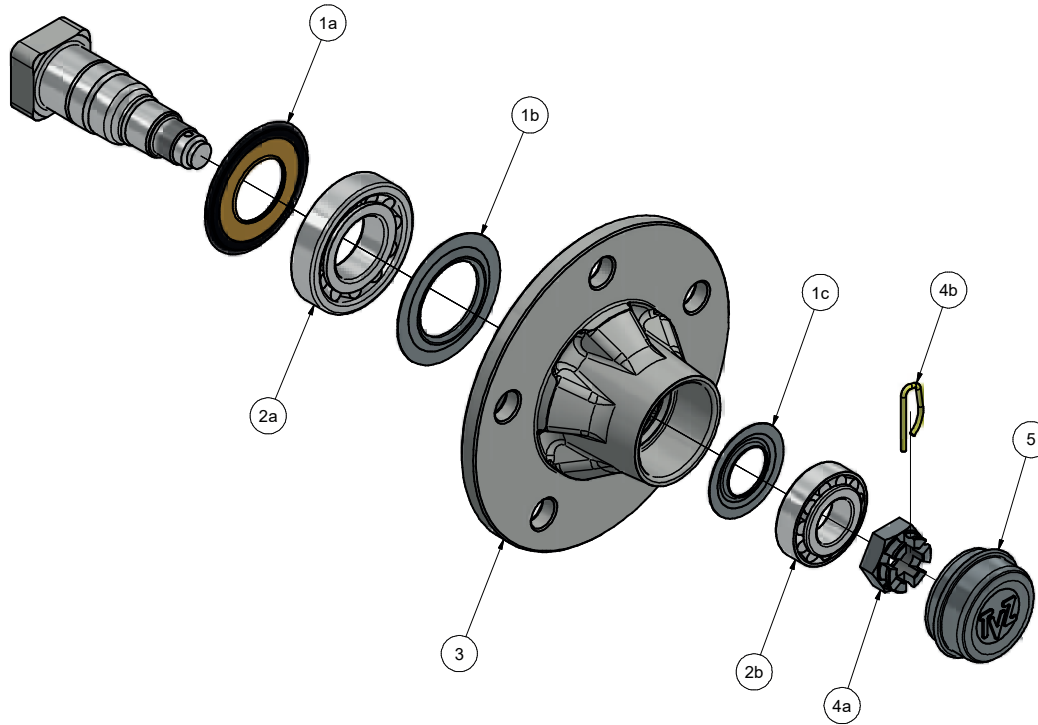


(1) In case of grease nipple or threaded cap, please contact our sales office.

Hub type	Item	Description	Code	A	B	C	Q.ty	Kit code	
440	1a	Agr. Seal	S5410621	62	30	-	4	OSP44001	
	1b	Nilos 30206	S5510621	62	-	-	4		
	1c	Nilos 30204	S5510471	47	-	-	4		
	2a	Bearing 30206	S59130206	62	30	17,25	2	OSP44002	
	2b	Bearing 30204	S59130204	47	20	15,25	2		
	3		Hub 4 holes M12x1,5	(1) S61L4DA001	58	98	80	1	S61L4DA001
			Hub 4 holes M12x1,5	(1) S61LBDA001	62	95	80	1	S61LBDA001
			Hub 4 holes M12x1,5	(1) S61LADA001	60	100	80	1	S61LADA001
			Hub 4 holes M12x1,5	(1) S61LZDA001	57	100	80	1	S61LZDA001
	4a	Crown nut	S57518B1	M18x1,5	27	-	4	OSPD1802	
4b	Spring pin	S58201	2	34	-	4			
5		TVZ cap	S56104705	47	25	-	4	OSPT4701	
		Neutral cap	S56104702	47	25	-	4	OSPT47A1	

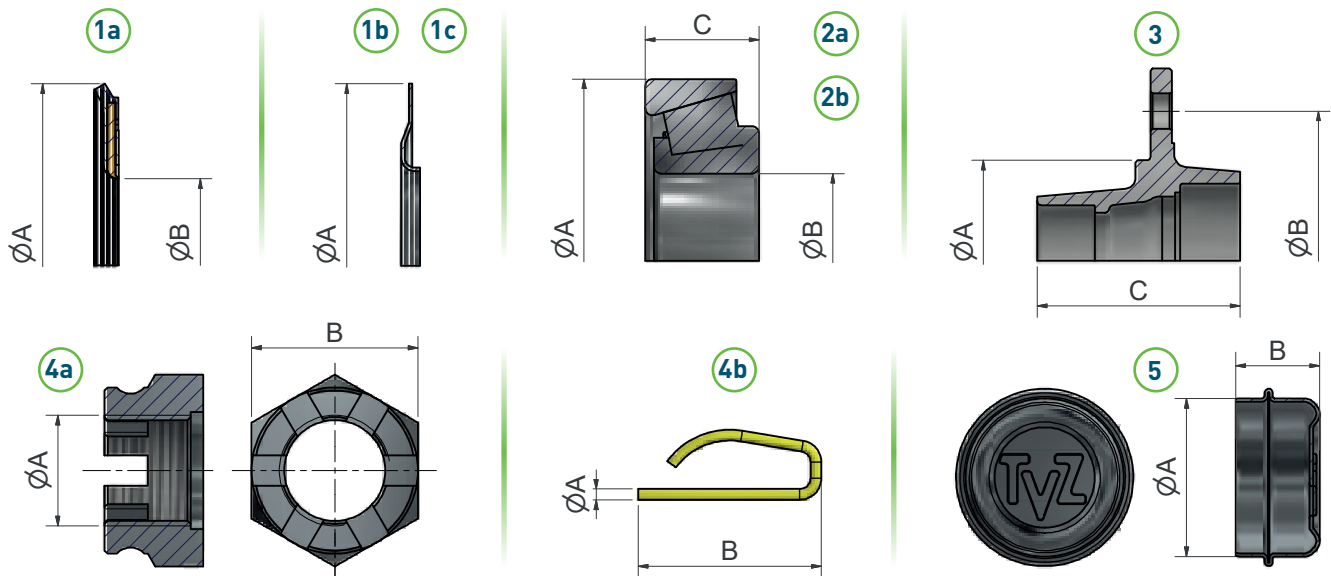


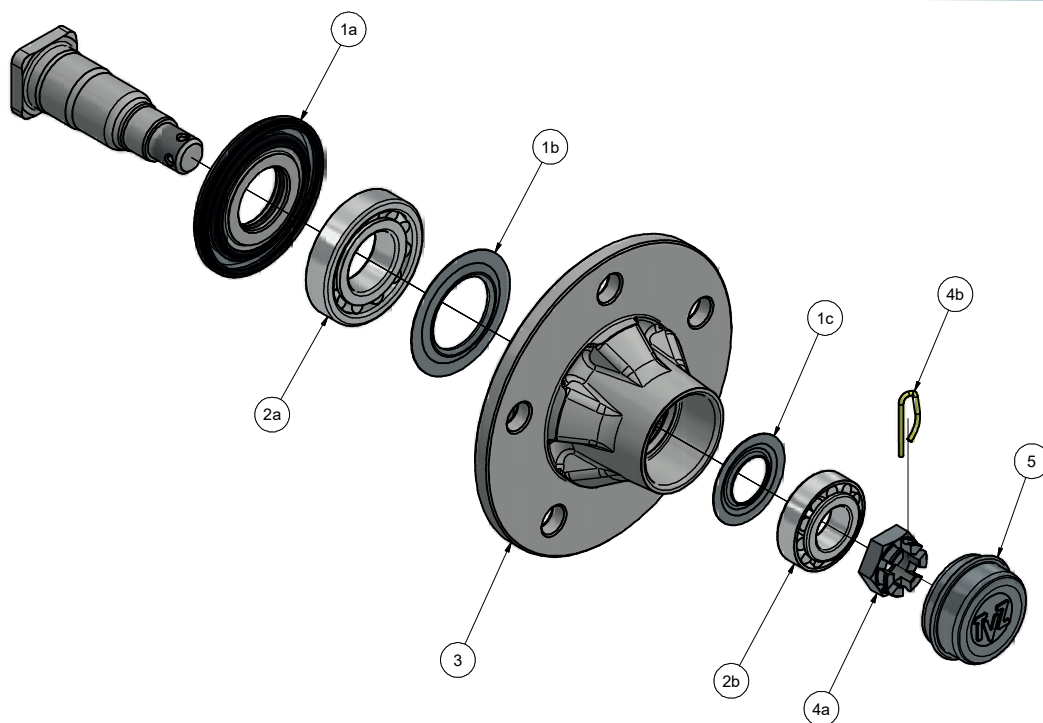
Type 520



(1) In case of grease nipple or threaded cap, please contact our sales office.

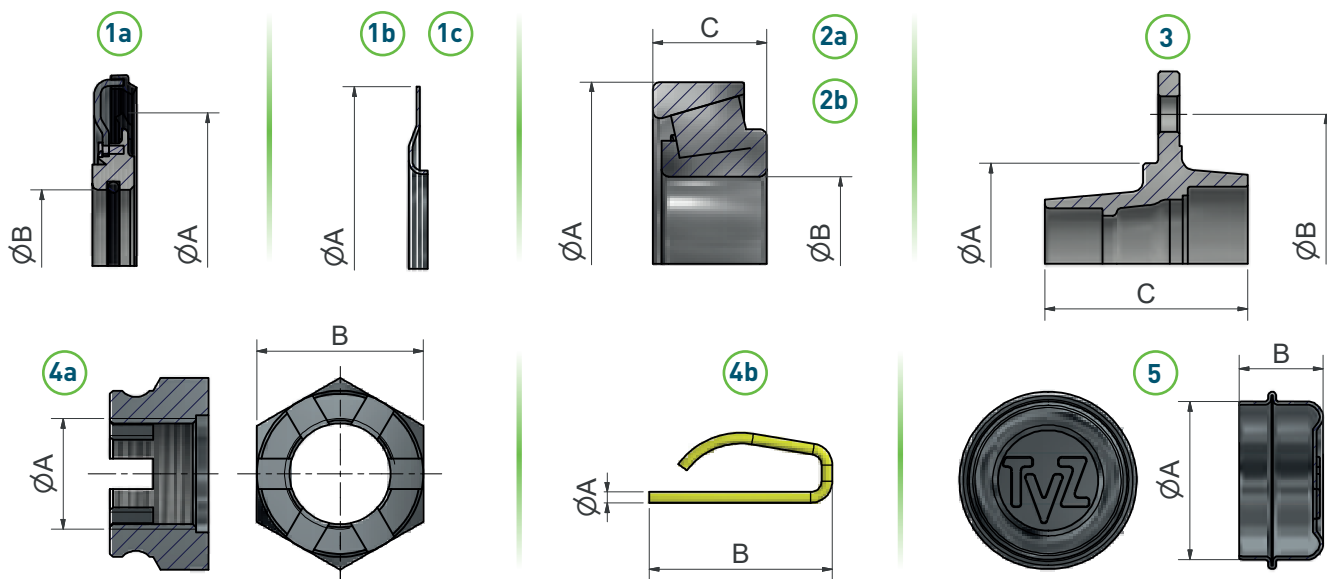
Hub type	Item	Description	Code	A	B	C	Q.ty	Kit code
520	1a	Agr. Seal	S5410721	72	35	-	4	OSP52001
	1b	Nilos 30207	S5510721	72	-	-	4	
	1c	Nilos 30205	S5510521	52	-	-	4	
	2a	Bearing 30207	S59130207	72	35	18,25	2	OSP52002
	2b	Bearing 30205	S59130205	52	25	16,25	2	
	3	Hub 5 holes M16x1,5	(1) S61L5GA002	94	140	95	1	S61L5GA002
		Hub 5 holes M14x1,5	(1) S61L6GA002	66	112	95	1	S61L6GA002
		Hub 4 holes M16x1,5	(1) S61LCGA007	84	130	95	1	S61LCGA007
	4a	Crown nut	S57520B1	M20x1,5	32	-	4	OSPD2001
	4b	Spring pin	S58202	2,5	38	-	4	
5	TVZ cap	S56105206	52	27	-	4	OSPT5201	
	Neutral cap	S56105202	52	27	-	4	OSPT52A1	



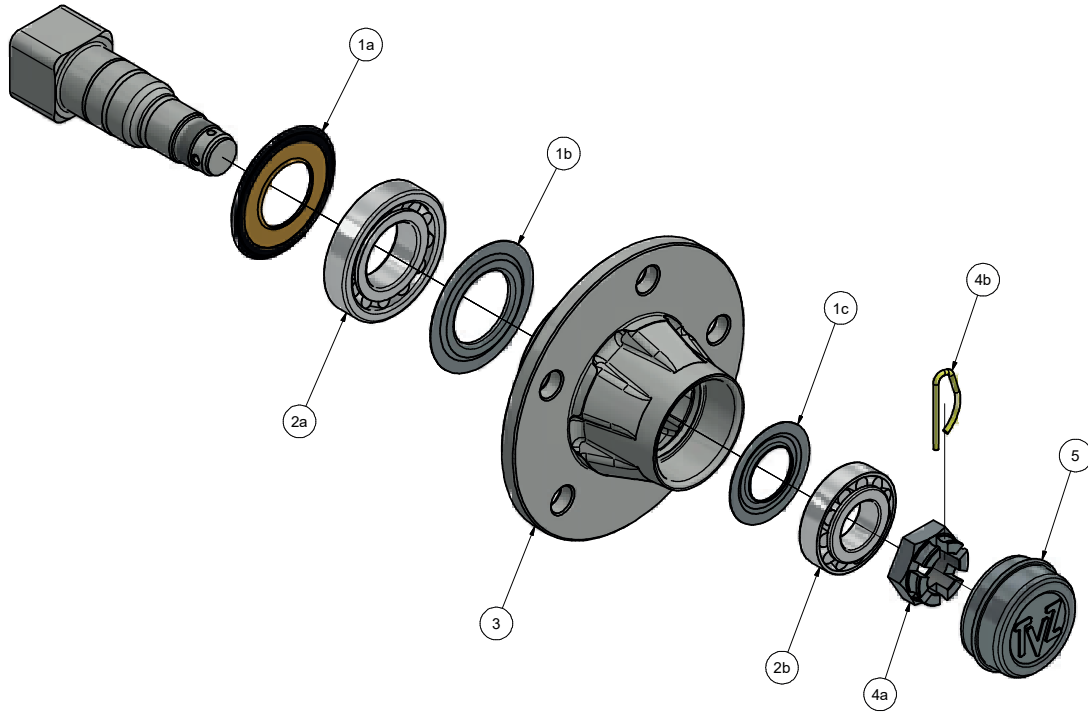


(1) In case of grease nipple or threaded cap, please contact our sales office.

Hub type	Item	Description	Code	A	B	C	Q.ty	Kit code
521	1a	Seal with dust cover	S5430721	72	35	-	4	OSP52101
	1b	Nilos 30207	S5510721	72	-	-	4	
	1c	Nilos 30205	S5510521	52	-	-	4	
	2a	Bearing 30207	S59130207	72	35	18,25	2	OSP52002
	2b	Bearing 30205	S59130205	52	25	16,25	2	
	3	Hub 5 holes M16x1,5	(1) S61L5GA002T	94	140	95	1	S61L5GA002T
		Hub 5 holes M14x1,5	(1) S61LGA002T	66	112	95	1	S61LGA002T
		Hub 4 holes M16x1,5	(1) S61LCGA007T	84	130	95	1	S61LCGA007T
	4a	Crown nut	S57520B1	M20x1,5	32	-	4	OSPD2001
	4b	Spring pin	S58202	2,5	38	-	4	
5	TVZ cap	S56105206	52	27	-	4	OSPT5201	
	Neutral cap	S56105202	52	27	-	4	OSPT52A1	

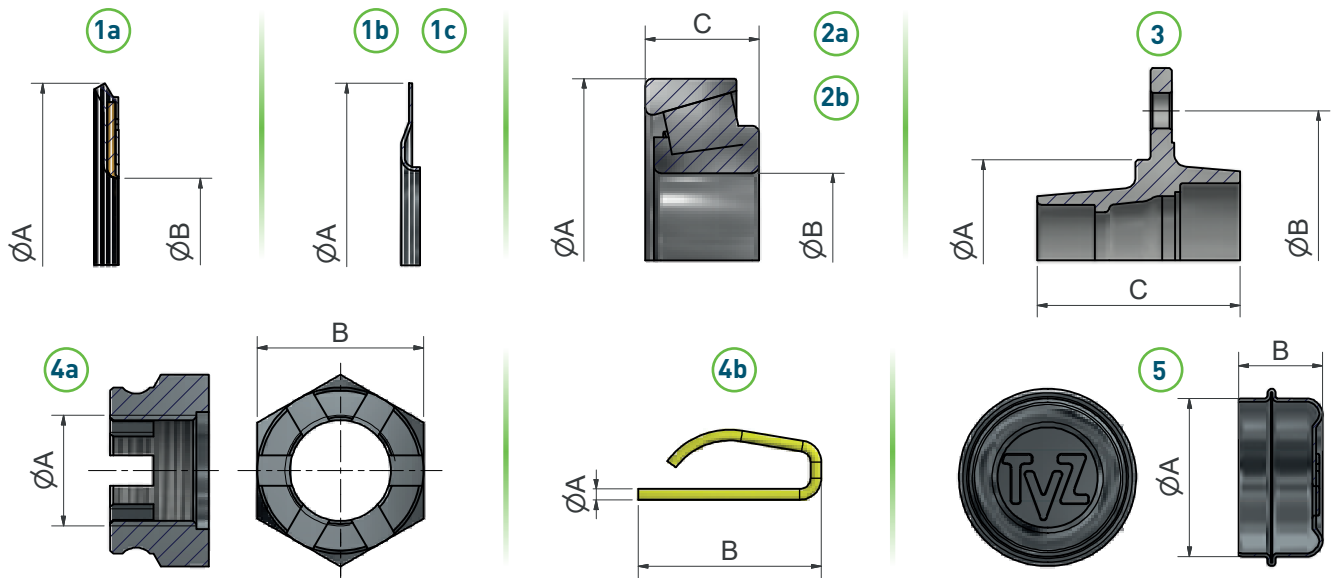


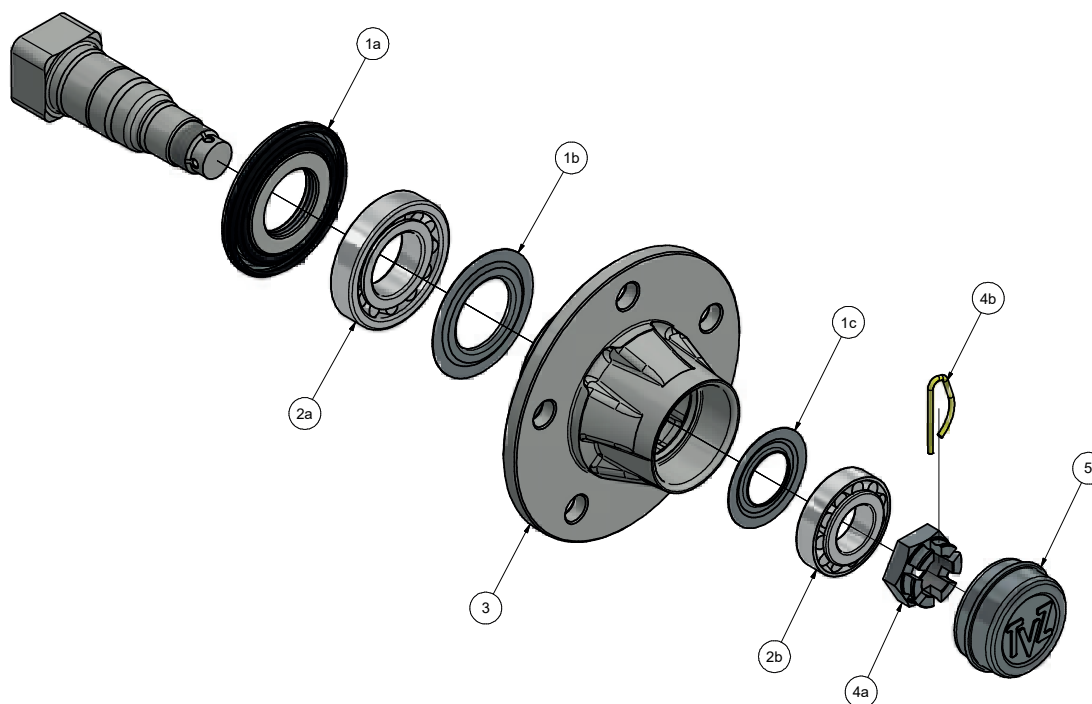
Type 530



(1) In case of grease nipple or threaded cap, please contact our sales office.

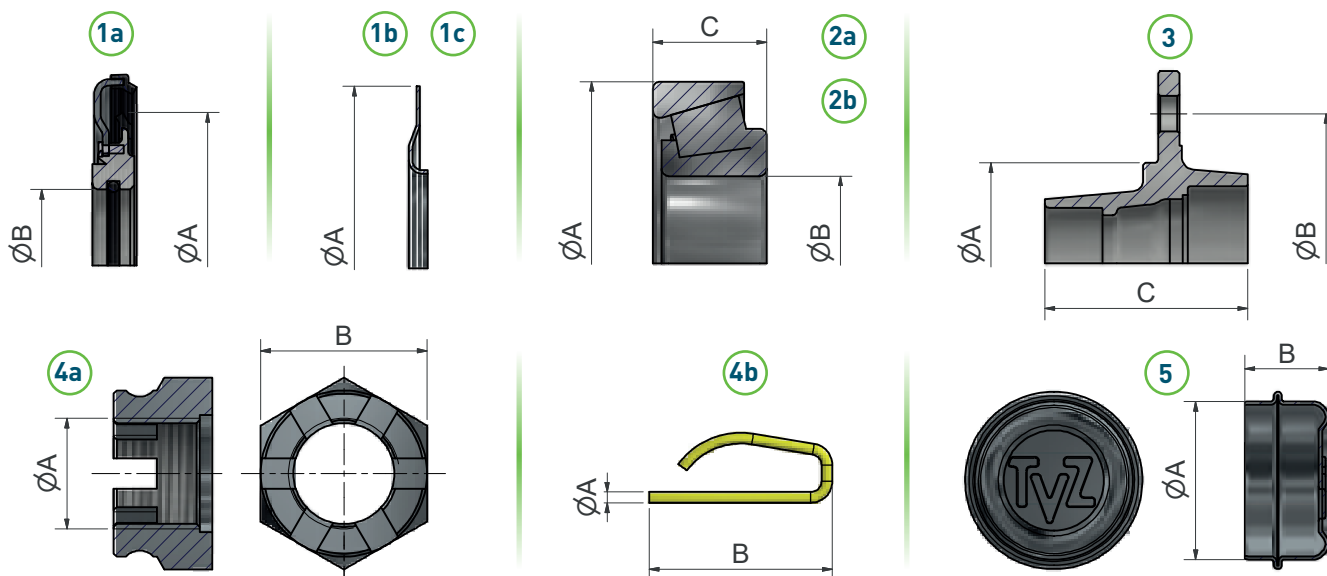
Hub type	Item	Description	Code	A	B	C	Q.ty	Kit code
530	1a	Agr. Seal	S5410801	80	40	-	4	OSP53001
	1b	Nilos 30208	S5510801	80	-	-	4	
	1c	Nilos 30206	S5510621	62	-	-	4	
	2a	Bearing 30208	S59130208	80	40	19,75	2	OSP53002
	2b	Bearing 30206	S59130206	62	30	17,25	2	
	3	Hub 5 holes M16X1,5	(1) S61L5IA001	94	140	100	1	S61L5IA001
	4a	Crown nut	S57527B1	M27x1,5	41	-	4	OSPD2701
	4b	Spring pin	S58204	3	50	-	4	
	5	TVZ cap	S56106210	62	31	-	4	OSPT6201
	Neutral cap	S56106202	62	31	-	4	OSPT62A1	



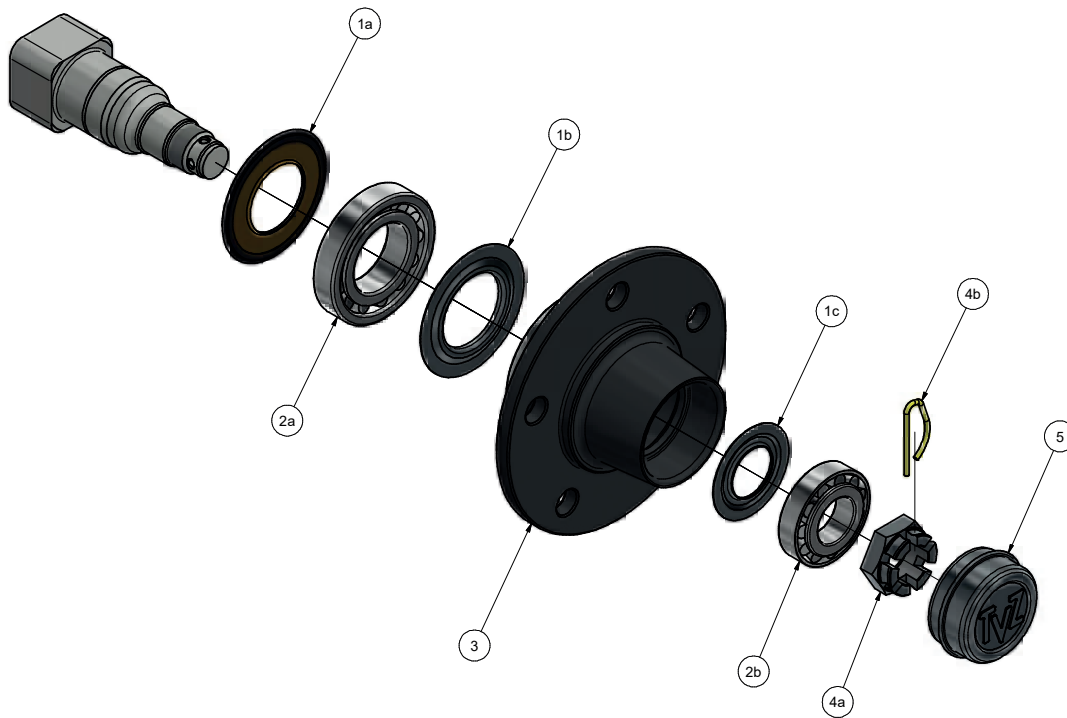


(1) In case of grease nipple or threaded cap, please contact our sales office.

Hub type	Item	Description	Code	A	B	C	Q.ty	Kit code
535	1a	Seal with dust cover	S5430801	80	42	-	4	OSP53501
	1b	Nilos 30208	S5510801	80	-	-	4	
	1c	Nilos 30206	S5510621	62	-	-	4	
	2a	Bearing 30208	S59130208	80	40	19,75	2	OSP53002
	2b	Bearing 30206	S59130206	62	30	17,25	2	
	3	Hub 5 holes M16X1,5	(1) S61L5IA001	94	140	100	1	S61L5IA001
	4a	Crown nut	S57527B1	M27x1,5	41	-	4	OSPD2701
	4b	Spring pin	S58204	3	50	-	4	
	5	TVZ cap	S56106210	62	31	-	4	OSPT6201
	Neutral cap	S56106202	62	31	-	4	OSPT62A1	

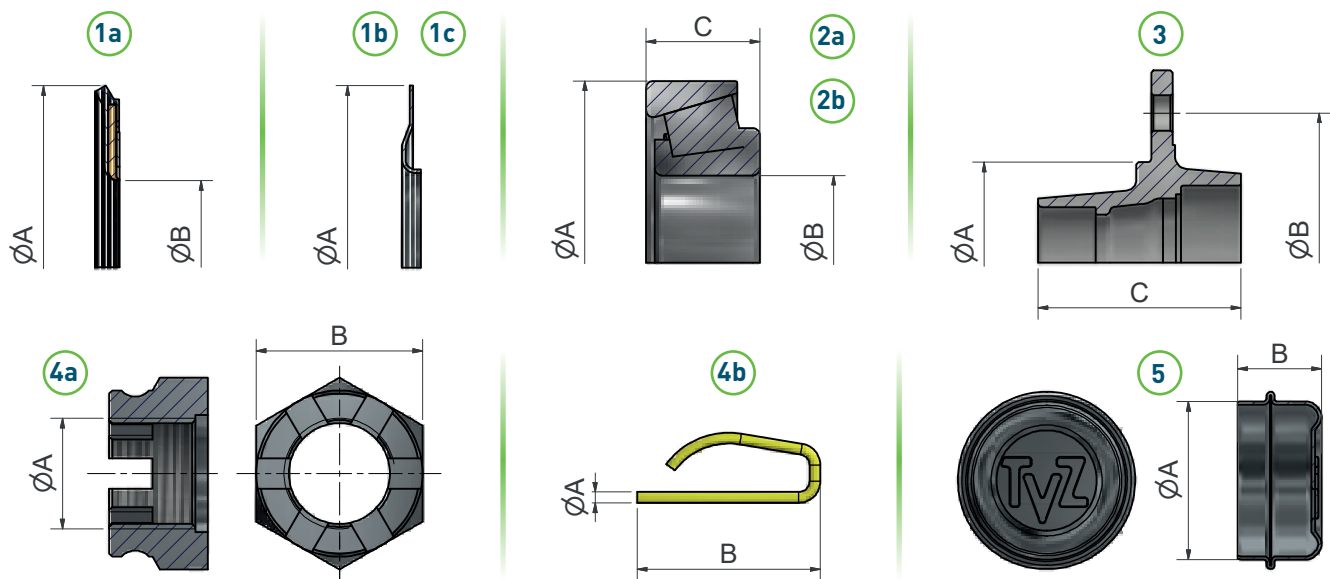


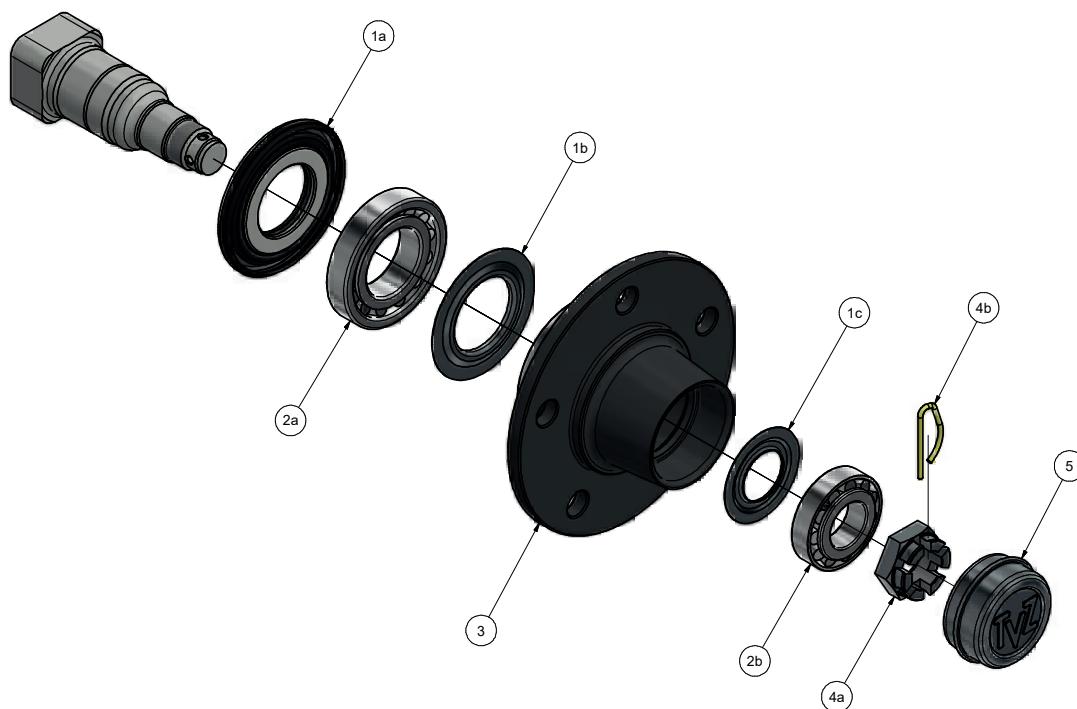
Type 540



(1) In case of grease nipple or threaded cap, please contact our sales office.

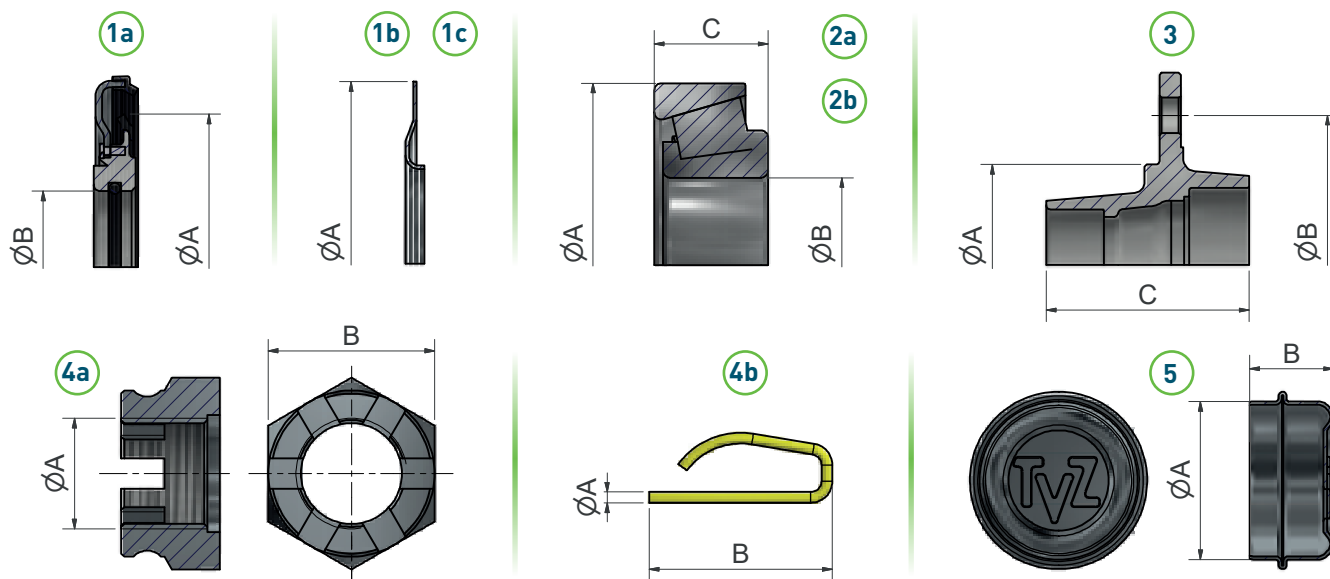
Hub type	Item	Description	Code	A	B	C	Q.ty	Kit code
540	1a	Agr. Seal	S5410851	85	45	-	4	OSP54001
	1b	Nilos 30209	S5510851	85	-	-	4	
	1c	Nilos 30206	S5510621	62	-	-	4	
	2a	Bearing 30209	S59130209	85	45	20,75	2	OSP54002
	2b	Bearing 30206	S59130206	62	30	17,25	2	
	3	Hub 5 holes M16X1,5	(1) S61L5JA028	94	140	100	1	S61L5JA028
		Hub 6 holes M18X1,5	(1) S61L6JA016	160	205	100	1	S61L6JA016
	4a	Crown nut	S57527B1	M27x1,5	41	-	4	OSPD2701
	4b	Spring pin	S58204	3	50	-	4	
5	TVZ cap	S56106210	62	31	-	4	OSPT6201	
	Neutral cap	S56106202	62	31	-	4	OSPT62A1	



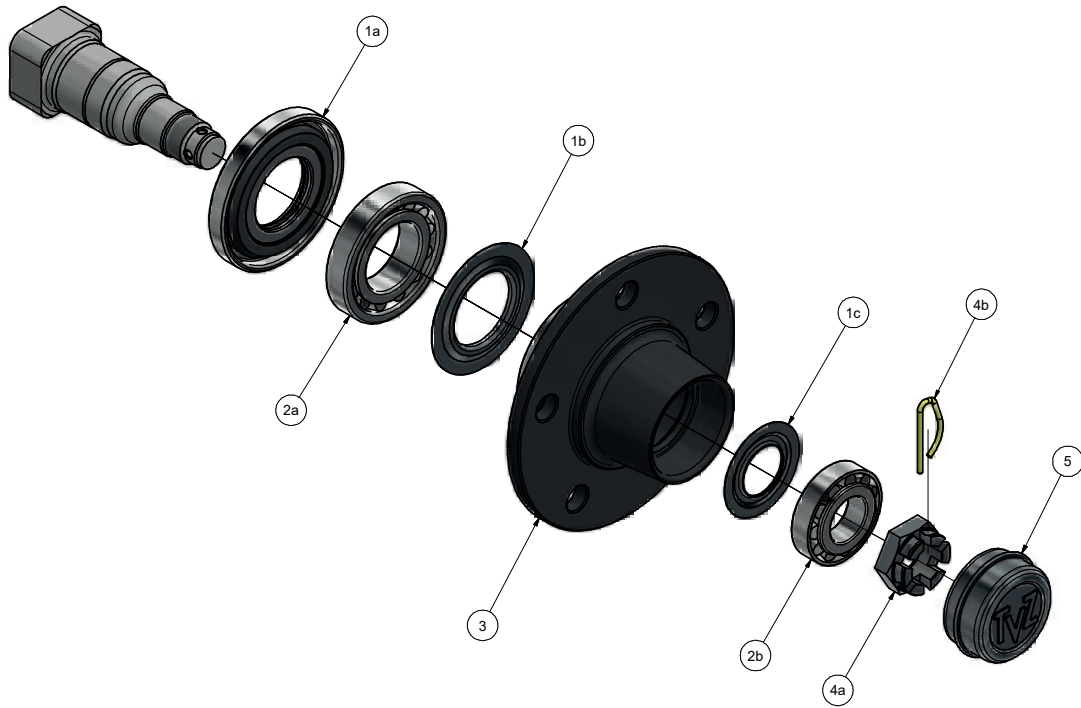


(1) In case of grease nipple or threaded cap, please contact our sales office.

Hub type	Item	Description	Code	A	B	C	Q.ty	Kit code
550	1a	Seal with dust cover	S5430851	85	47	-	4	OSP55001
	1b	Nilos 30209	S5510851	85	-	-	4	
	1c	Nilos 30206	S5510621	62	-	-	4	
	2a	Bearing 30209	S59130209	85	45	20,75	2	OSP54002
	2b	Bearing 30206	S59130206	62	30	17,25	2	
	3	Hub 5 holes M16X1,5	(1) S61L5JA028	94	140	100	1	S61L5JA028
		Hub 6 holes M18X1,5	(1) S61L6JA016	160	205	100	1	S61L6JA016
	4a	Crown nut	S57527B1	M27x1,5	41	-	4	OSPD2701
	4b	Spring pin	S58204	3	50	-	4	
5	TVZ cap	S56106210	62	31	-	4	OSPT6201	
	Neutral cap	S56106202	62	31	-	4	OSPT62A1	

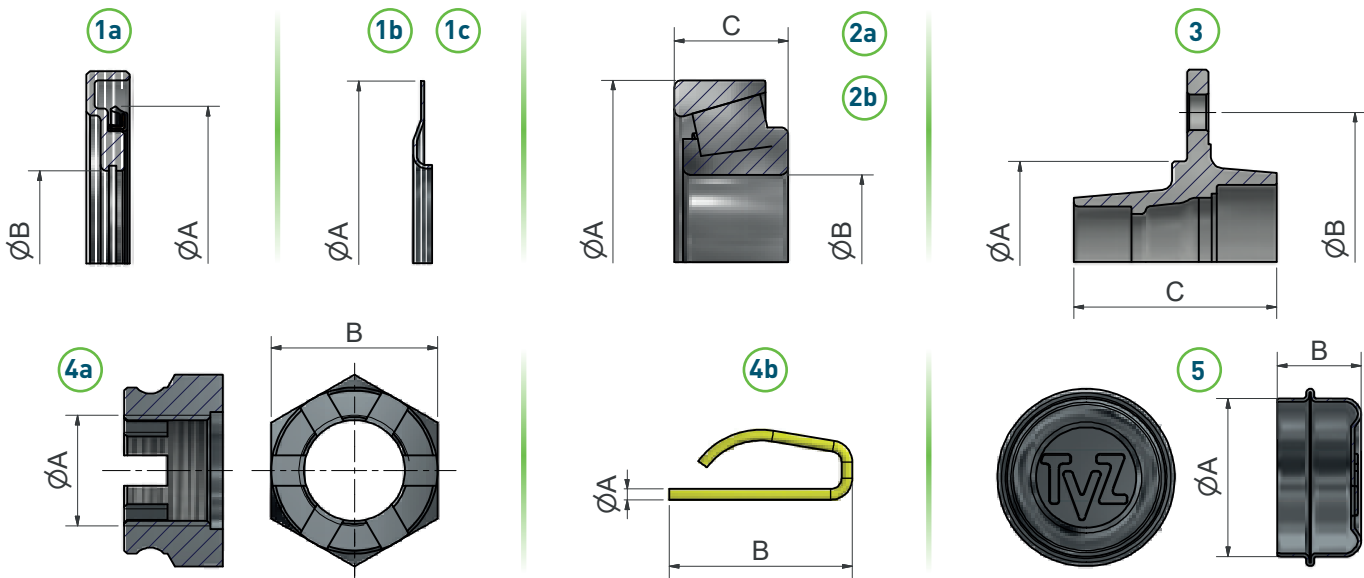


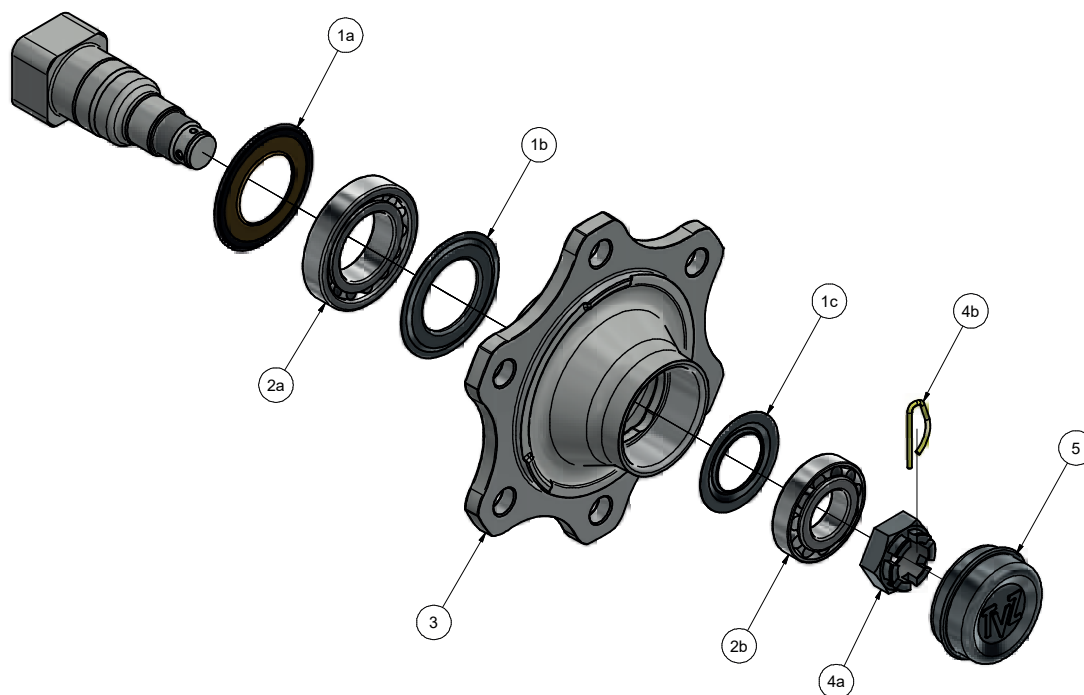
Type 555



(1) In case of grease nipple or threaded cap, please contact our sales office.

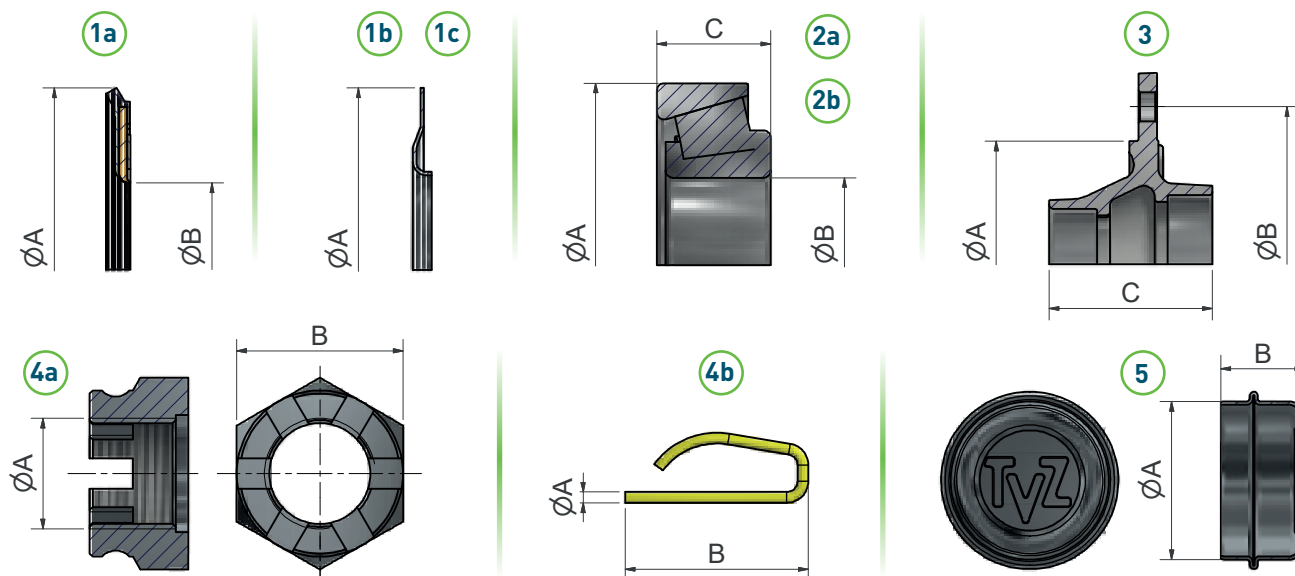
Hub type	Item	Description	Code	A	B	C	Q.ty	Kit code
555	1a	Seal with dust cover	S5470852	85	47	-	4	OSP55501
	1b	Nilos 30209	S5510851	85	-	-	4	
	1c	Nilos 30206	S5510621	62	-	-	4	
	2a	Bearing 30209	S59130209	85	45	20,75	2	OSP54002
	2b	Bearing 30206	S59130206	62	30	17,25	2	
	3	Hub 5 holes M16X1,5 (1)	S61L5JA028	94	140	100	1	S61L5JA028
		Hub 6 holes M18X1,5 (1)	S61L6JA016	160	205	100	1	S61L6JA016
	4a	Crown nut	S57527B1	M27x1,5	41	-	4	OSPD2701
	4b	Spring pin	S58204	3	50	-	4	
5	TVZ cap	S56106210	62	31	-	4	OSPT6201	
	Neutral cap	S56106202	62	31	-	4	OSPT62A1	



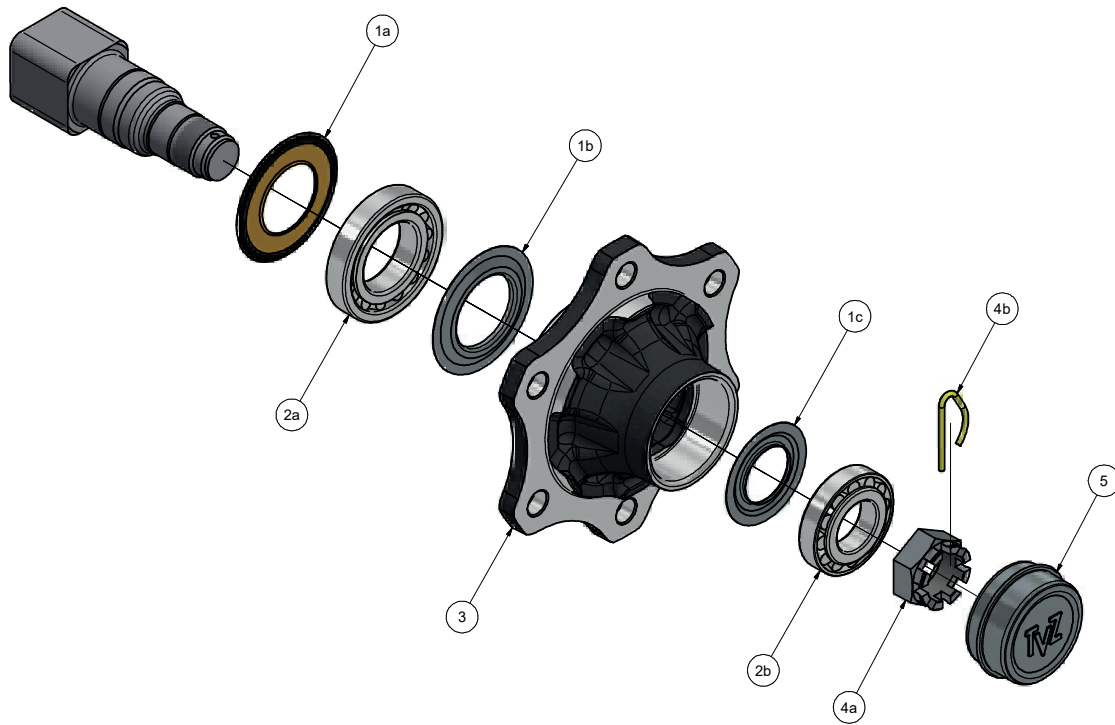


(1) In case of grease nipple or threaded cap, please contact our sales office.

Hub type	Item	Description	Code	A	B	C	Q.ty	Kit code
630	1a	Agr. Seal	S5410901	90	50	-	2	OSP63001
	1b	Nilos 30210	S5510901	90	-	-	2	
	1c	Nilos 30207	S5510721	72	-	-	2	
	2a	Bearing 30210	S59130210	90	50	21,75	1	OSP63002
	2b	Bearing 30207	S59130207	72	35	18,25	1	
	3	Hub 6 holes M18X1,5	(1) S61L6KA002	160	205	106	1	S61L6KA002
	4a	Crown nut	S57530B2	M30x1,5	46	-	4	OSPD3001
	4b	Spring pin	S58204	3	50	-	4	
	5	TVZ cap	S56107206	72	33	-	4	OSPT7201
Neutral cap		S56107202	72	33	-	4	OSPT72A1	

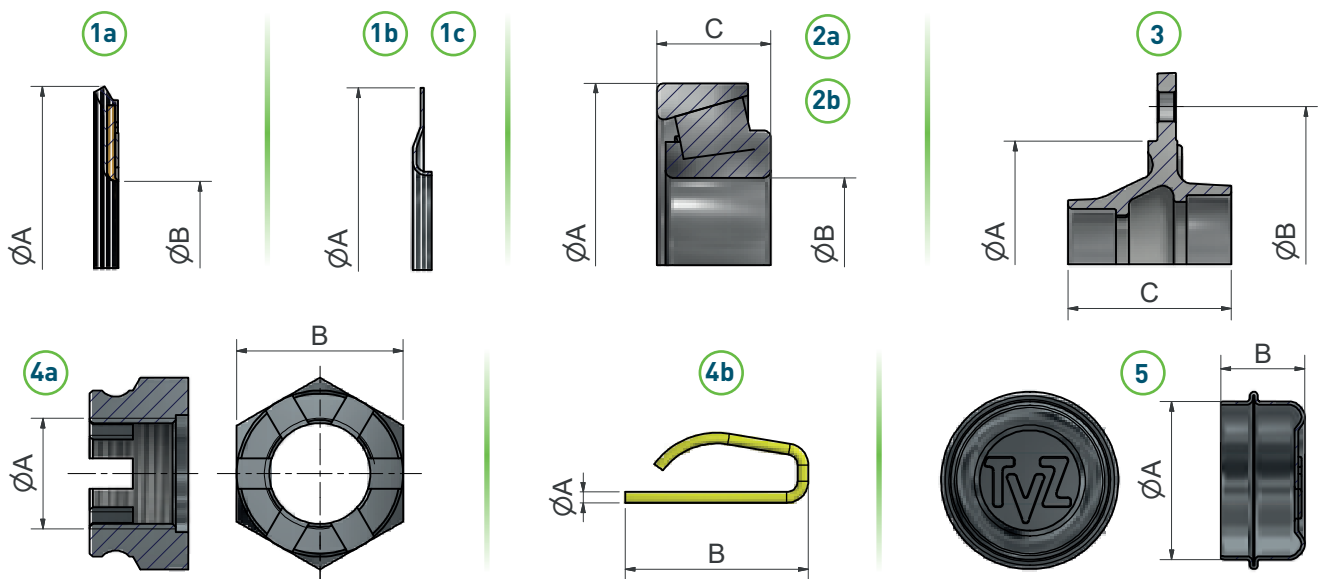


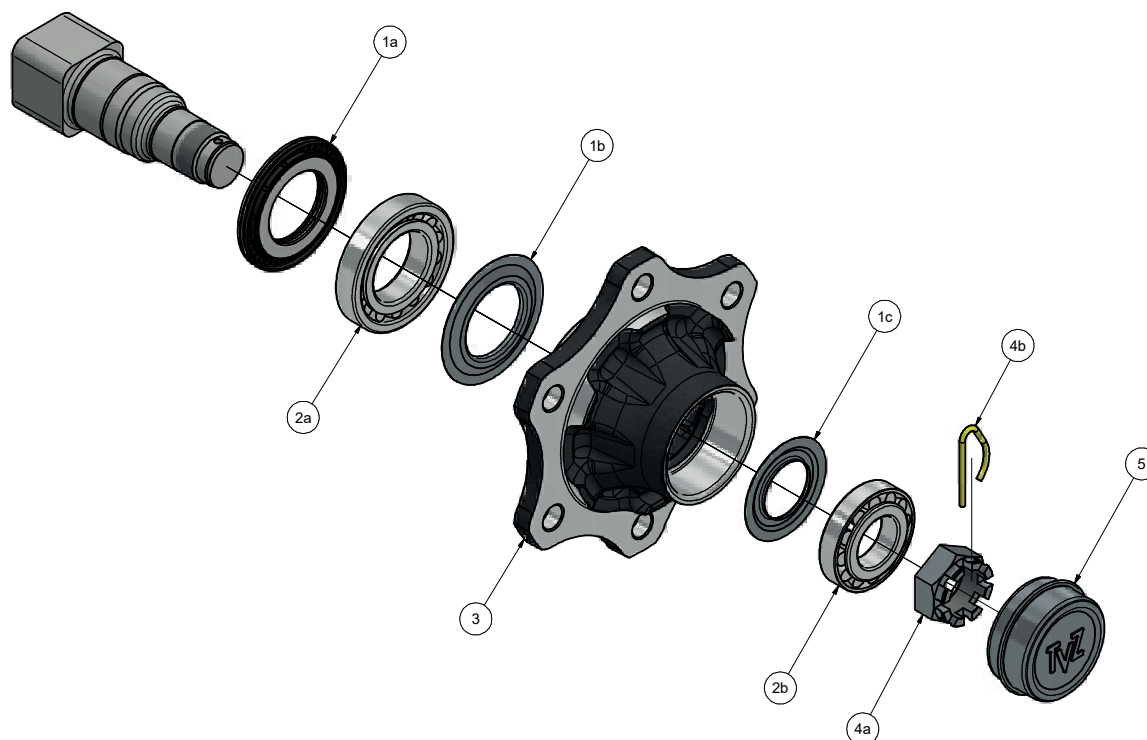
Type 640



(1) In case of grease nipple or threaded cap, please contact our sales office.

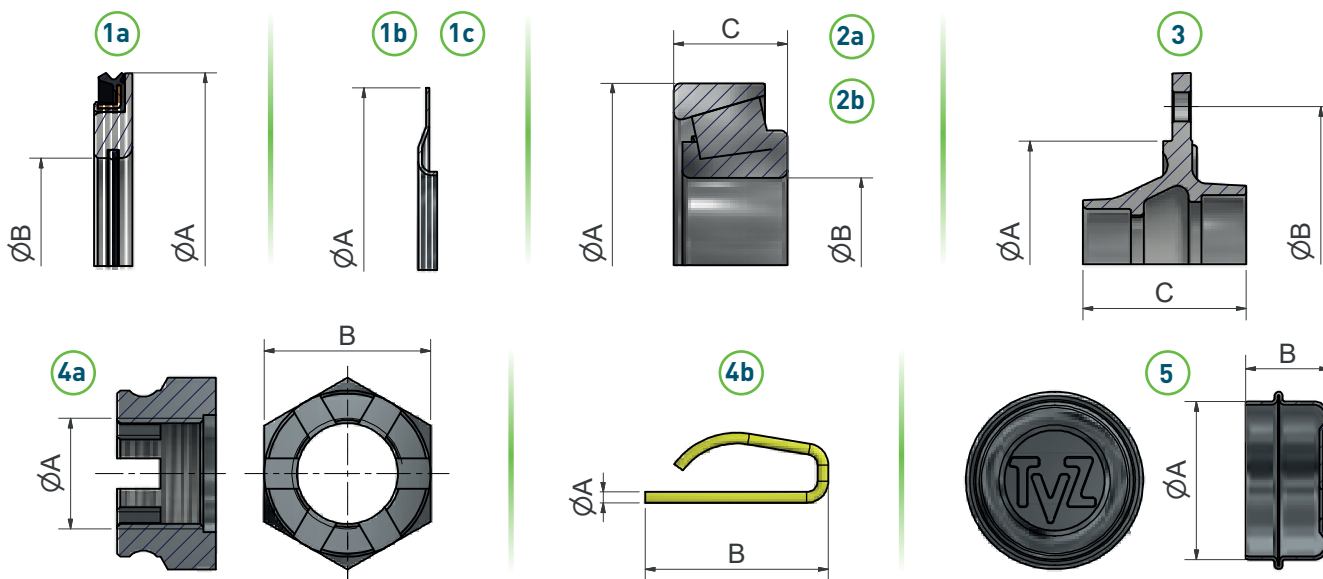
Hub type	Item	Description	Code	A	B	C	Q.ty	Kit code
640	1a	Agr. Seal	S5411001	100	55	-	2	OSP64001
	1b	Nilos 30211	S5511001	100	-	-	2	
	1c	Nilos 30208	S5510801	80	-	-	2	
	2a	Bearing 30211	S59130211	100	55	22,75	1	OSP64002
	2b	Bearing 30208	S59130208	80	40	19,75	1	
	3	Hub 6 holes M18X1,5	(1) S61L6LA001	160	205	118	1	S61L6LA001
	4a	Crown nut	S57539B1	M39x1,5	50	-	4	OSPD3901
	4b	Spring pin	S58205	4	64	-	4	
	5	TVZ cap	S56108009	80	39	-	4	OSPT8001
	Neutral cap	S56108002	80	39	-	4	OSPT80A1	



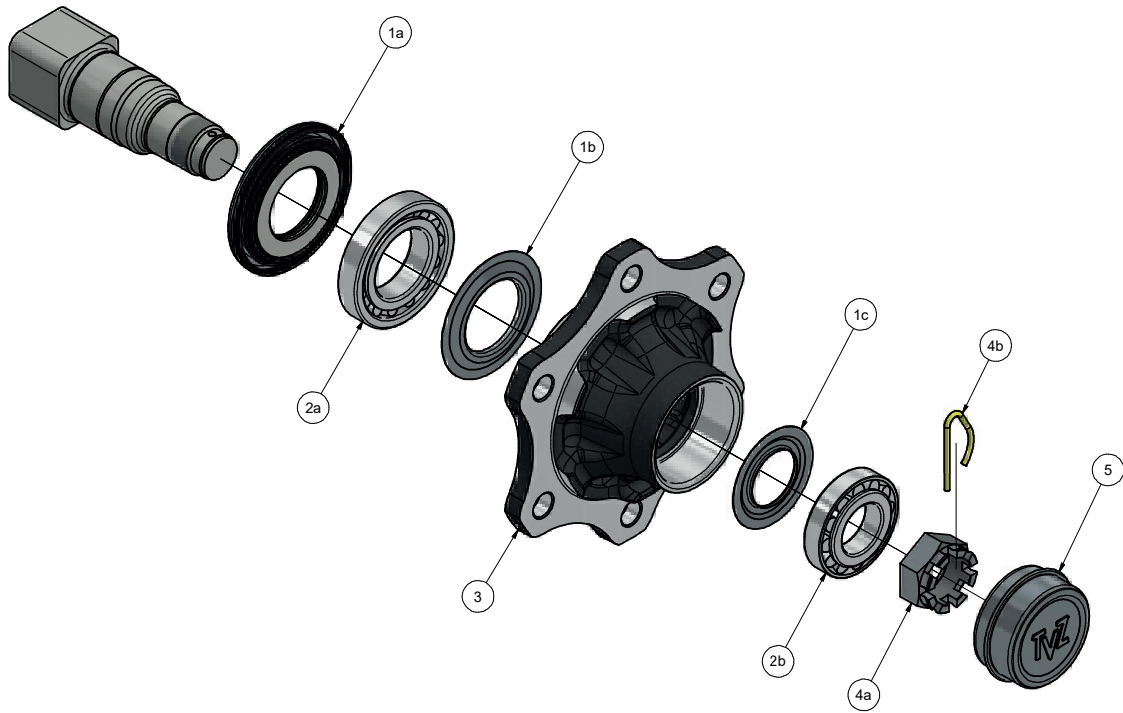


(1) In case of grease nipple or threaded cap, please contact our sales office.

Hub type	Item	Description	Code	A	B	C	Q.ty	Kit code
641	1a	Ind. Seal	S5441001	100	56	-	2	OSP64101
	1b	Nilos 30211	S5511001	100	-	-	2	
	1c	Nilos 30208	S5510801	80	-	-	2	
	2a	Bearing 30211	S59130211	100	55	22,75	1	OSP64002
	2b	Bearing 30208	S59130208	80	40	19,75	1	
	3	Hub 6 holes M18X1,5	(1) S61L6LA001	160	205	118	1	S61L6LA001
	4a	Crown nut	S57539B1	M39x1,5	50	-	4	OSPD3901
	4b	Spring pin	S58205	4	64	-	4	
	5	TVZ cap	S56108009	80	39	-	4	OSPT8001
	Neutral cap	S56108002	80	39	-	4	OSPT80A1	

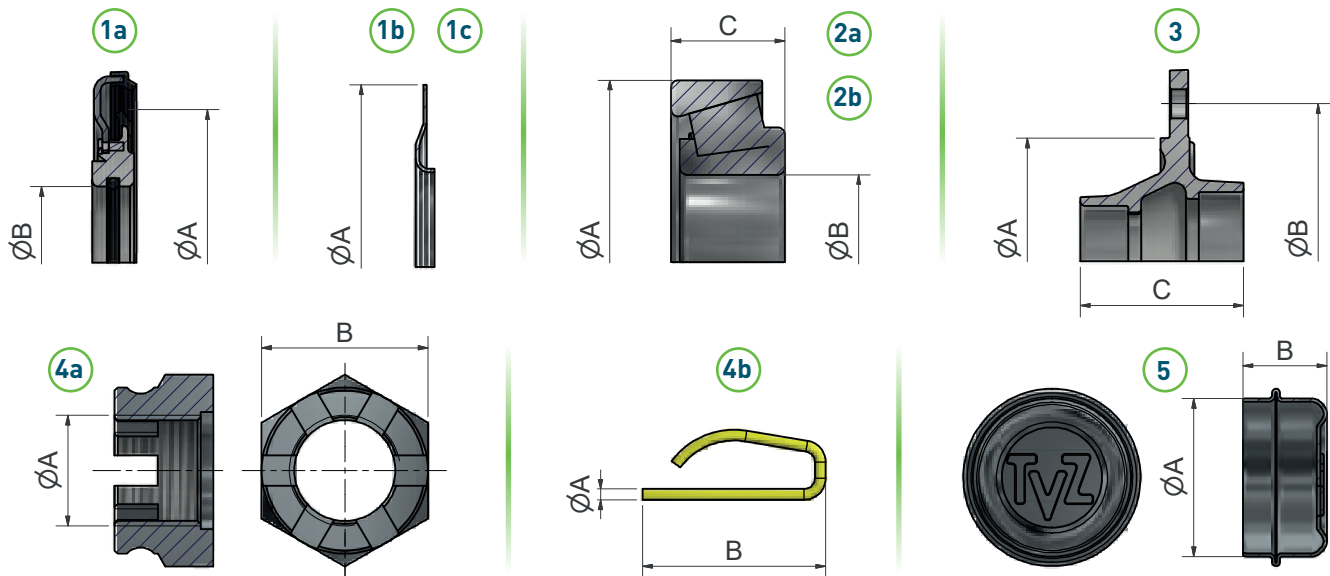


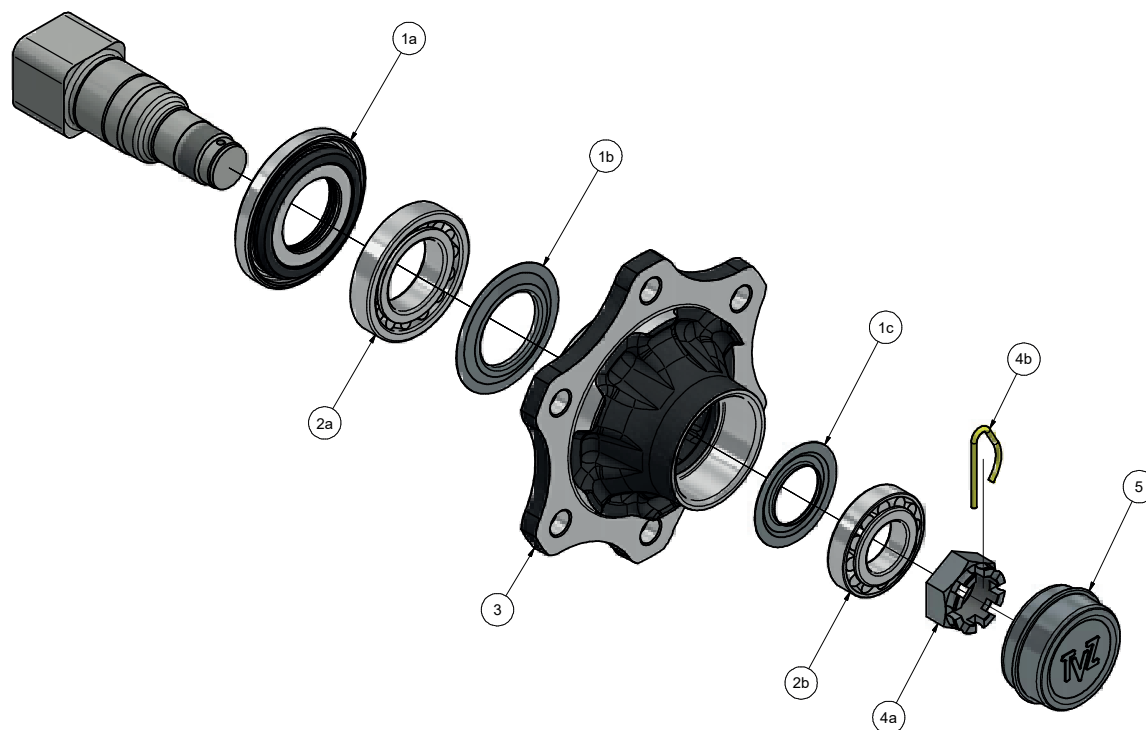
Type 642



(1) In case of grease nipple or threaded cap, please contact our sales office.

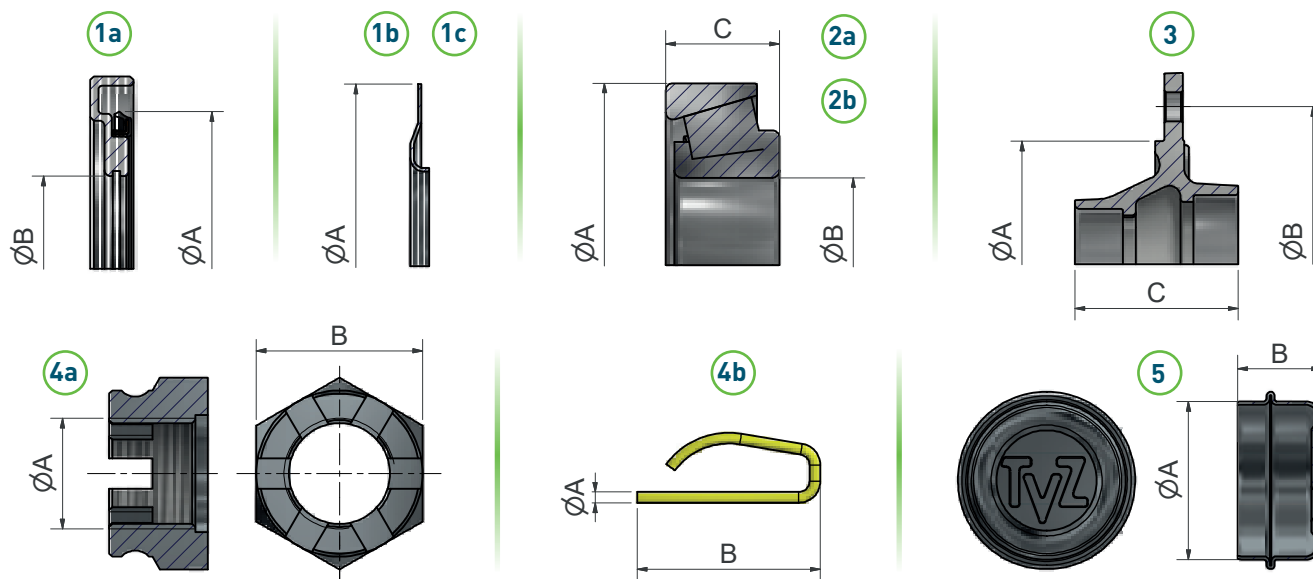
Hub type	Item	Description	Code	A	B	C	Q.ty	Kit code
642	1a	Seal with dust cover	S5431002	100	56	-	2	OSP64201
	1b	Nilos 30211	S5511001	100	-	-	2	
	1c	Nilos 30208	S5510801	80	-	-	2	
	2a	Bearing 30211	S59130211	100	55	22,75	1	OSP64002
	2b	Bearing 30208	S59130208	80	40	19,75	1	
	3	Hub 6 holes M18X1,5	(1) S61L6LA001	160	205	118	1	S61L6LA001
	4a	Crown nut	S57539B1	M39x1,5	50	-	4	OSPD3901
	4b	Spring pin	S58205	4	64	-	4	
	5	TVZ cap	S56108009	80	39	-	4	OSPT8001
	Neutral cap	S56108002	80	39	-	4	OSPT80A1	



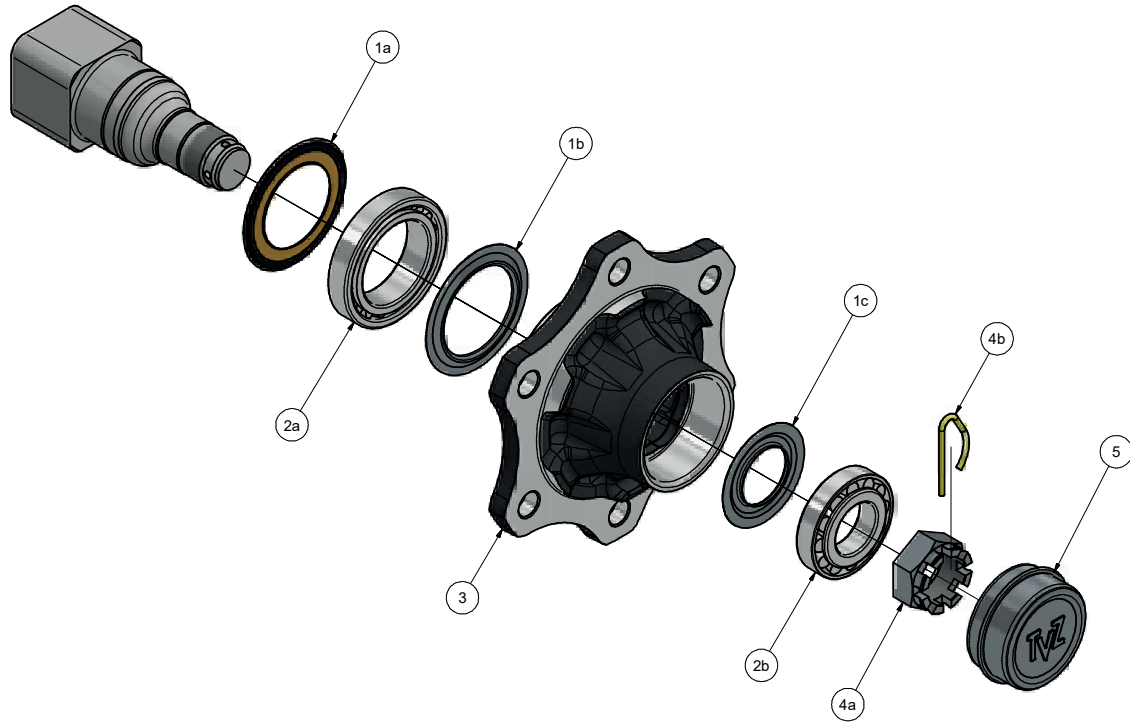


(1) In case of grease nipple or threaded cap, please contact our sales office.

Hub type	Item	Description	Code	A	B	C	Q.ty	Kit code
644	1a	Seal with dust cover	S5471004	100	56	-	2	OSP64401
	1b	Nilos 30211	S5511001	100	-	-	2	
	1c	Nilos 30208	S5510801	80	-	-	2	
	2a	Bearing 30211	S59130211	100	55	22,75	1	OSP64002
	2b	Bearing 30208	S59130208	80	40	19,75	1	
	3	Hub 6 holes M18X1,5	(1) S61L6LA001	160	205	118	1	S61L6LA001
	4a	Crown nut	S57539B1	M39x1,5	50	-	4	OSPD3901
	4b	Spring pin	S58205	4	64	-	4	
	5	TVZ cap	S56108009	80	39	-	4	OSPT8001
	Neutral cap	S56108002	80	39	-	4	OSPT80A1	

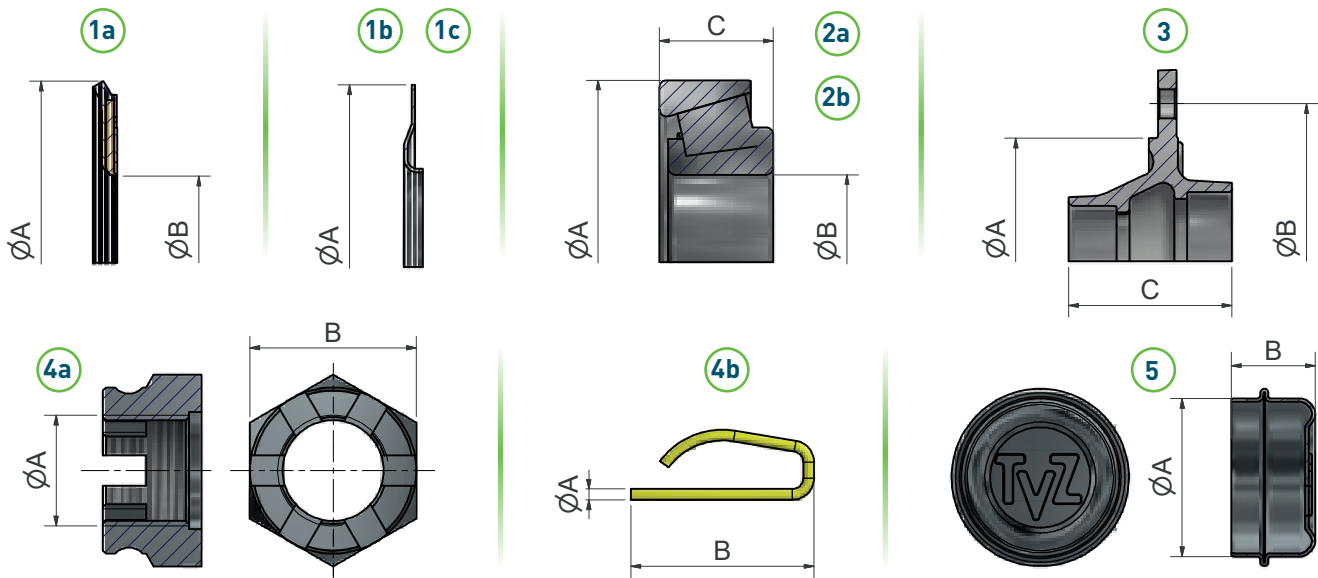


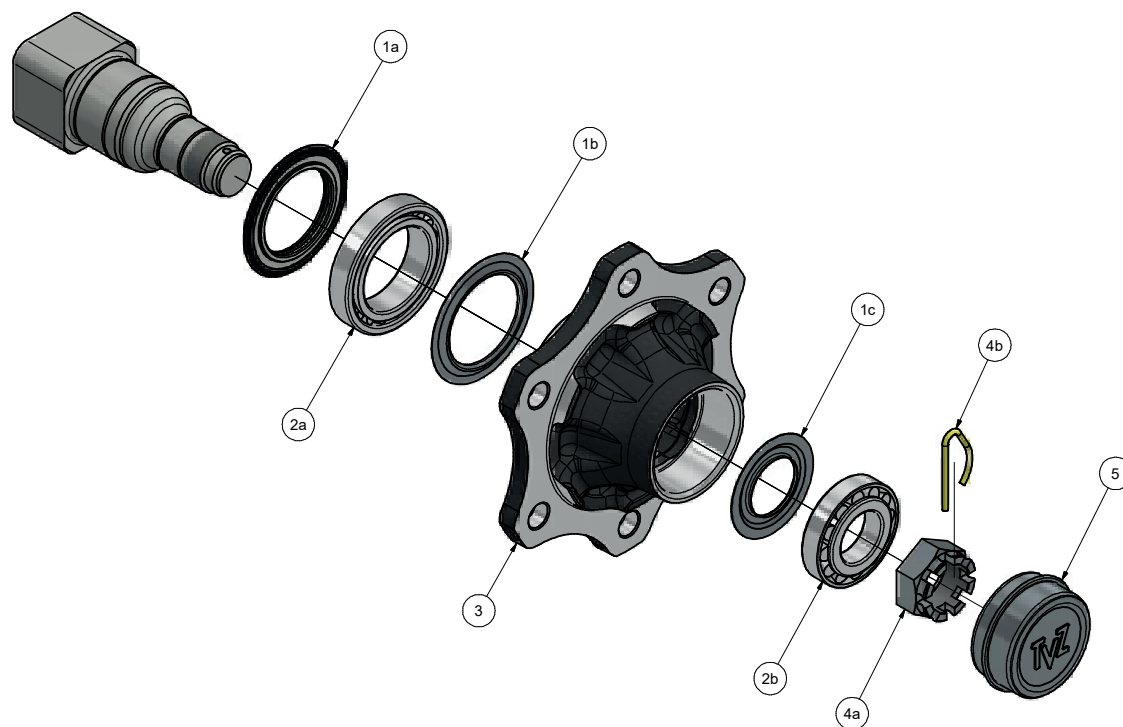
Type 645



(1) In case of grease nipple or threaded cap, please contact our sales office.

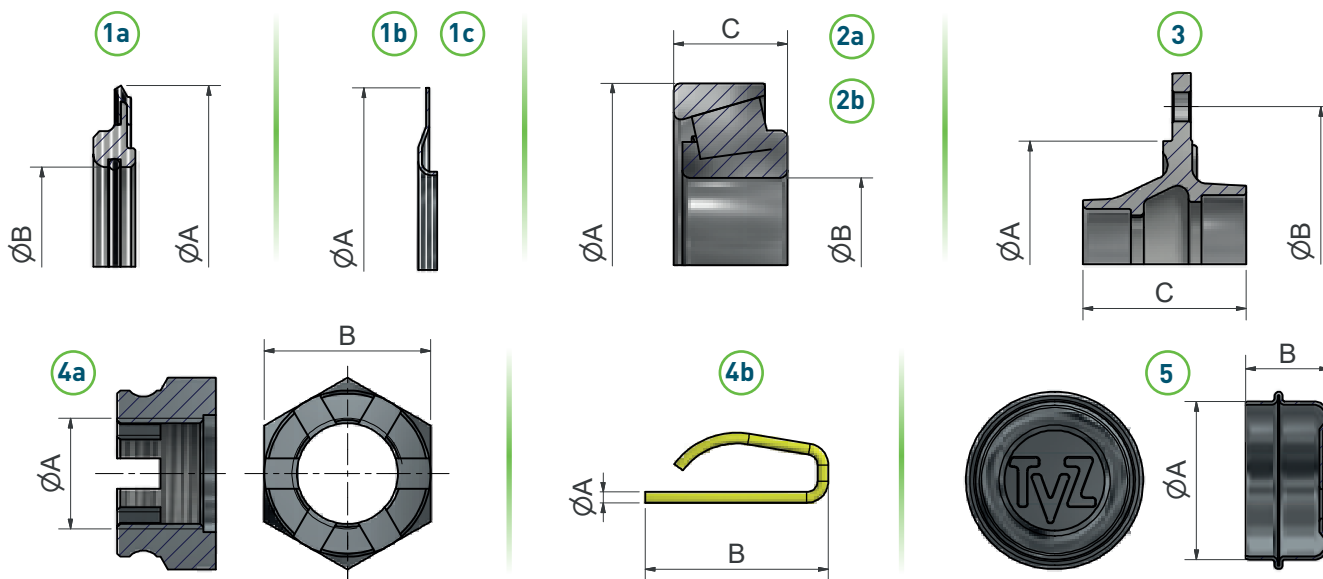
Hub type	Item	Description	Code	A	B	C	Q.ty	Kit code
645	1a	Agr. Seal	S5411002	100	65	-	2	OSP64501
	1b	Nilos 32013	S5510991	99	-	-	2	
	1c	Nilos 30208	S5510801	80	-	-	2	
	2a	Bearing 32013	S59132013X	100	65	23	1	OSP64502
	2b	Bearing 30208	S59130208	80	40	19,75	1	
	3	Hub 6 holes M18X1,5	(1) S61L6LA001	160	205	118	1	S61L6LA001
	4a	Crown nut	S57539B1	M39x1,5	50	-	4	OSPD3901
	4b	Spring pin	S58205	4	64	-	4	
	5	TVZ cap	S56108009	80	39	-	4	OSPT8001
	Neutral cap	S56108002	80	39	-	4	OSPT80A1	



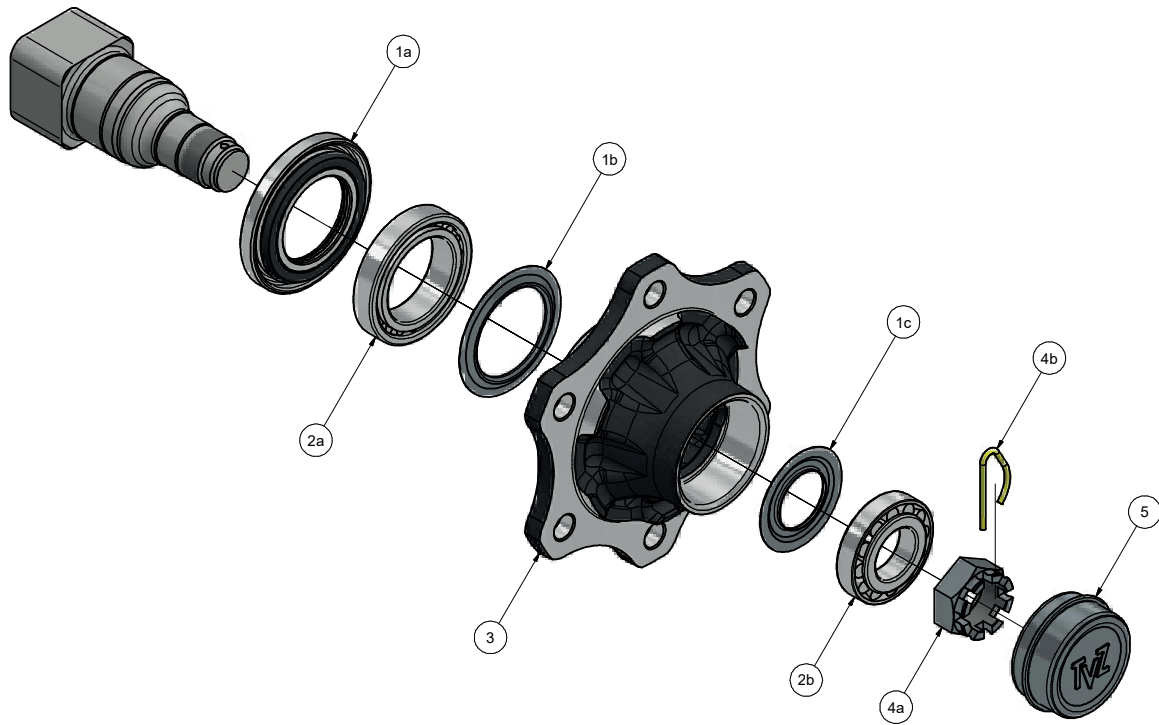


(1) In case of grease nipple or threaded cap, please contact our sales office.

Hub type	Item	Description	Code	A	B	C	Q.ty	Kit code
646	1a	Semi ind. Seal	S5421001	100	66	-	2	OSP64601
	1b	Nilos 32013	S5510991	99	-	-	2	
	1c	Nilos 30208	S5510801	80	-	-	2	
	2a	Bearing 32013	S59132013X	100	65	23	1	OSP64502
	2b	Bearing 30208	S59130208	80	40	19,75	1	
	3	Hub 6 holes M18X1,5	(1) S61L6LA001	160	205	118	1	S61L6LA001
	4a	Crown nut	S57539B1	M39x1,5	50	-	4	OSPD3901
	4b	Spring pin	S58205	4	64	-	4	
	5	TVZ cap	S56108009	80	39	-	4	OSPT8001
	Neutral cap	S56108002	80	39	-	4	OSPT80A1	

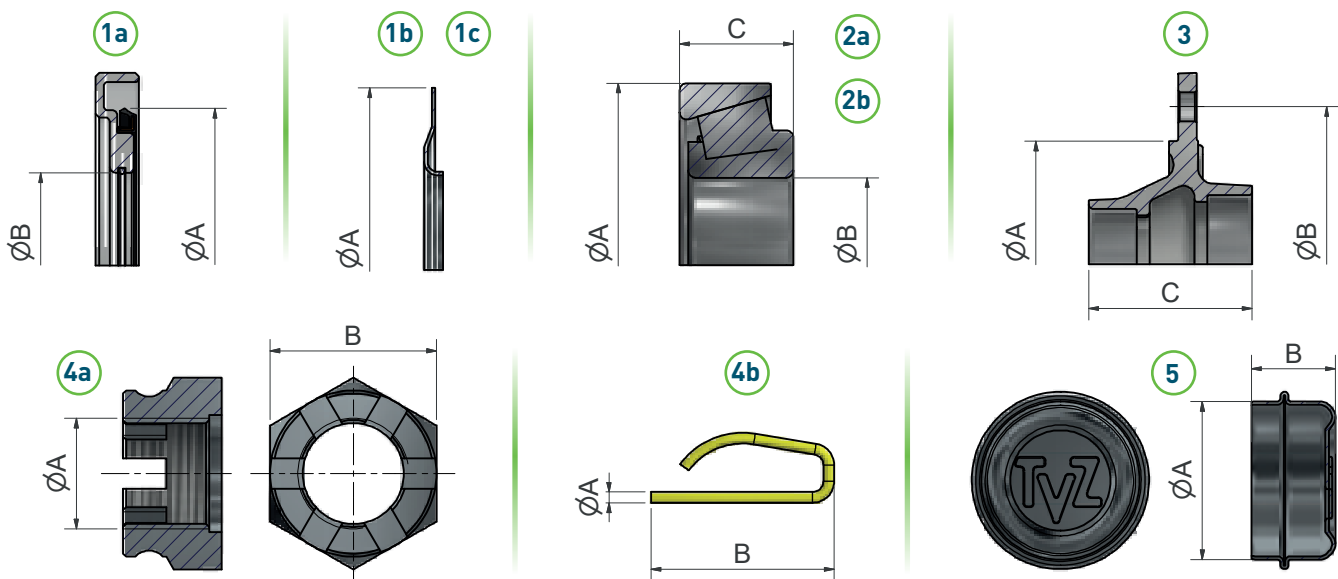


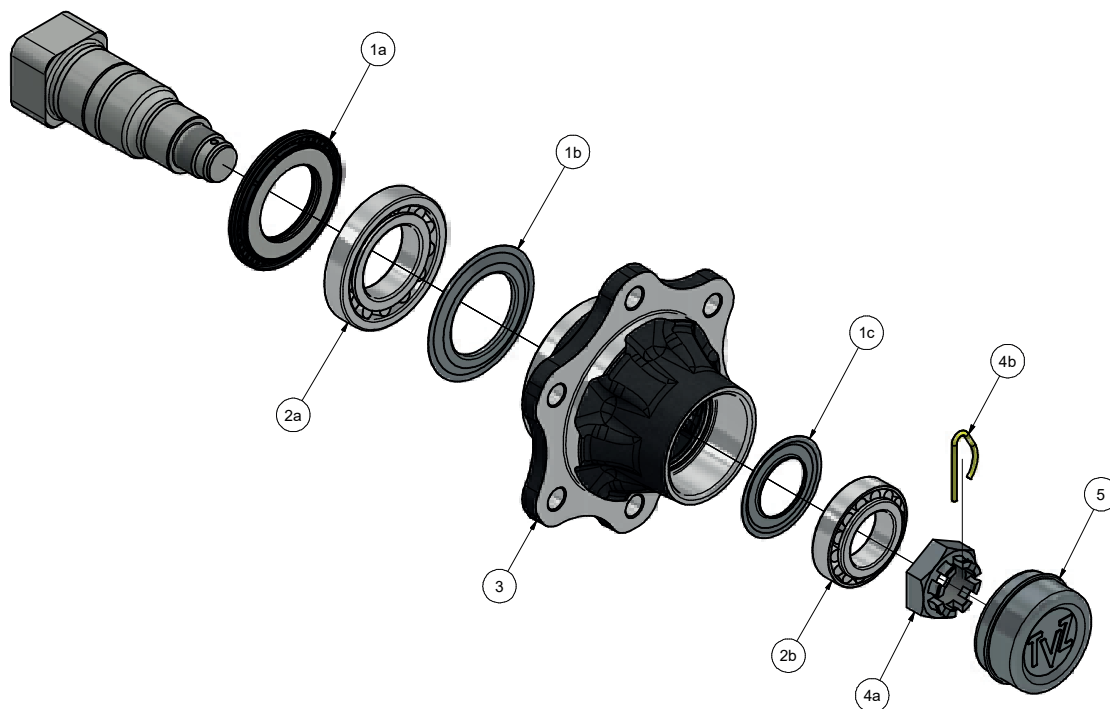
Type 648



(1) In case of grease nipple or threaded cap, please contact our sales office.

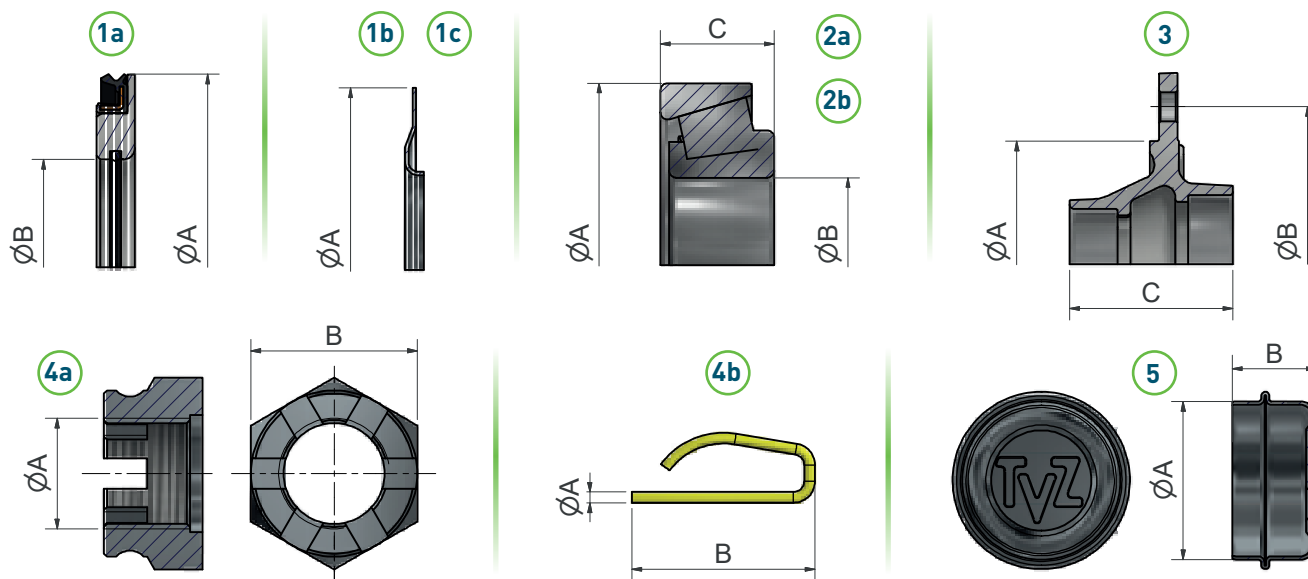
Hub type	Item	Description	Code	A	B	C	Q.ty	Kit code
648	1a	Seal wist dust cover	S5471005	100	66	-	2	OSP64801
	1b	Nilos 32013	S5510991	99	-	-	2	
	1c	Nilos 30208	S5510801	80	-	-	2	
	2a	Bearing 32013	S59132013X	100	65	23	1	OSP64502
	2b	Bearing 30208	S59130208	80	40	19,75	1	
	3	Hub 6 holes M18X1,5	(1) S61L6LA001	160	205	118	1	S61L6LA001
	4a	Crown nut	S57539B1	M39x1,5	50	-	4	OSPD3901
	4b	Spring pin	S58205	4	64	-	4	
	5	TVZ cap	S56108009	80	39	-	4	OSPT8001
	Neutral cap	S56108002	80	39	-	4	OSPT80A1	



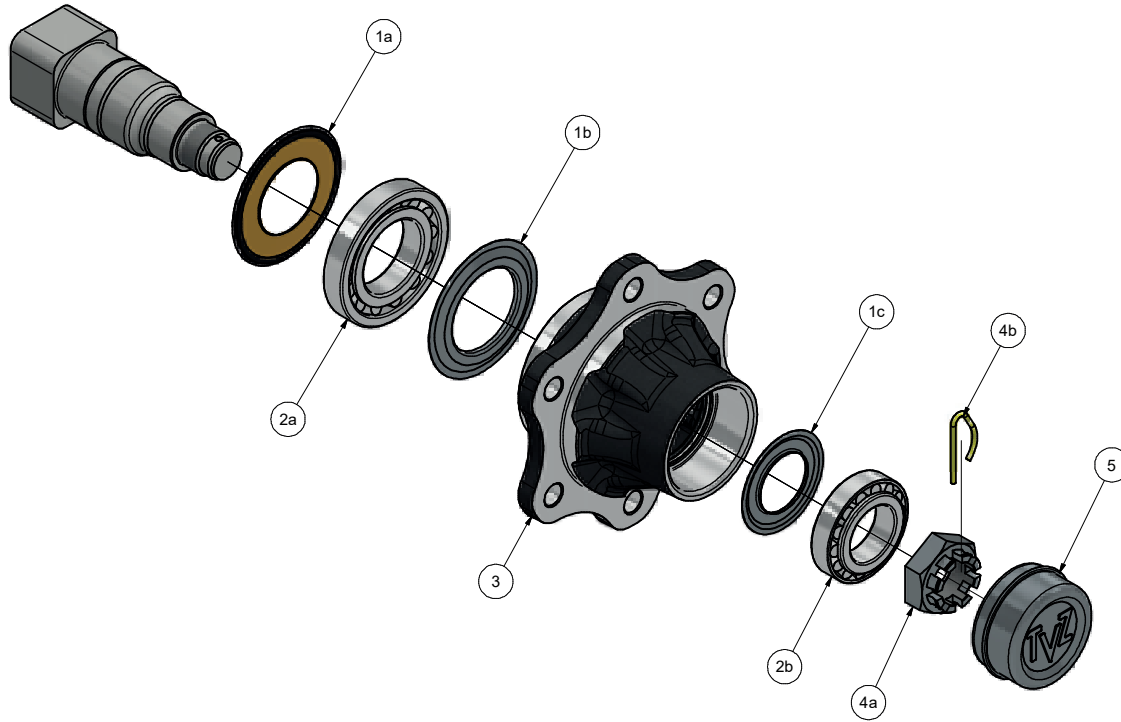


(1) In case of grease nipple or threaded cap, please contact our sales office.
 (2) Special studs.

Hub type	Item	Description	Code	A	B	C	Q.ty	Kit code	
660	1a	Ind. Seal	S5441201	120	67	-	2	OSP66001	
	1b	Nilos 30213	S5511201	120	-	-	2		
	1c	Nilos 32210	S5510901	90	-	-	2		
	2a	Bearing 30213	S59130213	120	65	24,75	1	OSP66102	
	2b	Bearing 32210	S59132210	90	50	24,75	1		
	3		Hub 6 holes M18X1,5	(1) S61L6NA002	160	205	148	1	S61L6NA002
			Hub 6 holes M20X1,5	(1) S61L6NA023	160	205	152	1	S61L6NA023
			Hub 8 holes M18X1,5	(1) (2) S61L8NA015	220	275	148	1	S61L8NA015
			Hub 8 holes M20X1,5	(1) S61L8NA015	220	275	148	1	S61L8NA015
	4a	Crown nut	S57539B2	M39x1,5	60	-	4	OSPD3902	
4b	Spring pin	S58205	4	64	-	4			
5		TVZ cap	S56109009	90	46	-	2	OSPT9001	
		Neutral cap	S56109002	90	46	-	2	OSPT90A1	

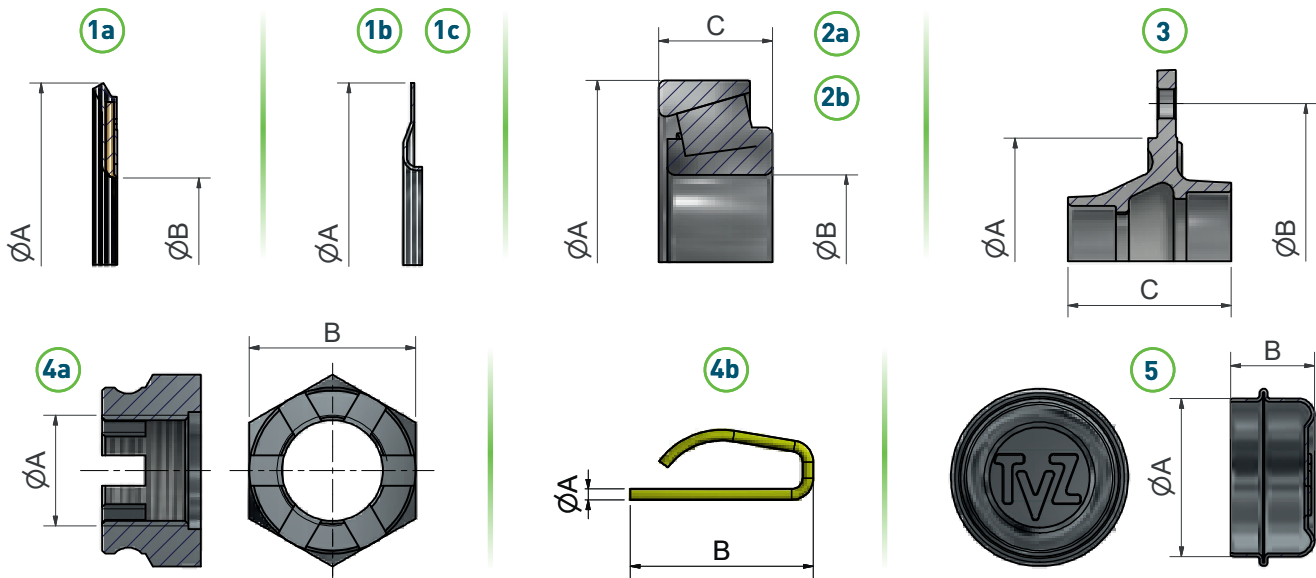


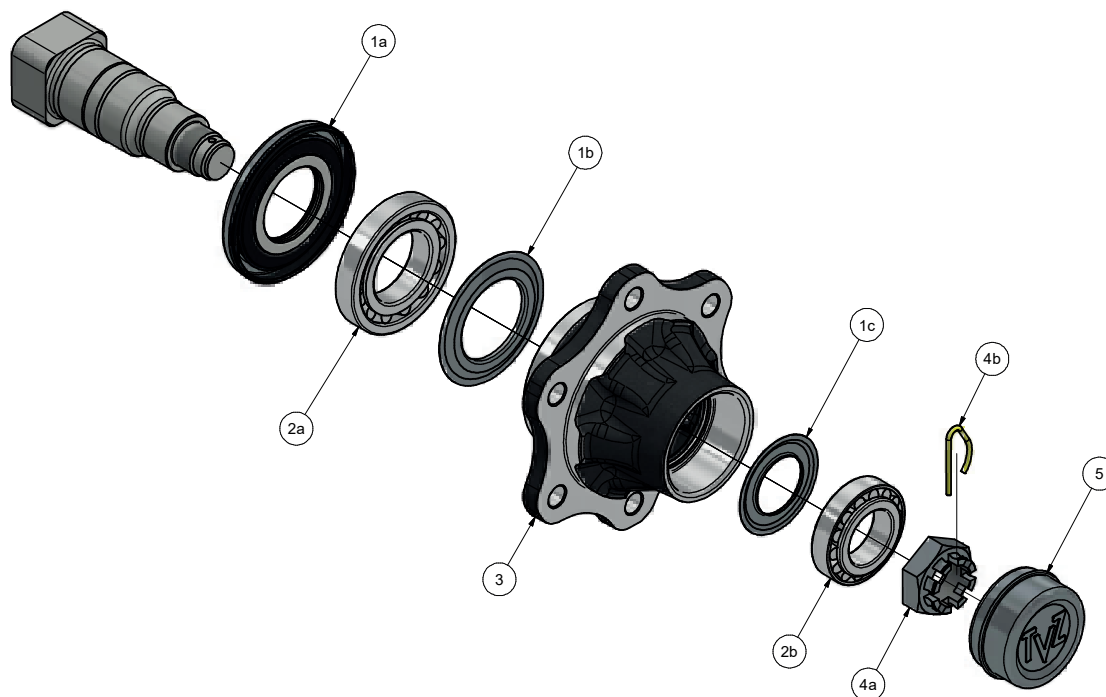
Type 661



(1) In case of grease nipple or threaded cap, please contact our sales office.
 (2) Special studs.

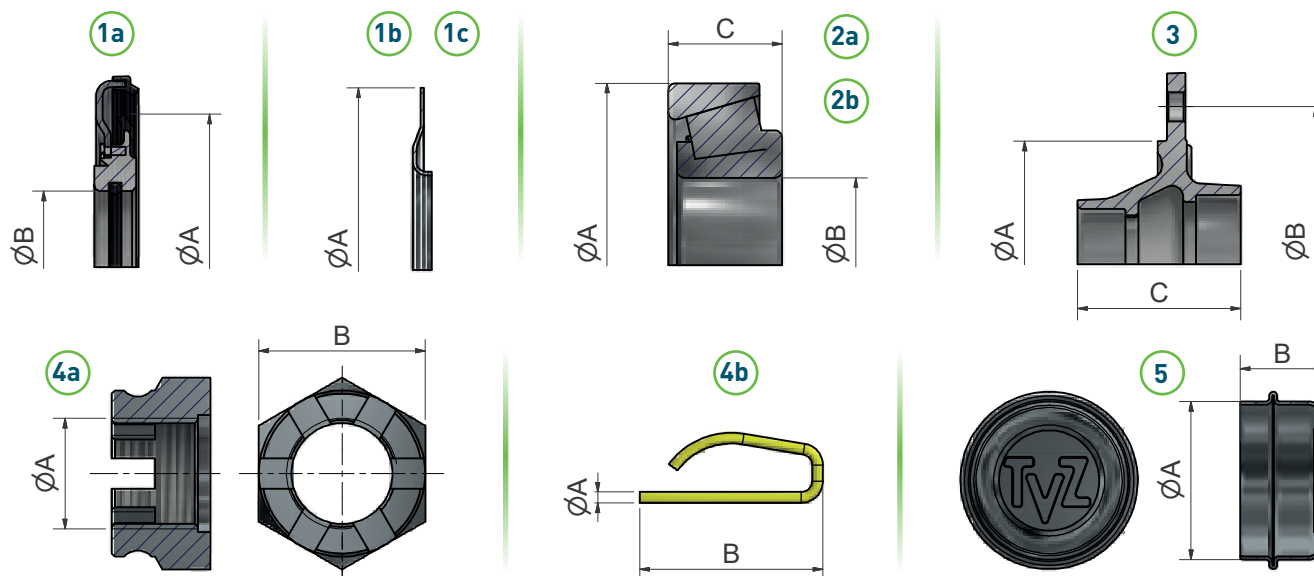
Hub type	Item	Description	Code	A	B	C	Q.ty	Kit code	
661	1a	Agr. Seal	S5411201	120	65	-	2	OSP66101	
	1b	Nilos 30213	S5511201	120	-	-	2		
	1c	Nilos 32210	S5510901	90	-	-	2		
	2a	Bearing 30213	S59130213	120	65	24,75	1	OSP66102	
	2b	Bearing 32210	S59132210	90	50	24,75	1		
	3		Hub 6 holes M18X1,5	(1) S61L6NA002	160	205	148	1	S61L6NA002
			Hub 6 holes M20X1,5	(1) S61L6NA023	160	205	152	1	S61L6NA023
			Hub 8 holes M18X1,5	(1) (2) S61L8NA015	220	275	148	1	S61L8NA015
			Hub 8 holes M20X1,5	(1) S61L8NA015	220	275	148	1	S61L8NA015
	4a	Crown nut	S57539B2	M39x1,5	60	-	4	OSPD3902	
4b	Spring pin	S58205	4	64	-	4			
5		TVZ cap	S56109009	90	46	-	2	OSPT9001	
		Neutral cap	S56109002	90	46	-	2	OSPT90A1	



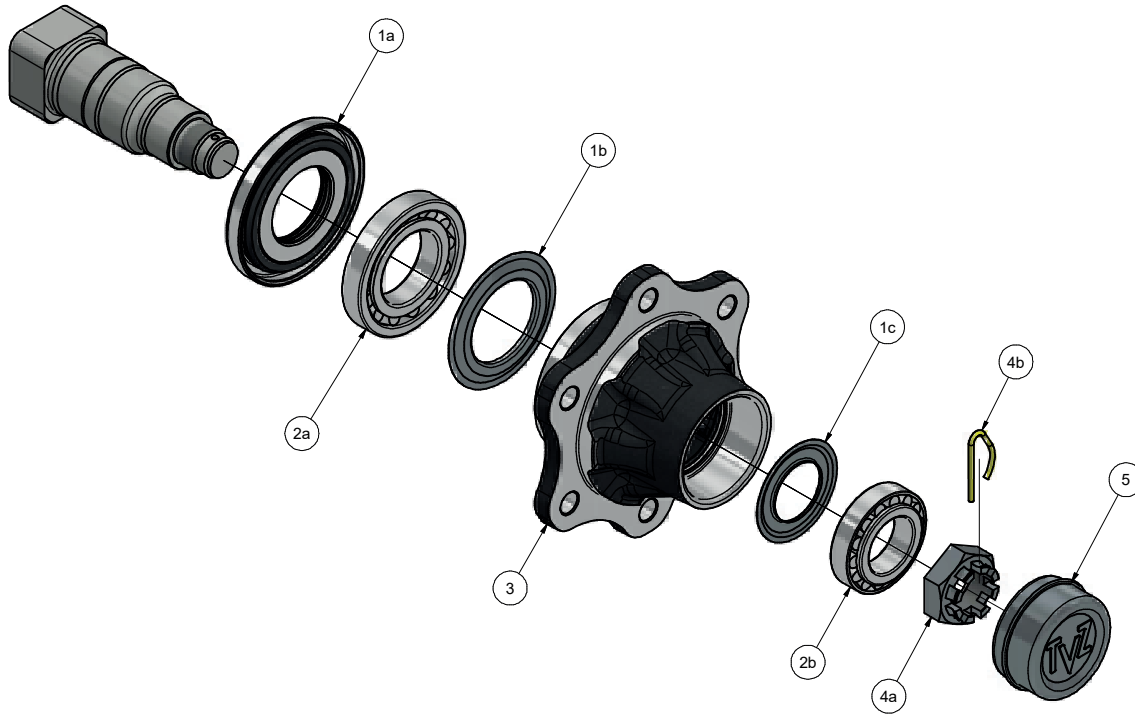


(1) In case of grease nipple or threaded cap, please contact our sales office.
 (2) Special studs.

Hub type	Item	Description	Code	A	B	C	Q.ty	Kit code	
662	1a	Seal with dust cover	S5431201	120	67	-	2	OSP66201	
	1b	Nilos 30213	S5511201	120	-	-	2		
	1c	Nilos 32210	S5510901	90	-	-	2		
	2a	Bearing 30213	S59130213	120	65	24,75	1	OSP66102	
	2b	Bearing 32210	S59132210	90	50	24,75	1		
	3		Hub 6 holes M18X1,5 (1)	S61L6NA002	160	205	148	1	S61L6NA002
			Hub 6 holes M20X1,5 (1)	S61L6NA023T	160	205	152	1	S61L6NA023T
			Hub 8 holes M18X1,5 (1) (2)	S61L8NA015	220	275	148	1	S61L8NA015
			Hub 8 holes M20X1,5 (1)	S61L8NA015	220	275	148	1	S61L8NA015
	4a	Crown nut	S57539B2	M39x1,5	60	-	4	OSPD3902	
4b	Spring pin	S58205	4	64	-	4			
5		TVZ cap	S56109009	90	46	-	2	OSPT9001	
		Neutral cap	S56109002	90	46	-	2	OSPT90A1	

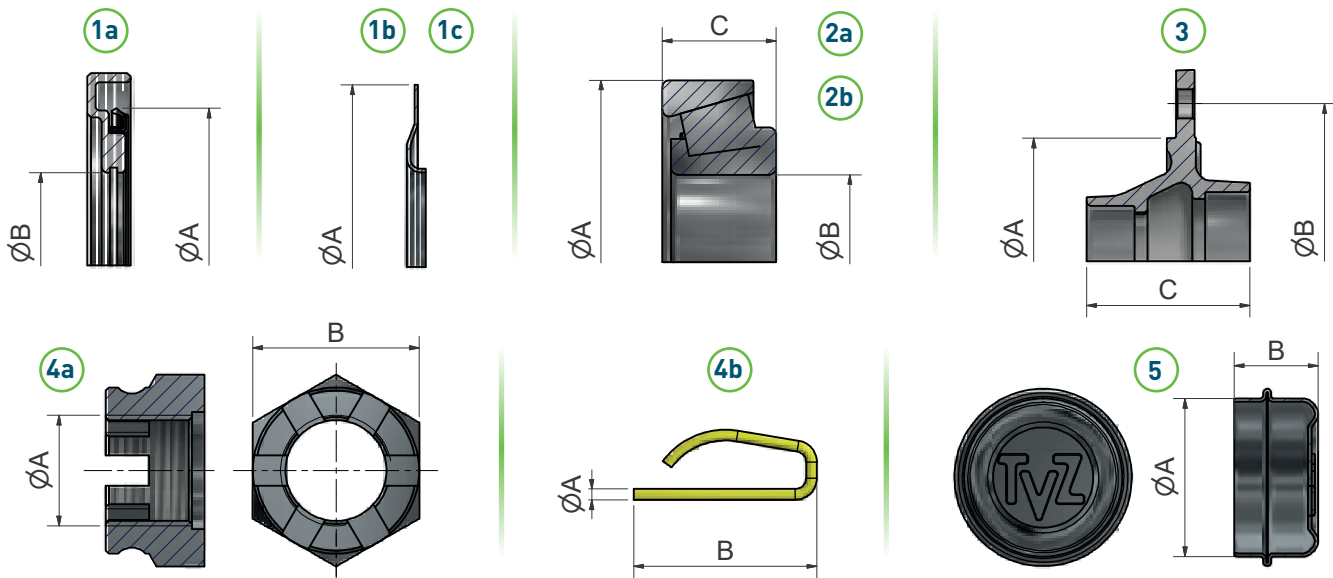


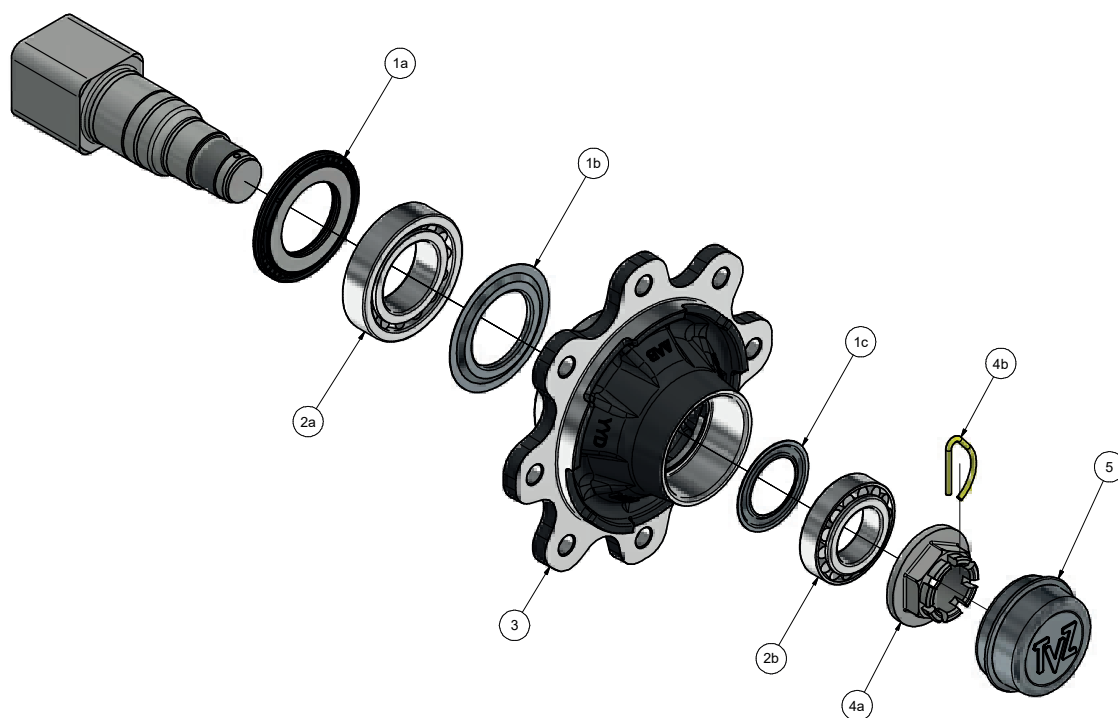
Type 663



(1) In case of grease nipple or threaded cap, please contact our sales office.
 (2) Special studs.

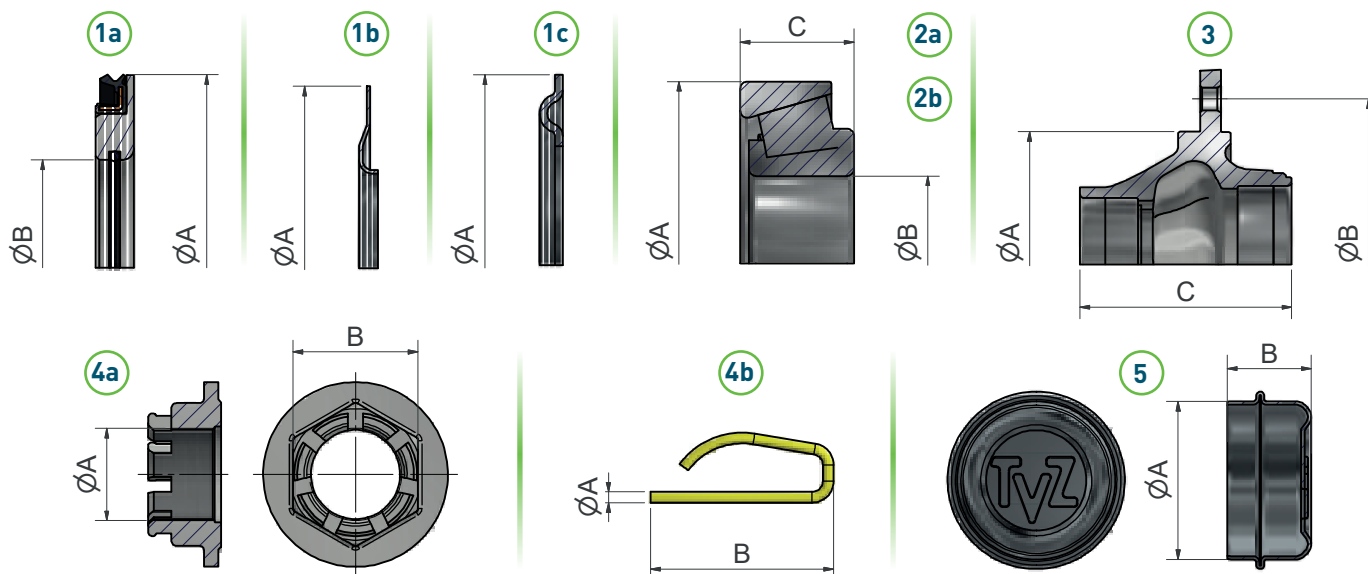
Hub type	Item	Description	Code	A	B	C	Q.ty	Kit code	
663	1a	Seal with dust cover	S5471202	120	67	-	2	OSP66301	
	1b	Nilos 30213	S5511201	120	-	-	2		
	1c	Nilos 32210	S5510901	90	-	-	2		
	2a	Bearing 30213	S59130213	120	65	24,75	1	OSP66102	
	2b	Bearing 32210	S59132210	90	50	24,75	1		
	3		Hub 6 holes M18X1,5	(1) S61L6NA002	160	205	148	1	S61L6NA002
			Hub 6 holes M20X1,5	(1) S61L6NA023T	160	205	152	1	S61L6NA023T
			Hub 8 holes M18X1,5	(1) (2) S61L8NA015	220	275	148	1	S61L8NA015
			Hub 8 holes M20X1,5	(1) S61L8NA015	220	275	148	1	S61L8NA015
	4a	Crown nut	S57539B2	M39x1,5	60	-	4	OSPD3902	
4b	Spring pin	S58205	4	64	-	4			
5		TVZ cap	S56109009	90	46	-	2	OSPT9001	
		Neutral cap	S56109002	90	46	-	2	OSPT90A1	



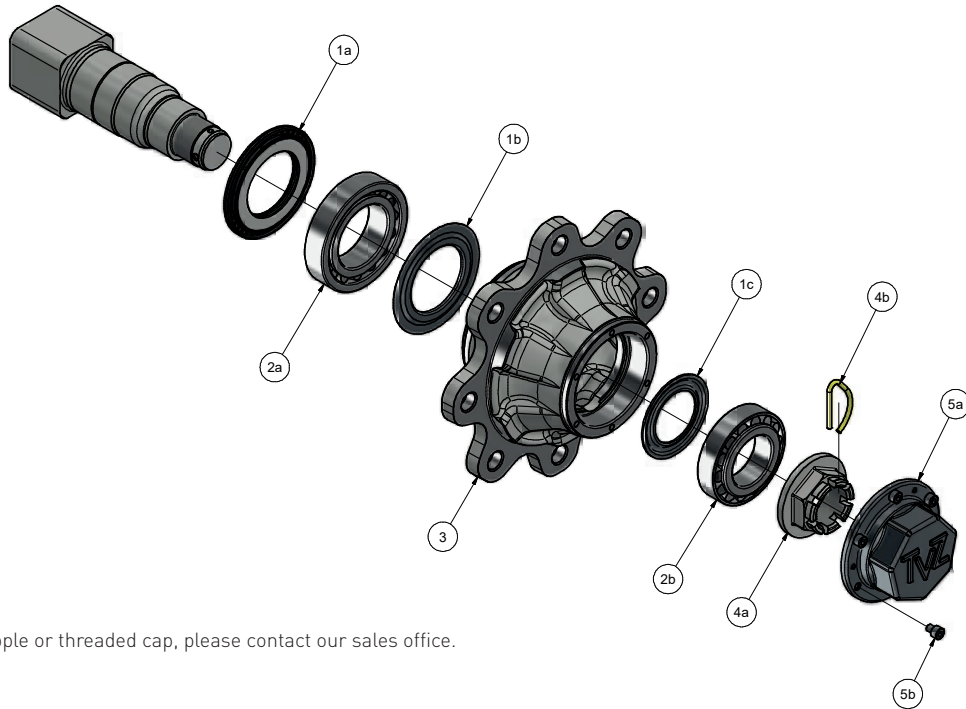


[1] In case of grease nipple or threaded cap, please contact our sales office.

Hub type	Item	Description	Code	A	B	C	Q.ty	Kit code	
668	1a	Ind. Seal	S5441251	125	72	-	2	OSP66801	
	1b	Nilos 32214	S5511251	125	-	-	2		
	1c	Nilos 32211	S5530891	89	-	-	2		
	2a	Bearing 32214	S59132214	125	70	33,25	1	OSP66802	
	2b	Bearing 32211	S59132211	100	55	26,75	1		
	3	3	Hub 6 holes M18X1,5	[1] S61L6QC001	160	205	147	1	S61L6QC001
			Hub 6 holes M20X1,5	[1] S61L6QC004	160	205	147	1	S61L6QC004
			Hub 8 holes M18X1,5	[1] S61L8QC001	220	275	147	1	S61L8QC001
			Hub 8 holes M20X1,5	[1] S61L8QC002	220	275	147	1	S61L8QC002
	4a	Crown nut	S57548B5	M48x1,5	65	-	2	OSPD4801	
	4b	Spring pin	S58209	5	58	-	2		
5	5	TVZ cap	S56110002T	100	50	-	2	OSPTA001	
		Neutral cap	S56110002	100	50	-	2	OSPTA0A1	

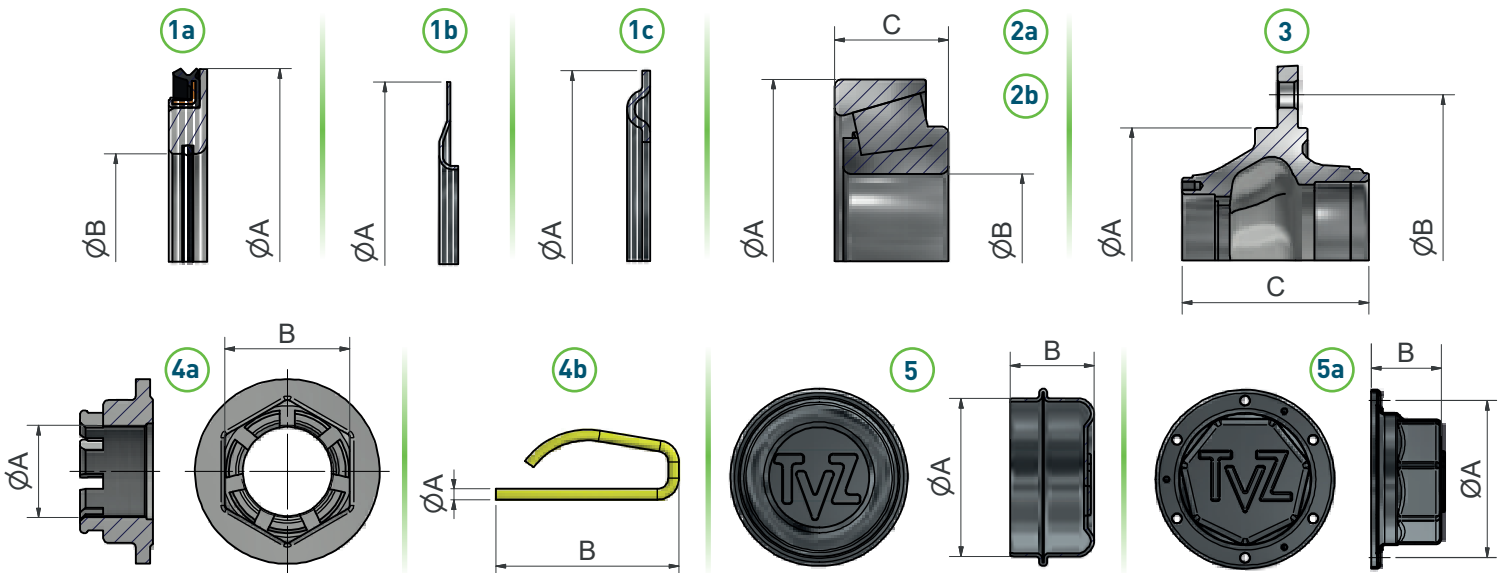


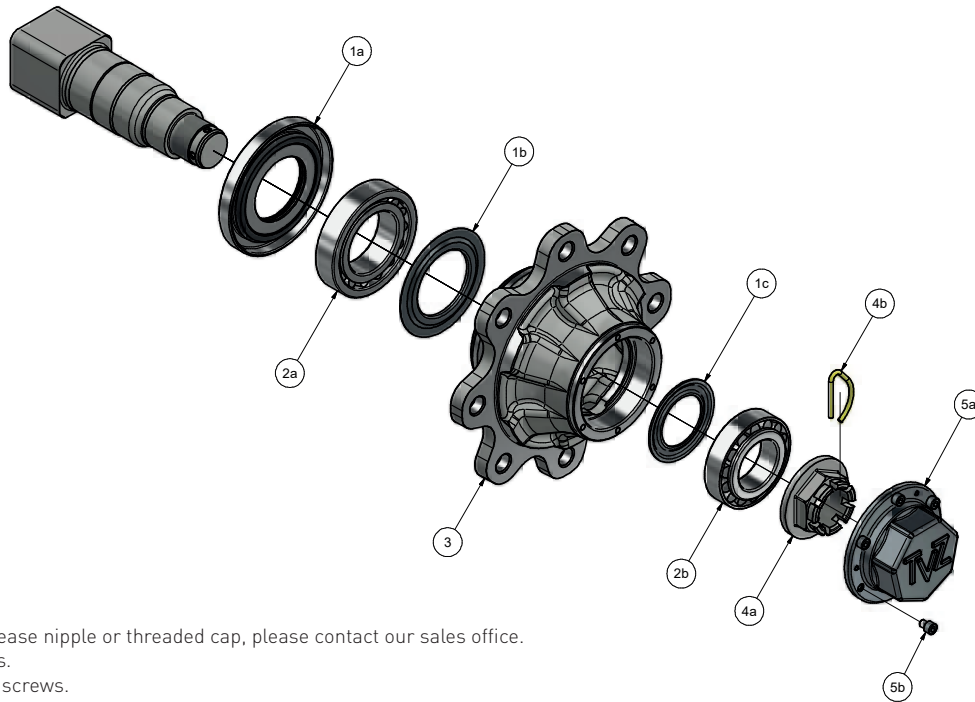
Type 671



- (1) In case of grease nipple or threaded cap, please contact our sales office.
- (2) Special studs.
- (3) For cap with screws.

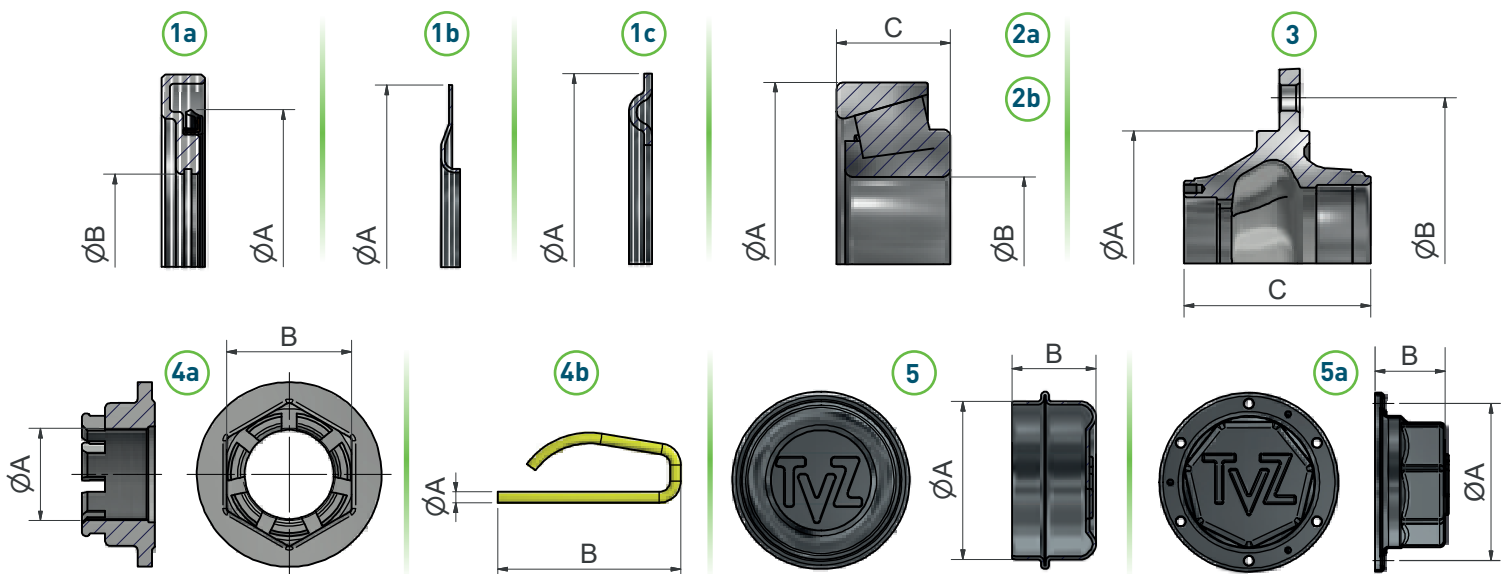
Hub type	Item	Description	Code	A	B	C	Q.ty	Kit code	
671	1a	Ind. Seal	S5441301	130	77	-	1	OSP67101	
	1b	Nilos 32215	S5511301	130	-	-	1		
	1c	Nilos 32212	S5530991	99	-	-	1		
	2a	Bearing 32215	S59132215	130	75	33,25	1	OSP67102	
	2b	Bearing 32212	S59132212	110	60	29,75	1		
	3	3	Hub 6 holes M18X1,5	(1) (3) S61L6RD002	160	205	155	1	S61L6RD002
			Hub 6 holes M20X1,5	(1) (3) S61L6RD003	160	205	155	1	S61L6RD003
			Hub 8 holes M18X1,5	(1) (2) (3) S61L8RD002	220	275	155	1	S61L8RD002
			Hub 8 holes M20X1,5	(1) (3) S61L8RD002	220	275	155	1	S61L8RD002
			Hub 8 holes M18X1,5	(1) S61L08110130250	220	275	176	1	S61L08110130250
			Hub 8 holes M20X1,5	(1) S61L08110130260	220	275	176	1	S61L08110130260
	4a	Crown nut	S57548B5	M48x1,5	65	-	2	OSPD4801	
	4b	Spring pin	S58209	5	58	-	2		
	5	5	TVZ cap	S56111009	110	49	-	2	OSPTA101
		5	Neutral cap	S56111006	110	49	-	2	OSPTA1A1
5a	TVZ cap with gasket	S561110T1N	124	56	-	2	OSPTA102		
5b	Screw M8x1,25	S96308A0101	-	-	-	12			
5a	Neutral cap with gasket	S561110T2	124	56	-	2	OSPTA1A2		
5b	Screw M8x1,25	S96308A0101	-	-	-	12			



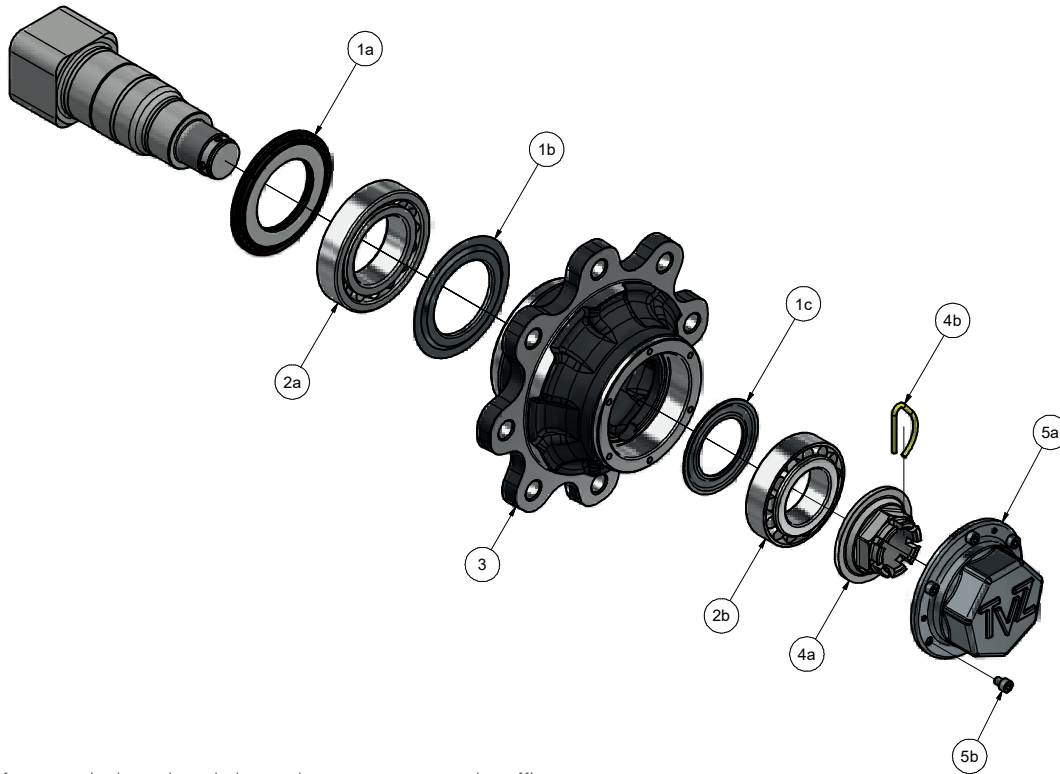


- (1) In case of grease nipple or threaded cap, please contact our sales office.
- (2) Special studs.
- (3) For cap with screws.

Hub type	Item	Description	Code	A	B	C	Q.ty	Kit code	
672	1a	Ind. seal with dust cover	S5471301	130	77	-	1	OSP67201	
	1b	Nilos 32215	S5511301	130	-	-	1		
	1c	Nilos 32212	S5530991	99	-	-	1		
	2a	Bearing 32215	S59132215	130	75	33,25	1	OSP67102	
	2b	Bearing 32212	S59132212	110	60	29,75	1		
	3	Hub 6 holes M18X1,5	(1) (3)	S61L6RD002	160	205	155	1	S61L6RD002
		Hub 6 holes M20X1,5	(1) (3)	S61L6RD003	160	205	155	1	S61L6RD003
		Hub 8 holes M18X1,5	(1) (2) (3)	S61L8RD002	220	275	155	1	S61L8RD002
		Hub 8 holes M20X1,5	(1) (3)	S61L8RD002	220	275	155	1	S61L8RD002
		Hub 8 holes M18X1,5	(1)	S61L08110130250	220	275	176	1	S61L08110130250
		Hub 8 holes M20X1,5	(1)	S61L08110130260	220	275	176	1	S61L08110130260
	4a	Crown nut		S57548B5	M48x1,5	65	-	2	OSPD4801
	4b	Spring pin		S58209	5	58	-	2	
	5	TVZ cap		S56111009	110	49	-	2	OSPTA101
		Neutral cap		S56111006	110	49	-	2	OSPTA1A1
5a	TVZ cap with gasket		S561110T1N	124	56	-	2	OSPTA102	
5b	Screw M8x1,25		S96308A0101	-	-	-	12		
5a	Neutral cap with gasket		S561110T2	124	56	-	2	OSPTA1A2	
5b	Screw M8x1,25		S96308A0101	-	-	-	12		

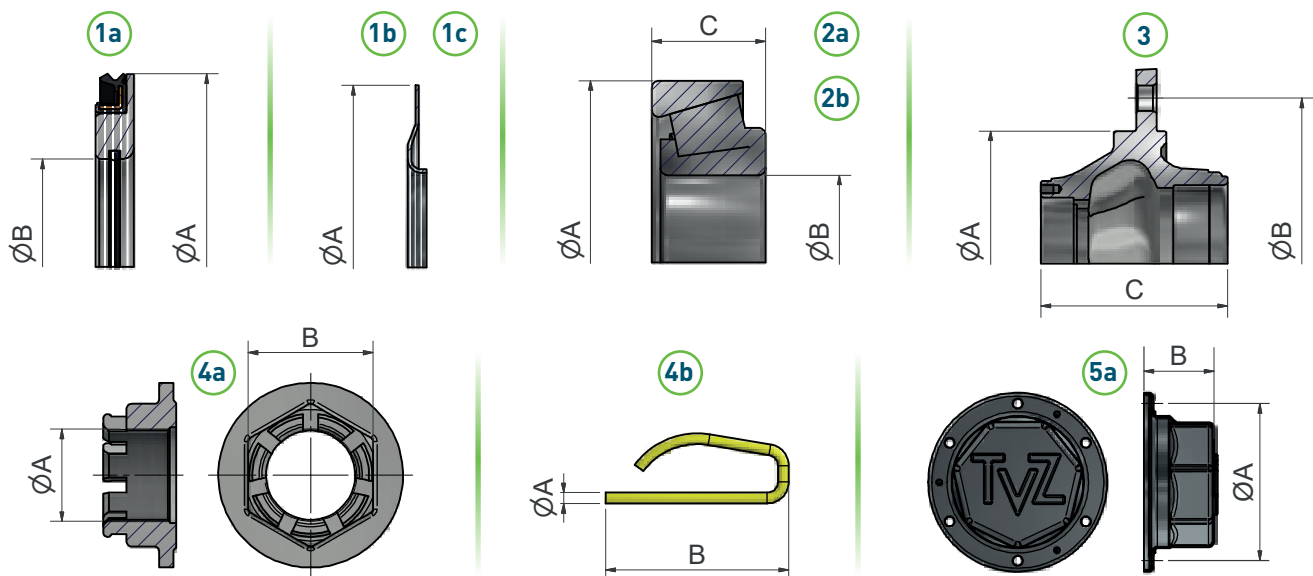


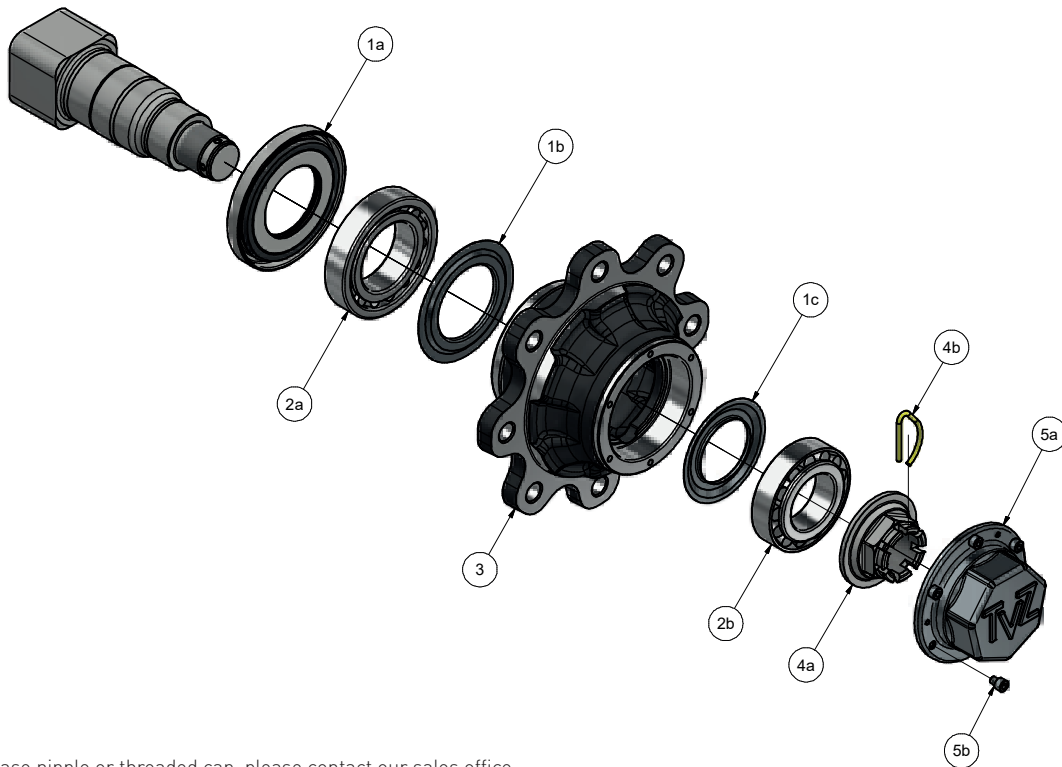
Type 880



(1) In case of grease nipple or threaded cap, please contact our sales office.

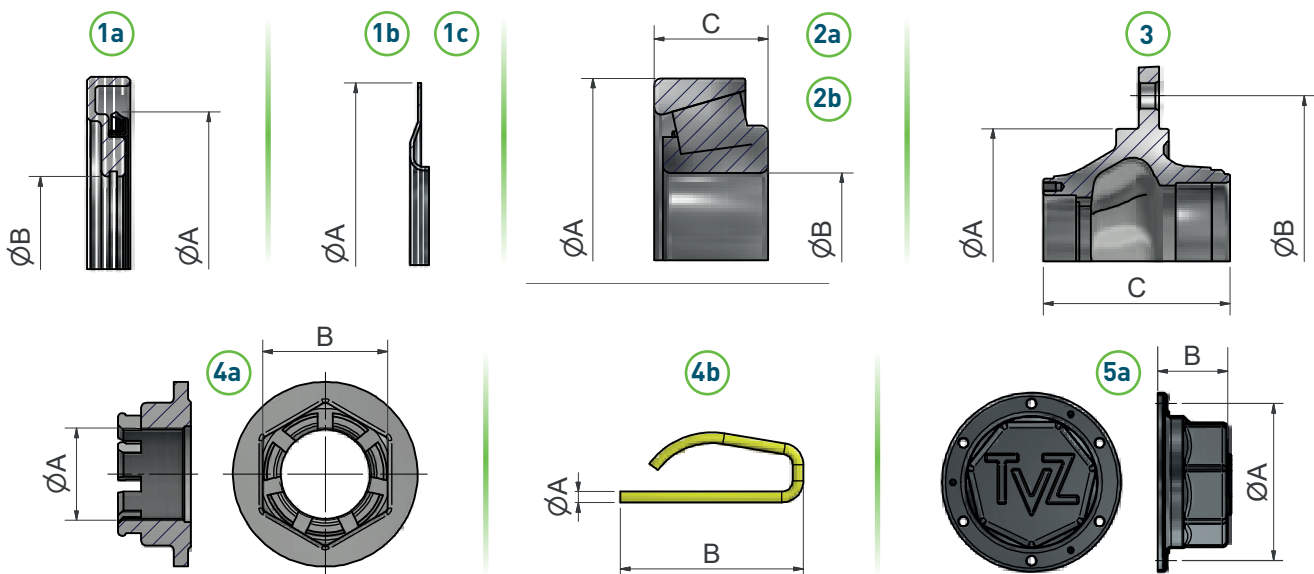
Hub type	Item	Description	Code	A	B	C	Q.ty	Kit code
880	1a	Ind. Seal	S5441401	140	82	-	1	OSP88001
	1b	Nilos 32216	S5511401	140	-	-	1	
	1c	Nilos 32213	S5511201	120	-	-	1	
	2a	Bearing 32216	S59132216	140	80	35,25	1	OSP88002
	2b	Bearing 32213	S59132213	120	65	32,75	1	
	3	Hub 8 holes M20X1,5	(1) S61L8TD002	220	275	160	1	S61L8TD002
		Hub 10 holes M22X1,5	(1) S61L1TD002	280	335	160	1	S61L1TD002
	4a	Crown nut	S57548B6	M48x1,5	65	-	2	OSPD4802
	4b	Spring pin	S58209	5	58	-	2	
	5a	TVZ cap with gasket	S561125T1N	139	62	-	2	OSPTA201
	5b	Screw M8x1,25	S96308A0101	-	-	-	12	
	5a	Neutral cap with gasket	S561125T2	139	62	-	2	OSPTA2A1
5b	Screw M8x1,25	S96308A0101	-	-	-	12		



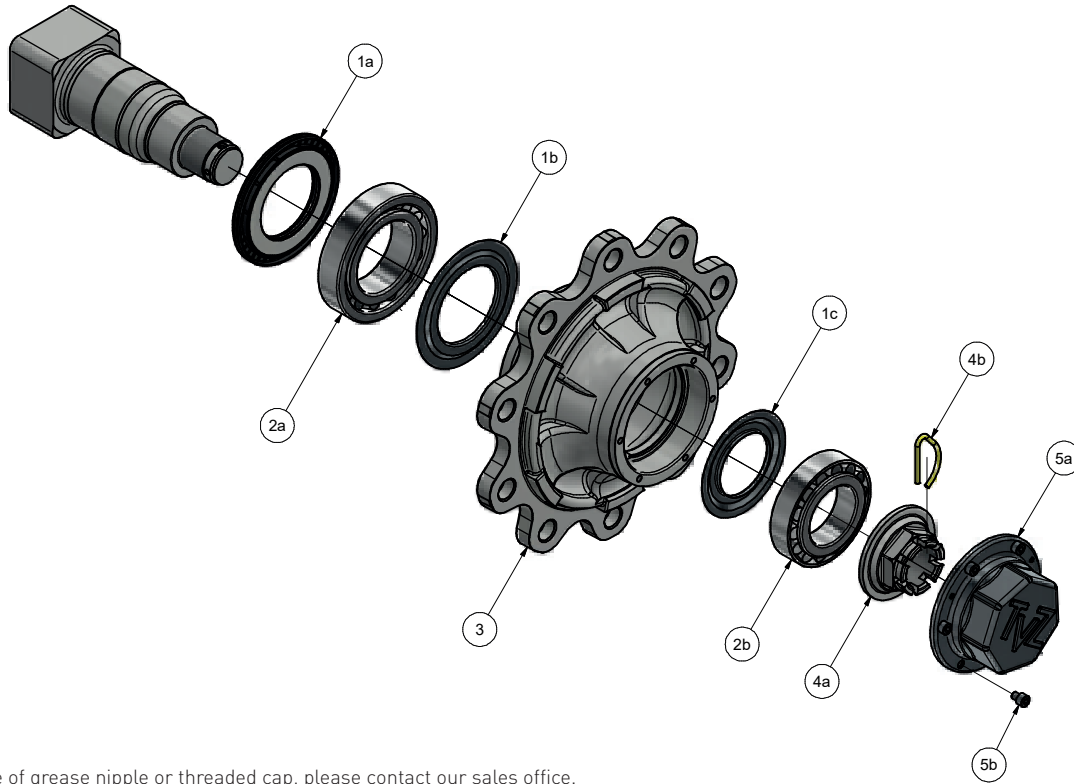


(1) In case of grease nipple or threaded cap, please contact our sales office.

Hub type	Item	Description	Code	A	B	C	Q.ty	Kit code
888	1a	Ind. seal with dust cover	S5471401	140	82	-	1	OSP88801
	1b	Nilos 32216	S5511401	140	-	-	1	
	1c	Nilos 32213	S5511201	120	-	-	1	
	2a	Bearing 32216	S59132216	140	80	35,25	1	OSP88002
	2b	Bearing 32213	S59132213	120	65	32,75	1	
	3	Hub 8 holes M20X1,5	(1) S61L8TD002	220	275	160	1	S61L8TD002
		Hub 10 holes M22X1,5	(1) S61L1TD002	280	335	160	1	S61L1TD002
	4a	Crown nut	S57548B6	M48x1,5	65	-	2	OSPD4802
	4b	Spring pin	S58209	5	58	-	2	
	5a	TVZ cap with gasket	S561125T1N	139	62	-	2	OSPTA201
5b	Screw M8x1,25	S96308A0101	-	-	-	12		
5a	Neutral cap with gasket	S561125T2	139	62	-	2	OSPTA2A1	
5b	Screw M8x1,25	S96308A0101	-	-	-	12		

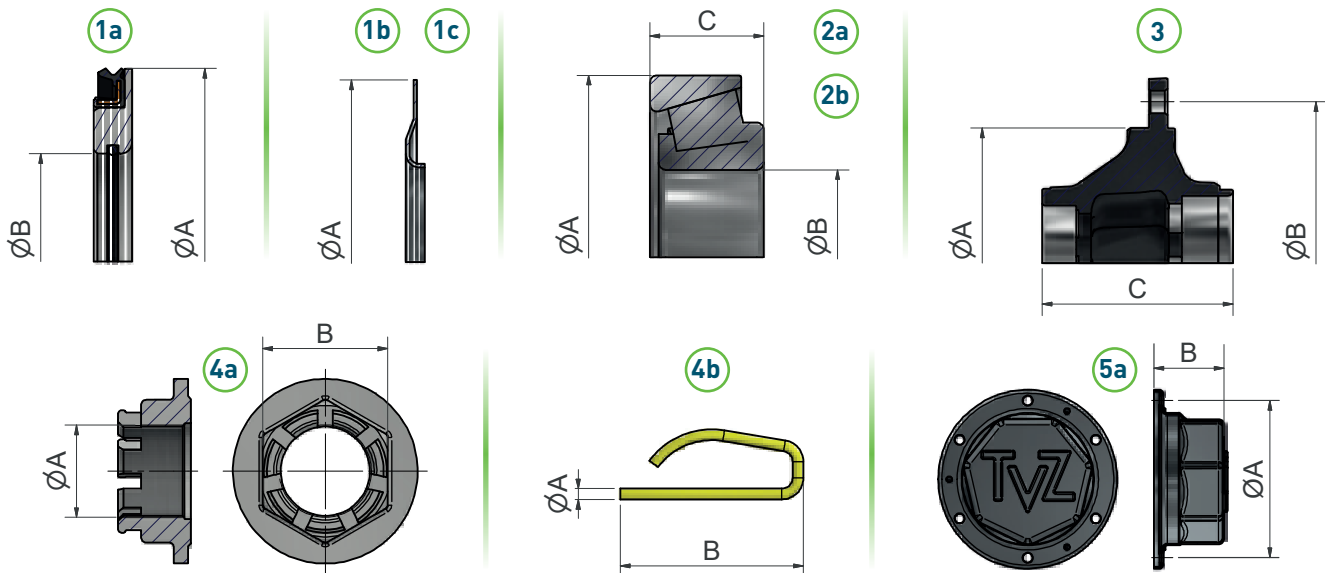


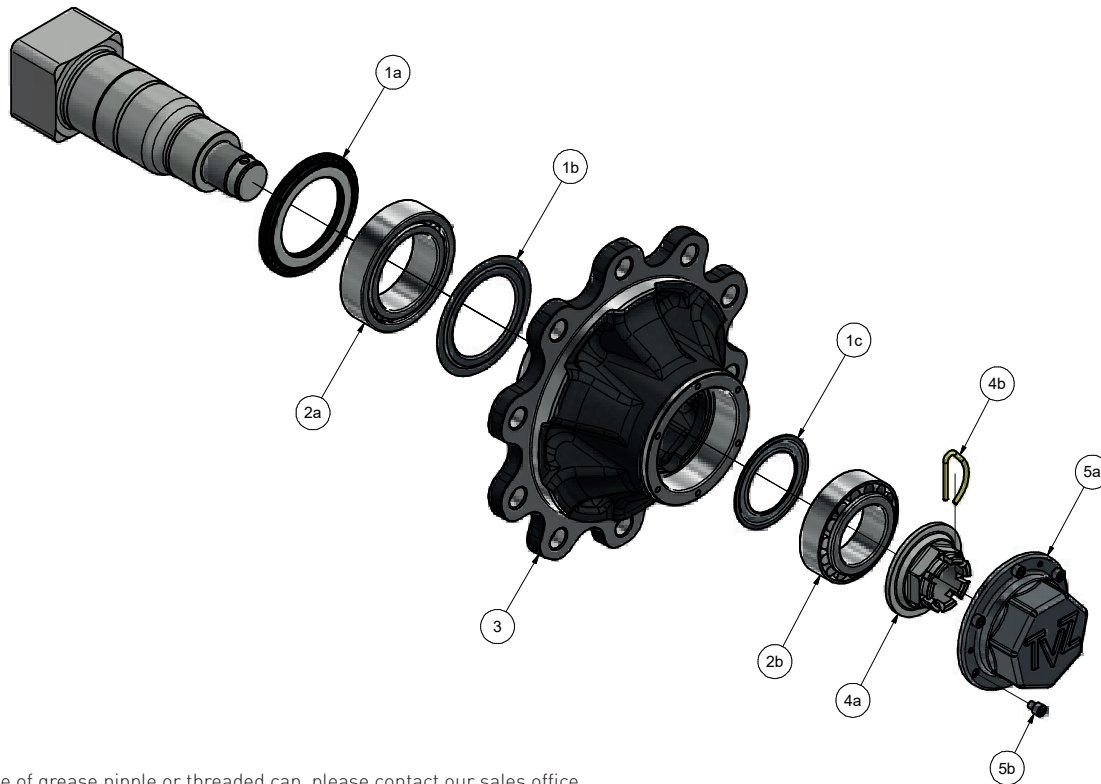
Type 898



(1) In case of grease nipple or threaded cap, please contact our sales office.

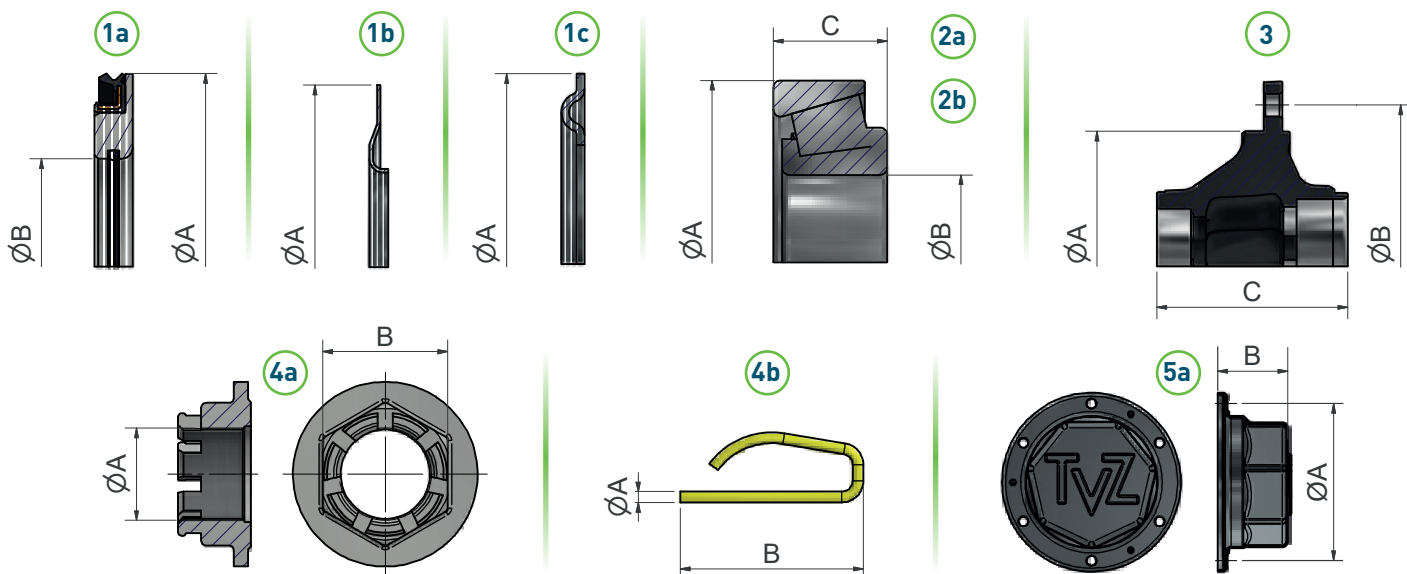
Hub type	Item	Description	Code	A	B	C	Q.ty	Kit code
898	1a	Ind. Seal	S5441501	150	87	-	1	OSP89801
	1b	Nilos 32217	S5511502	150	-	-	1	
	1c	Nilos 32214	S5511251	125	-	-	1	
	2a	Bearing 32217	S59132217	150	85	38,5	1	OSP89802
	2b	Bearing 32214	S59132214	125	70	33,25	1	
	3	Hub 8 holes M20X1,5	(1) S61L8UI002	220	275	167	1	S61L8UI002
		Hub 10 holes M22X1,5	(1) S61L1UI002	280	335	167	1	S61L1UI002
		Hub 10 holes M22X1,5	(1) S61LRUI001	175	225	167	1	S61LRUI001
	4a	Crown nut	S57548B6	M48x1,5	65	-	2	OSPD4802
	4b	Spring pin	S58209	5	58	-	2	
	5a	TVZ cap with gasket	S561125T1N	139	62	-	2	OSPTA201
	5b	Screw M8x1,25	S96308A0101	-	-	-	12	
5a	Neutral cap with gasket	S561125T2	139	62	-	2	OSPTA2A1	
5b	Screw M8x1,25	S96308A0101	-	-	-	12		



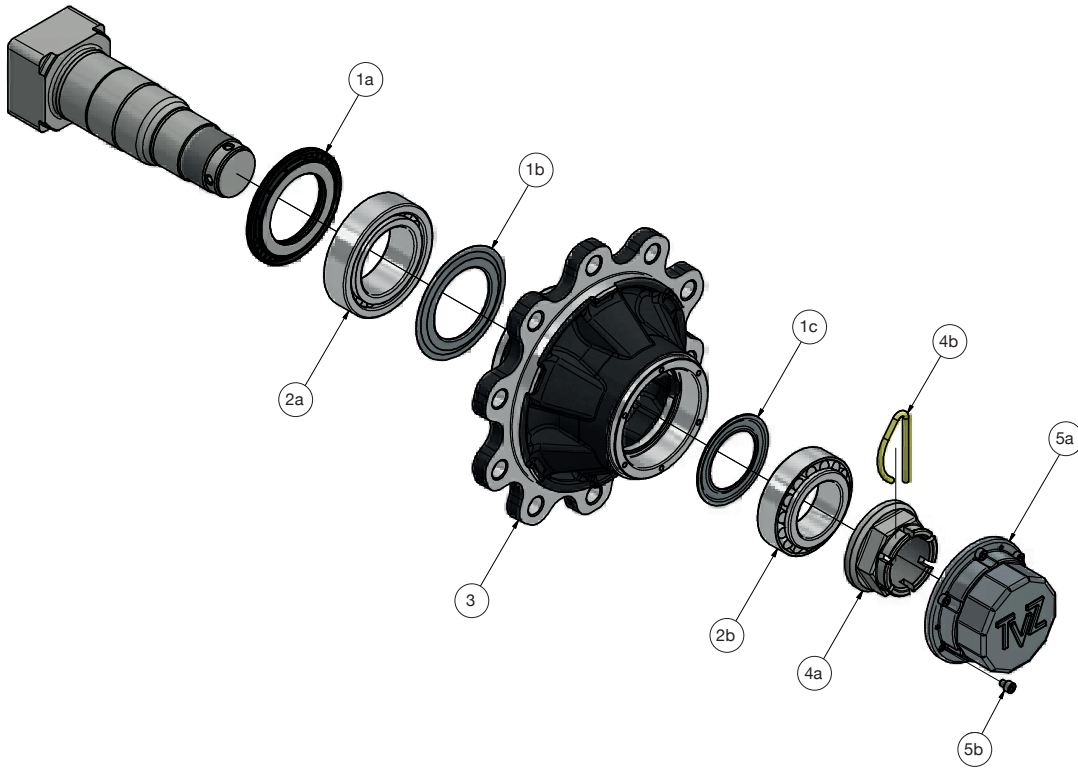


(1) In case of grease nipple or threaded cap, please contact our sales office.

Hub type	Item	Description	Code	A	B	C	Q.ty	Kit code
899	1a	Ind. Seal	S5441402	140	92	-	1	OSP89901
	1b	Nilos 33018	S5511402	140	-	-	1	
	1c	Nilos 33114	S5531092	109	-	-	1	
	2a	Bearing 33018	S59133018	140	90	39	1	OSP89902
	2b	Bearing 33114	S59133114	120	70	37	1	
	3	Hub 8 holes M20X1,5	(1) S61L8UA002	220	275	198	1	S61L8UA002
		Hub 10 holes M22X1,5	(1) S61L1UA003	280	335	198	1	S61L1UA003
		Hub 10 holes M22X1,5	(1) S61LRUA001	175	225	198	1	S61LRUA001
	4a	Crown nut	S57548B6	M48x1,5	65	-	2	OSPD4802
	4b	Spring pin	S58209	5	58	-	2	
	5a	TVZ cap with gasket	S561125T1N	139	62	-	2	OSPTA201
	5b	Screw M8x1,25	S96308A0101	-	-	-	12	
5a	Neutral cap with gasket	S561125T2	139	62	-	2	OSPTA2A1	
5b	Screw M8x1,25	S96308A0101	-	-	-	12		

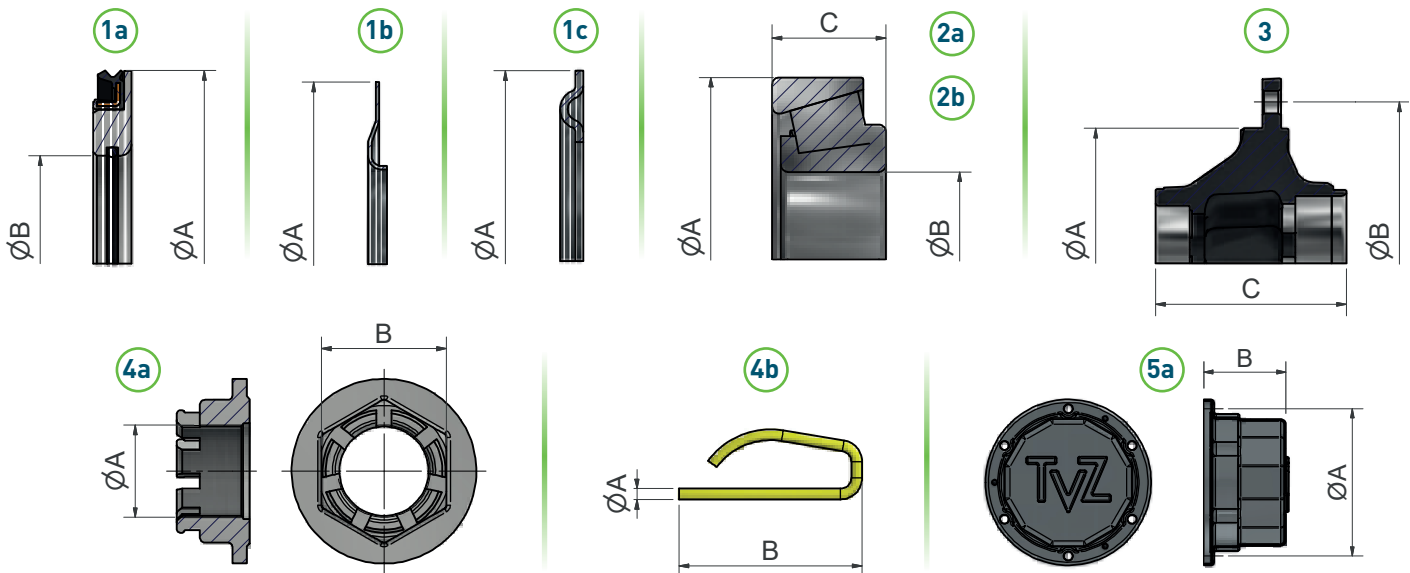


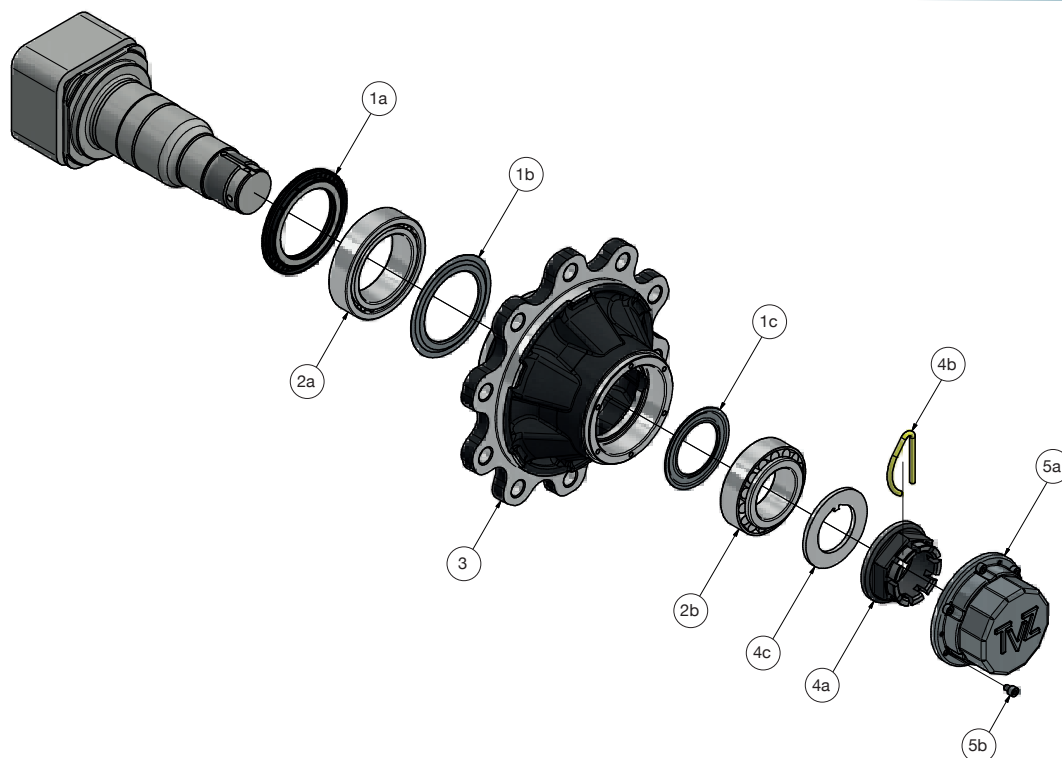
Type 991



(1) In case of grease nipple or threaded cap, please contact our sales office.

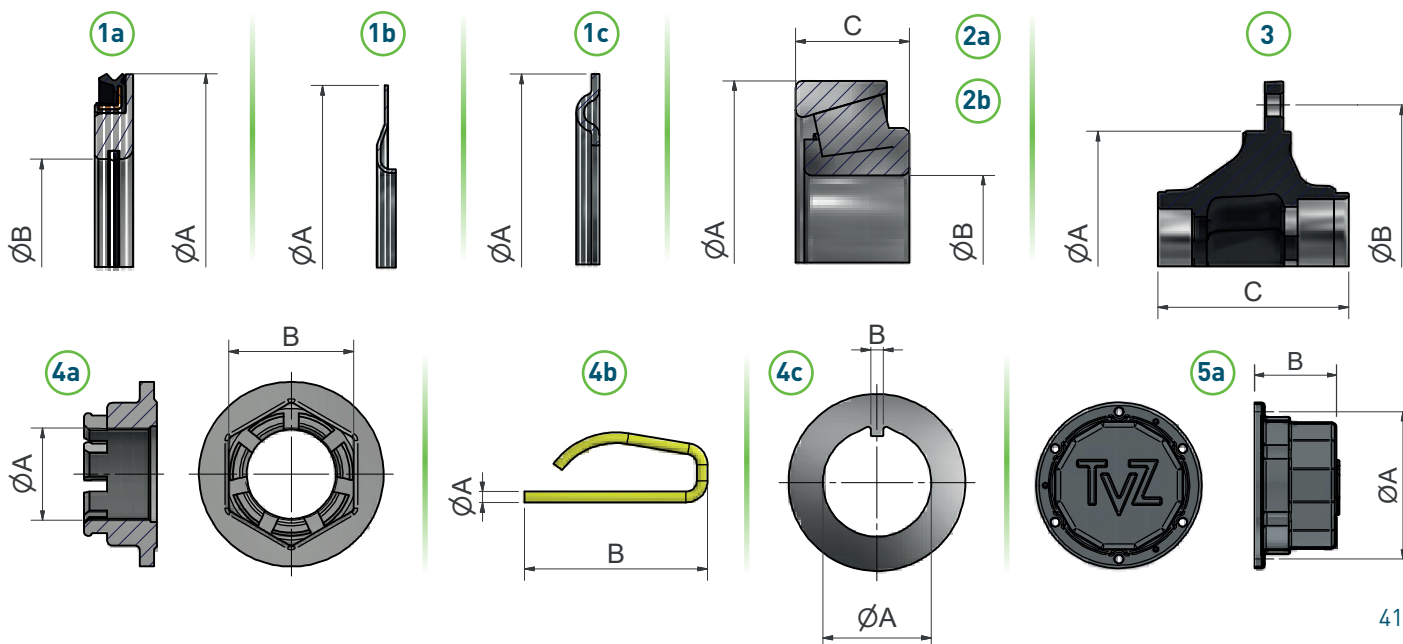
Hub type	Item	Description	Code	A	B	C	Q.ty	Kit code
991	1a	Ind. Seal	S5441502	150	92	-	1	OSP99101
	1b	Nilos 33118	S5511503	150	-	-	1	
	1c	Nilos 33215	S5531191	119	-	-	1	
	2a	Bearing 33118	S59133118	150	90	45	1	OSP99102
	2b	Bearing 33215	S59133215	130	75	41	1	
	3	Hub 10 holes M22X1,5	(1) S61L1VI001	280	335	204	1	S61L1VI001
	4a	Crown nut	S57570D1	M70x2	90	-	2	OSPD7001
	4b	Spring pin	S58207	106	7	-	2	
	5a	TVZ cap with gasket	S561130T1	144	80	-	2	OSPTA301
	5b	Screw M8x1,25	S96308A0101	-	-	-	12	
5a	Neutral cap with gasket	S561130T2	144	80	-	2	OSPTA3A1	
5b	Screw M8x1,25	S96308A0101	-	-	-	12		



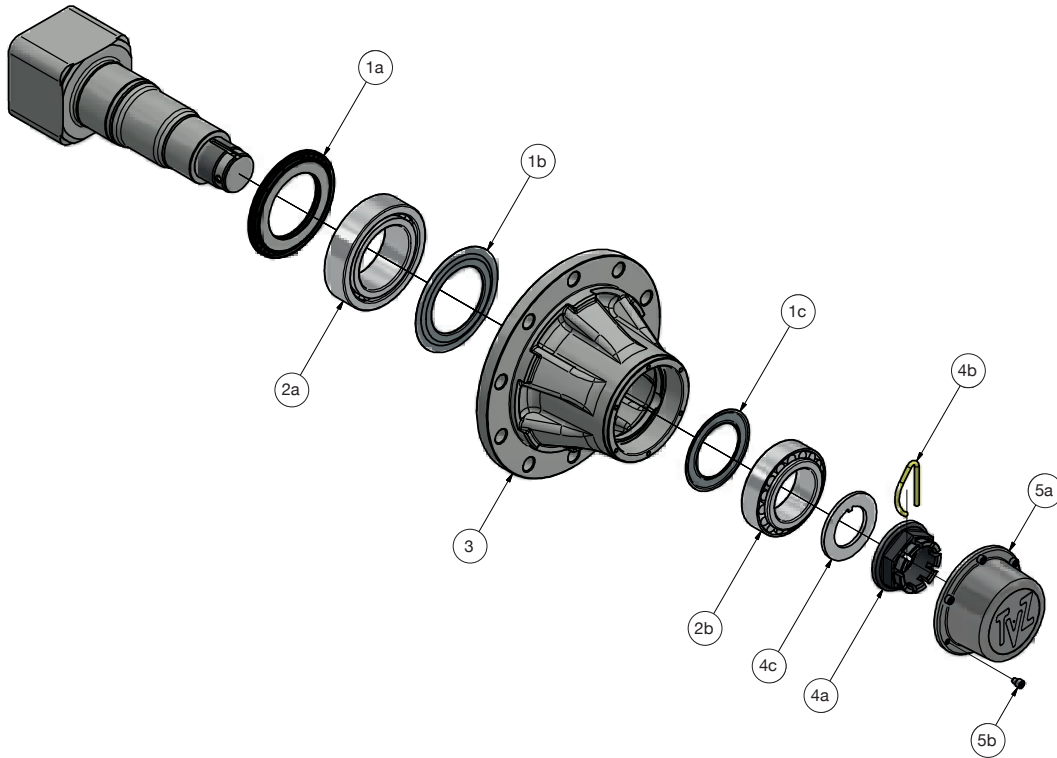


(1) In case of grease nipple or threaded cap, please contact our sales office.

Hub type	Item	Description	Code	A	B	C	Q.ty	Kit code
994	1a	Ind. Seal	S5441505	150	102	-	1	OSP99401
	1b	Nilos 33020	S5511501	150	-	-	1	
	1c	Nilos 33215	S5531191	119	-	-	1	
	2a	Bearing 33020	S59133020	150	100	39	1	OSP99402
	2b	Bearing 33215	S59133215	130	75	41	1	
	3	Hub 10 holes M22X1,5	(1) S61L1VI001	280	335	204	1	S61L1VI001
	4a	Crown nut	S57570D2	M70x2	90	-	2	OSPD7002
	4b	Spring pin	S58214	76	7	-	2	
	4c	Lock washer	S57B7002	70,5	8	-	2	
	5a	TVZ cap with gasket	S561130T1	144	80	-	2	OSPTA301
	5b	Screw M8x1,25	S96308A0101	-	-	-	12	OSPTA3A1
	5a	Neutral cap with gasket	S561130T2	144	80	-	2	
5b	Screw M8x1,25	S96308A0101	-	-	-	12		

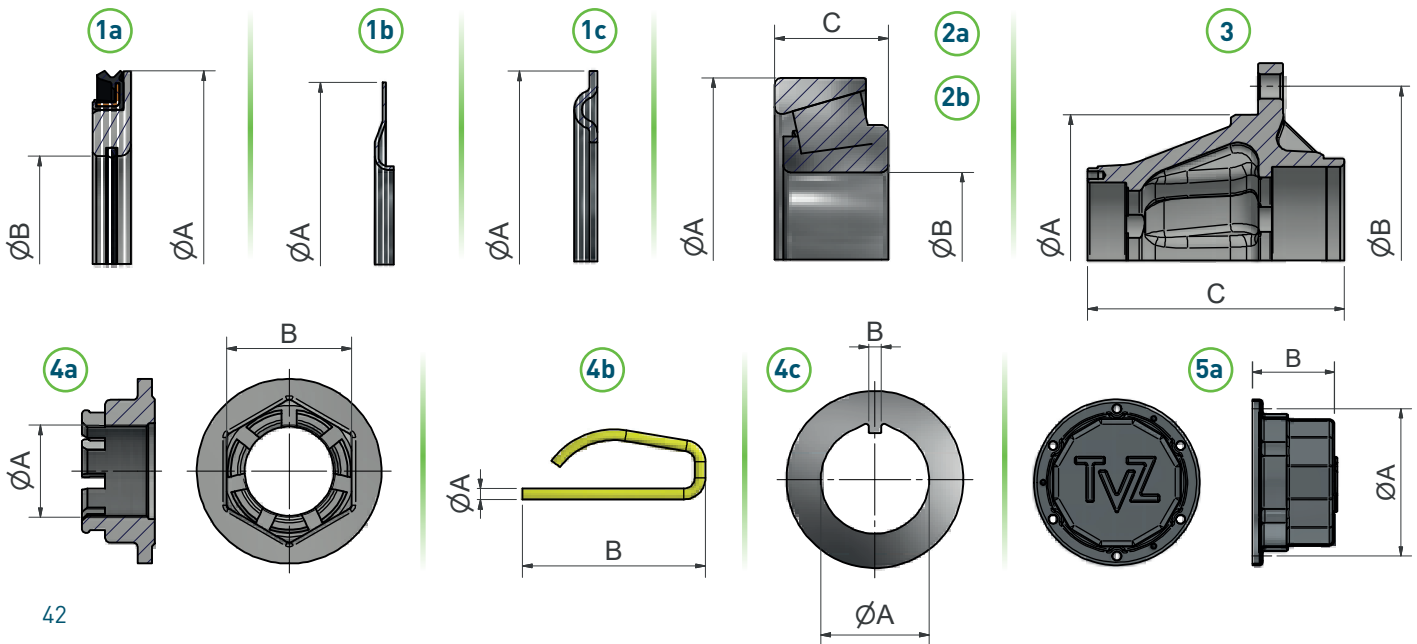


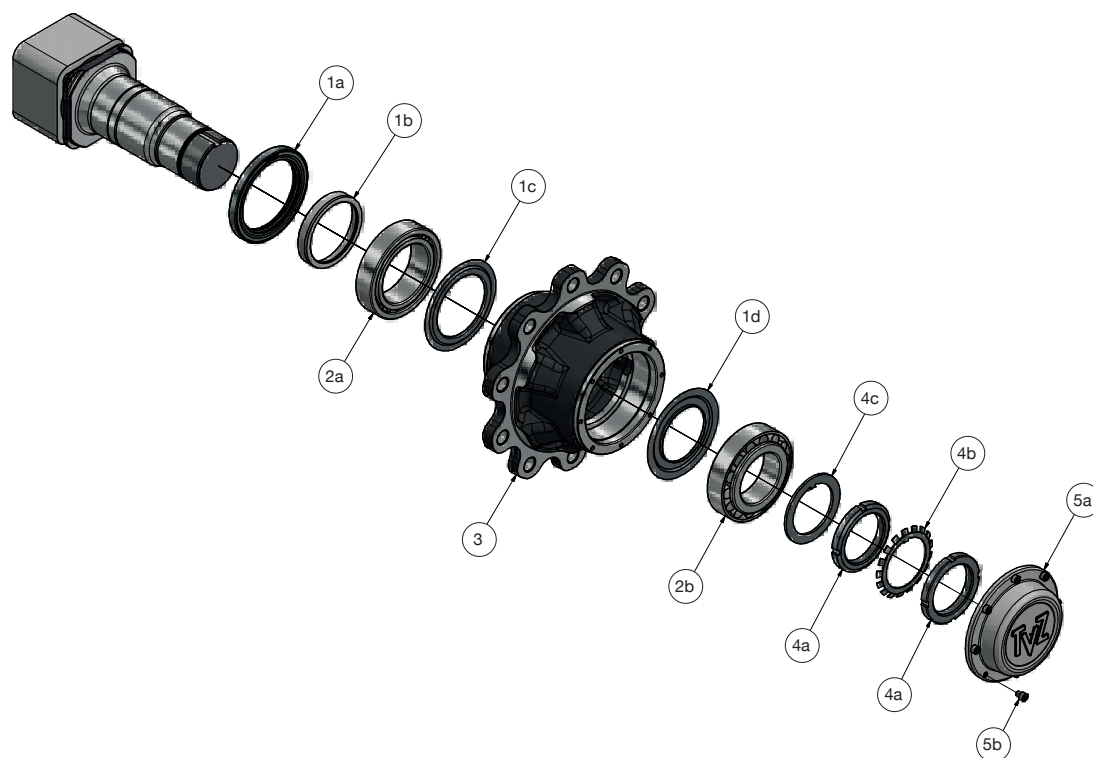
Type 996



[1] In case of grease nipple or threaded cap, please contact our sales office.

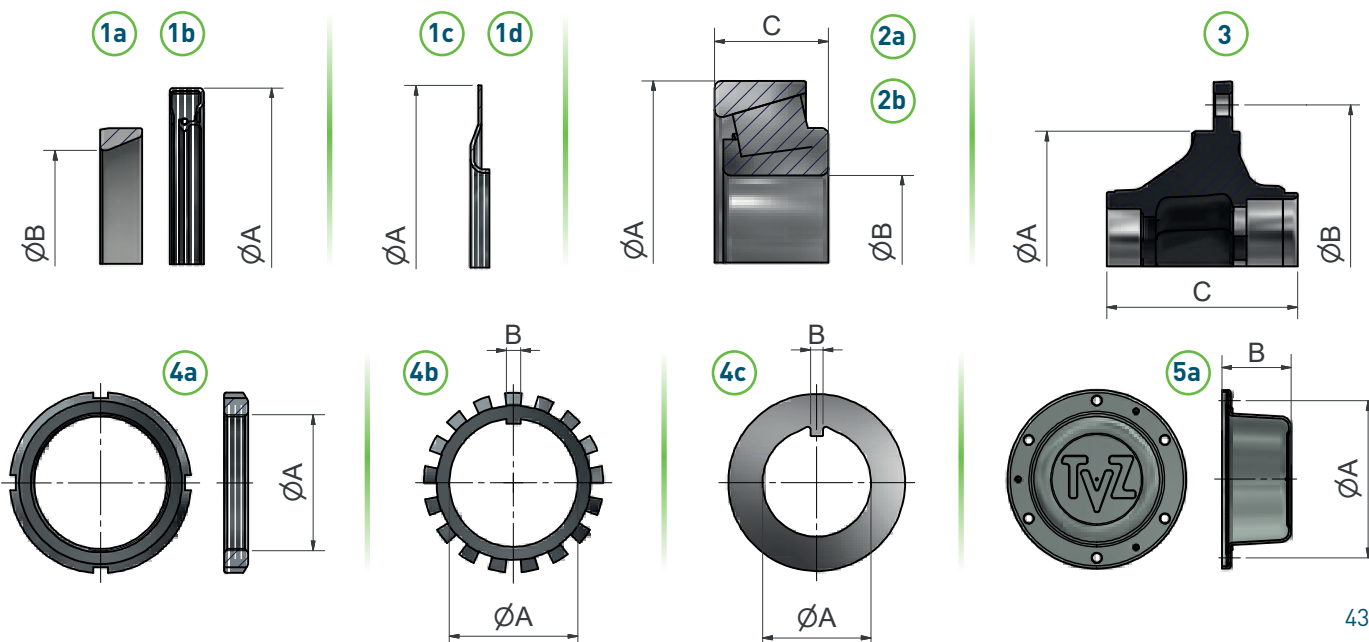
Hub type	Item	Description	Code	A	B	C	Q.ty	Kit code
996	1a	Ind. Seal	S5441801	180	112	-	1	OSP99601
	1b	Nilos 33122	S5511801	180	-	-	1	
	1c	Nilos 33118	S5531391	139	-	-	1	
	2a	Bearing 33122	S59133122	180	110	56	1	OSP99602
	2b	Bearing 33118	S59133118	150	90	45	1	
	3	Hub 10 holes M22X1,5	[1] S61L1ZA001	280	335	247	1	S61L1ZA001
	4a	Crown nut	S57570D2	M70x2	90	-	2	OSPD7002
	4b	Spring pin	S58214	76	7	-	2	
	4c	Lock washer	S57B7002	70,5	8	-	2	
	5a	TVZ cap with gasket	S6115011T	164	87	-	2	OSPTA501
	5b	Screw M8x1,25	S96308A0101	-	-	-	12	OSPTA5A1
	5a	Neutral cap with gasket	S6115011	164	87	-	1	
5b	Screw M8x1,25	S96308A0101	-	-	-	12		



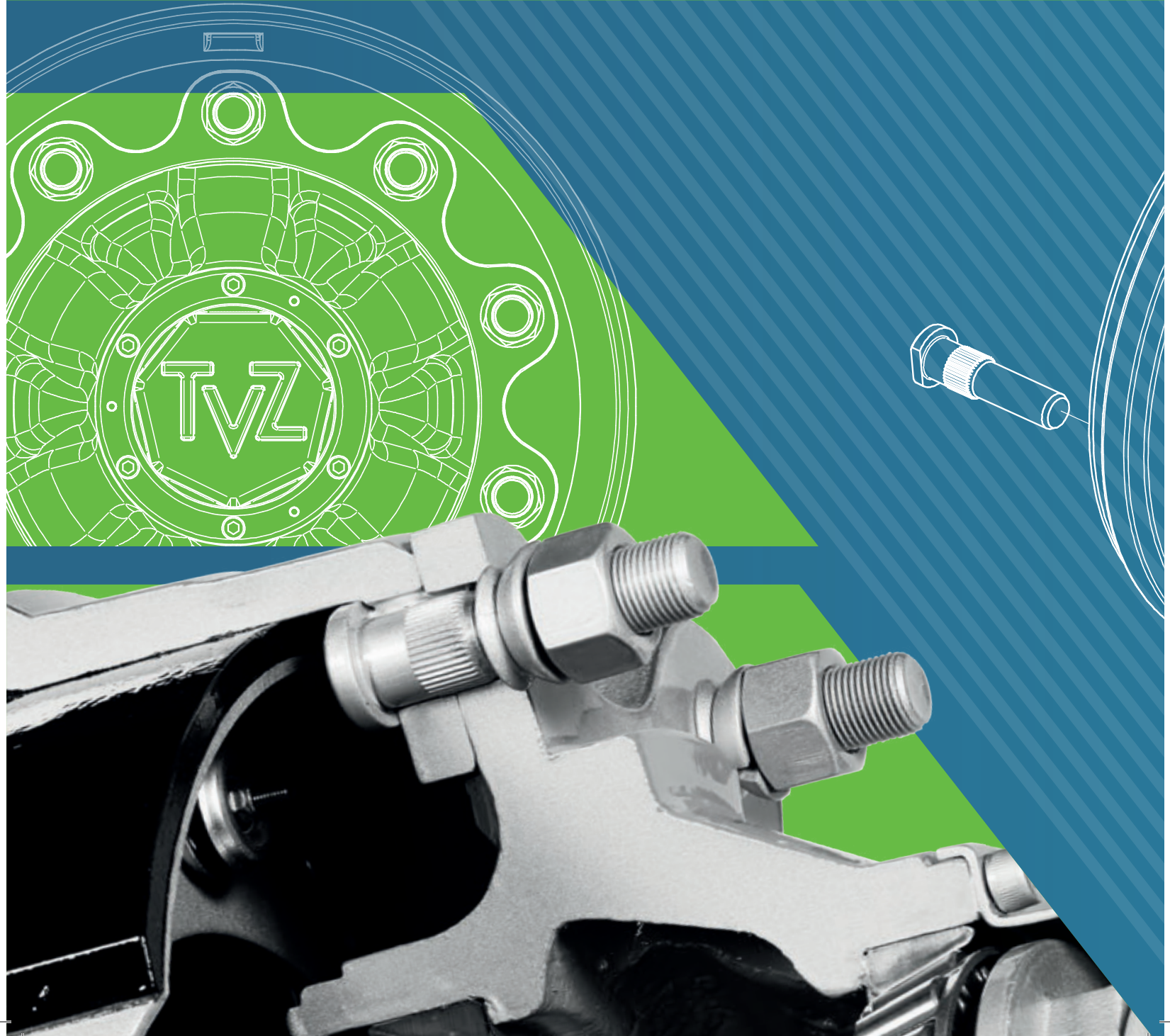


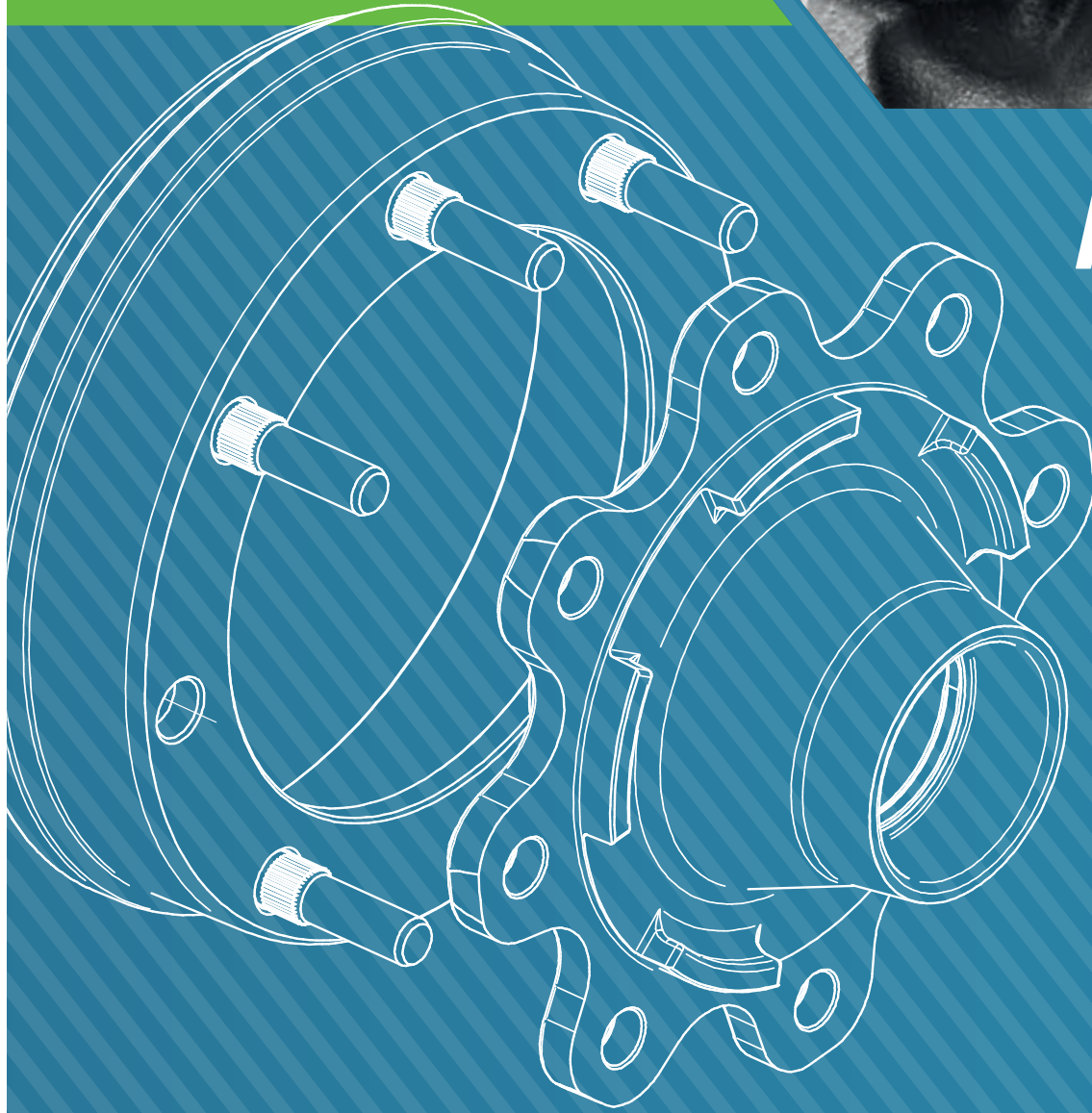
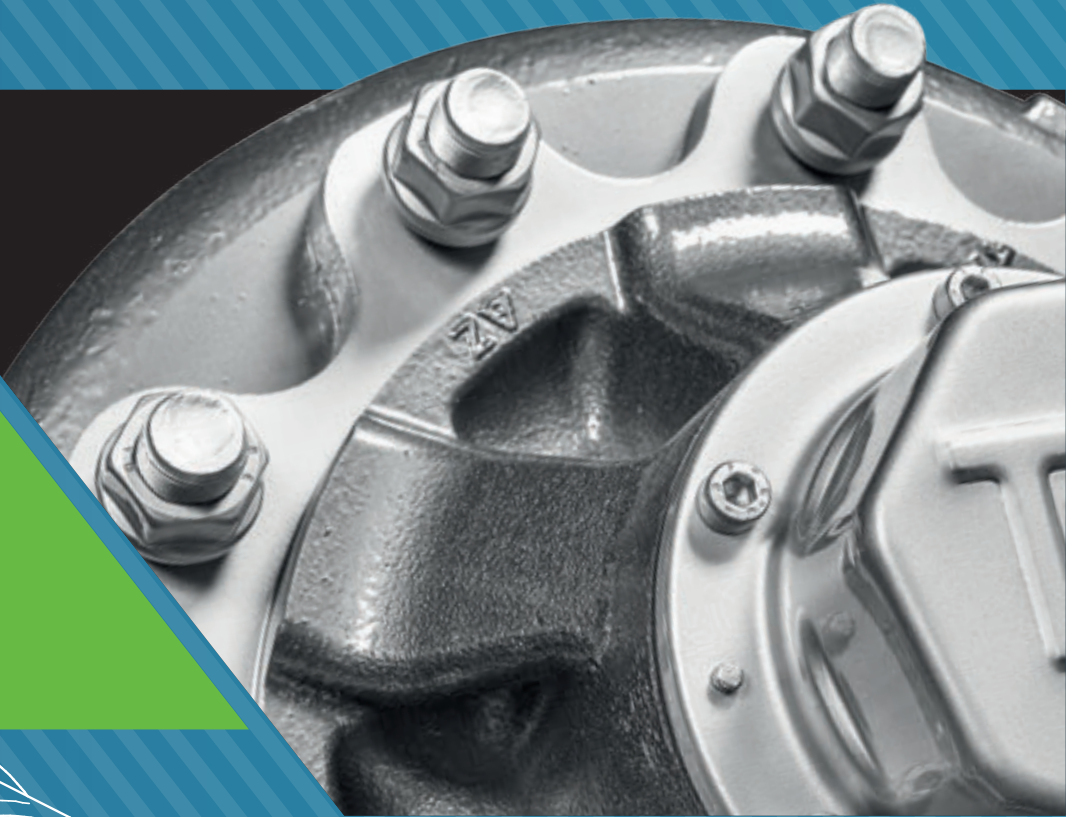
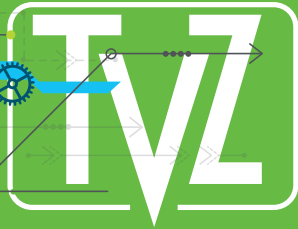
(1) In case of grease nipple or threaded cap, please contact our sales office.

Hub type	Item	Description	Code	A	B	C	Q.ty	Kit code
998	1a	Outside ring for cassette seal	S5491651	165	-	-	1	OSP99801
	1b	Inside ring for cassette seal	S54S1602	106	-	-	1	
	1c	Nilos 33021	S5511602	160	-	-	1	
	1d	Nilos 32218	S5511601	160	-	-	1	
	2a	Bearing 33021	S59133021	160	105	43	1	OSP99802
	2b	Bearing 32218	S59132218	160	90	42,5	1	
	3	Hub 10 holes M22X1,5	[1] S61L1PB001	280	335	225	1	S61L1PB001
	4a	Round nut	S98490D1	M90x2	-	-	2	OSP99804
	4b	Lock washer	S98809001	90	10	-	1	
	4c	Lock washer	S57B9002	90	10	-	1	
5a	Neutral cap with gasket	S56116020	184	48	-	2	OSPTA6A1	
5b	Screw M8x1,25	S96308A0101	-	-	-	16		



TVZ

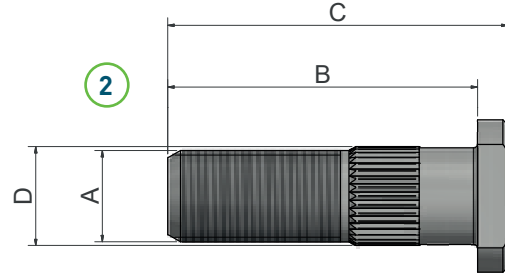
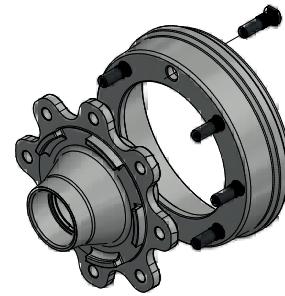
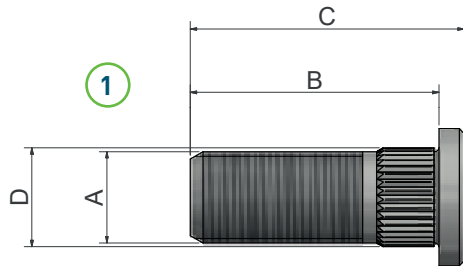
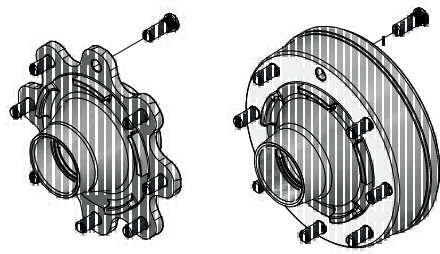




ATTACCHI

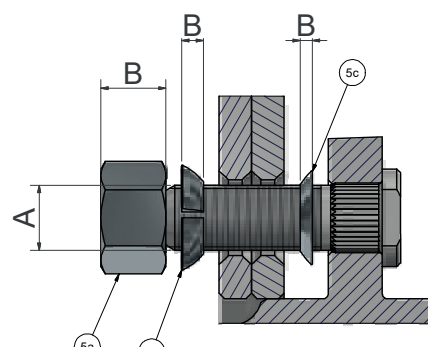
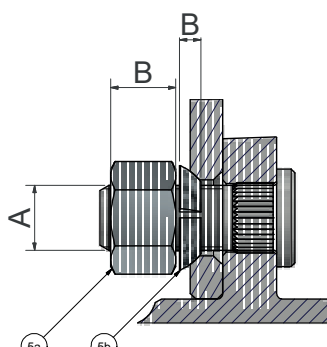
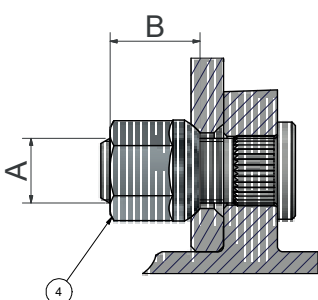
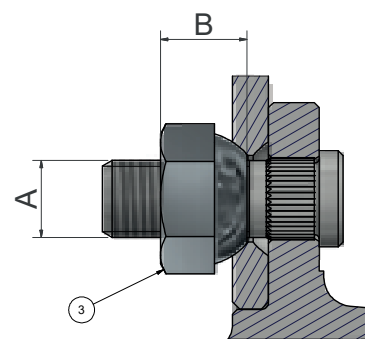
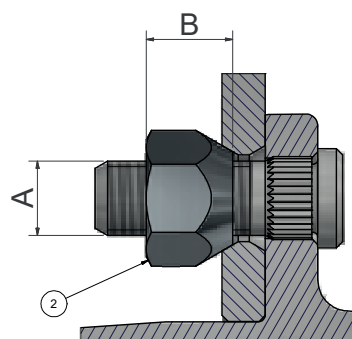
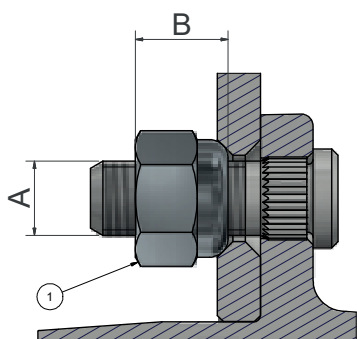
Fittings

Wheel studs



(1) For hub type 660, 661, 662, 663, 671, 672, 880, 888 and brake 350X80 please contact our sales office
 (2) GEOMET

A	Item	Description	Code	B	C	D	Q.ty	Kit code	
M12X1,5	1	Stud for single wheel	S57112B1	36	40	13,5	24	OSF0120A	
M14X1,5	1	Stud for single wheel	S57114B1	41	45	15,5	24	OSF0140B	
M16X1,5	1	Stud for single wheel	S57116B1	45	50	17	20	OSF0160B	
M18X1,5	1	Stud for single wheel	(1) S57118B1	49	54	19,5	12	OSF0180C	
							16	OSF0180D	
		Stud for twin wheels	(1) S57118B3	60	65	19,5	12	OSF0181C	
	2							16	OSF0181D
		Special stud	(1) S57118B16	59	65	21,5	12	OSF0182C	
								16	OSF0182D
		Stud for single wheel	(1) S57118B4	61	67	19,5	12	OSF0183C	
								16	OSF0183D
		Stud for twin wheels	(1) S57118B5	75	81	19,5	12	OSF0184C	
						16	OSF0184D		
		Special stud	(1) S57118B7	78	84	21,5	12	OSF0185C	
						16	OSF0185D		
M20X1,5	1	Stud for single wheel	(2) S57120B11	59	68	21,5	12	OSF0200C	
							16	OSF0200D	
	2	Stud for twin wheels	S57120B2	70	79	21,5	12	OSF0201C	
							16	OSF0201D	
		Stud for single wheel	(2) S57120B10	74	83	21,5	12	OSF0202C	
							16	OSF0202D	
		Stud for twin wheels	(2) S57120B13	87	96	21,5	12	OSF0203C	
						16	OSF0203D		
M22X1,5	1	Stud for single wheel	(2) S57122B13	71	77	24,1	16	OSF0220D	
							20	OSF0220E	
	2	Stud for twin wheels	S57122B1	84	90	24,1	16	OSF0221D	
							20	OSF0221E	
		Stud for single wheel	(2) S57122B17	80	89	24,1	16	OSF0222D	
							20	OSF0222E	
		Stud for twin wheels	(2) S57122B18	93	102	24,1	16	OSF0223D	
							OSF0223E		

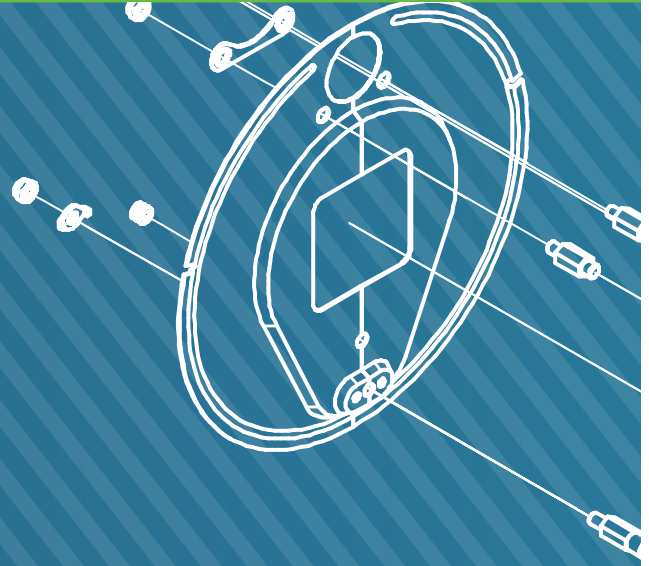
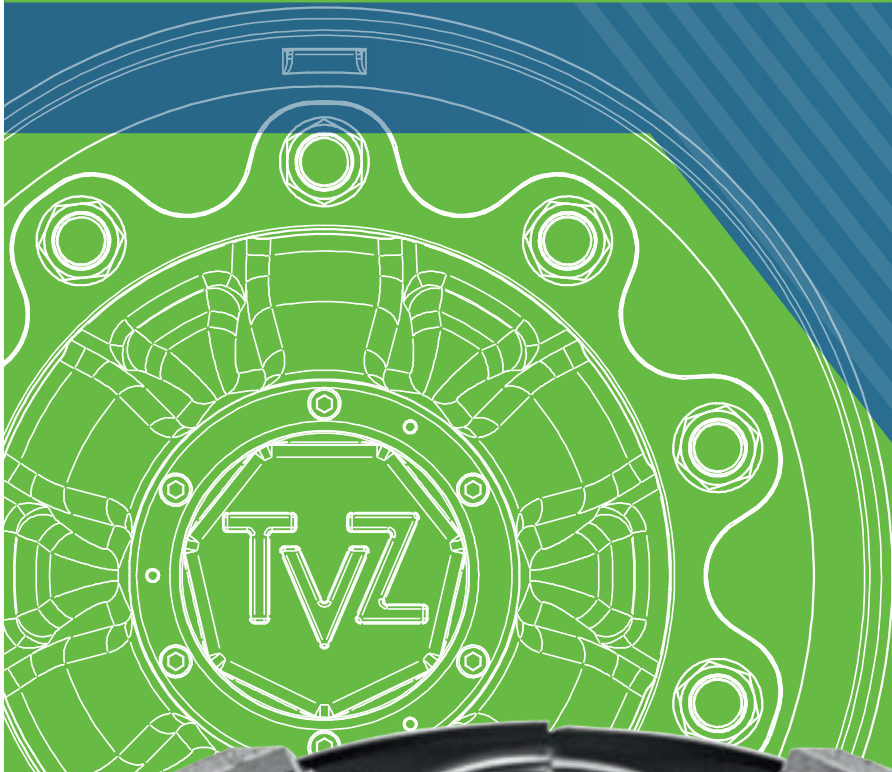


SINGLE WHEEL

TWIN WHEELS

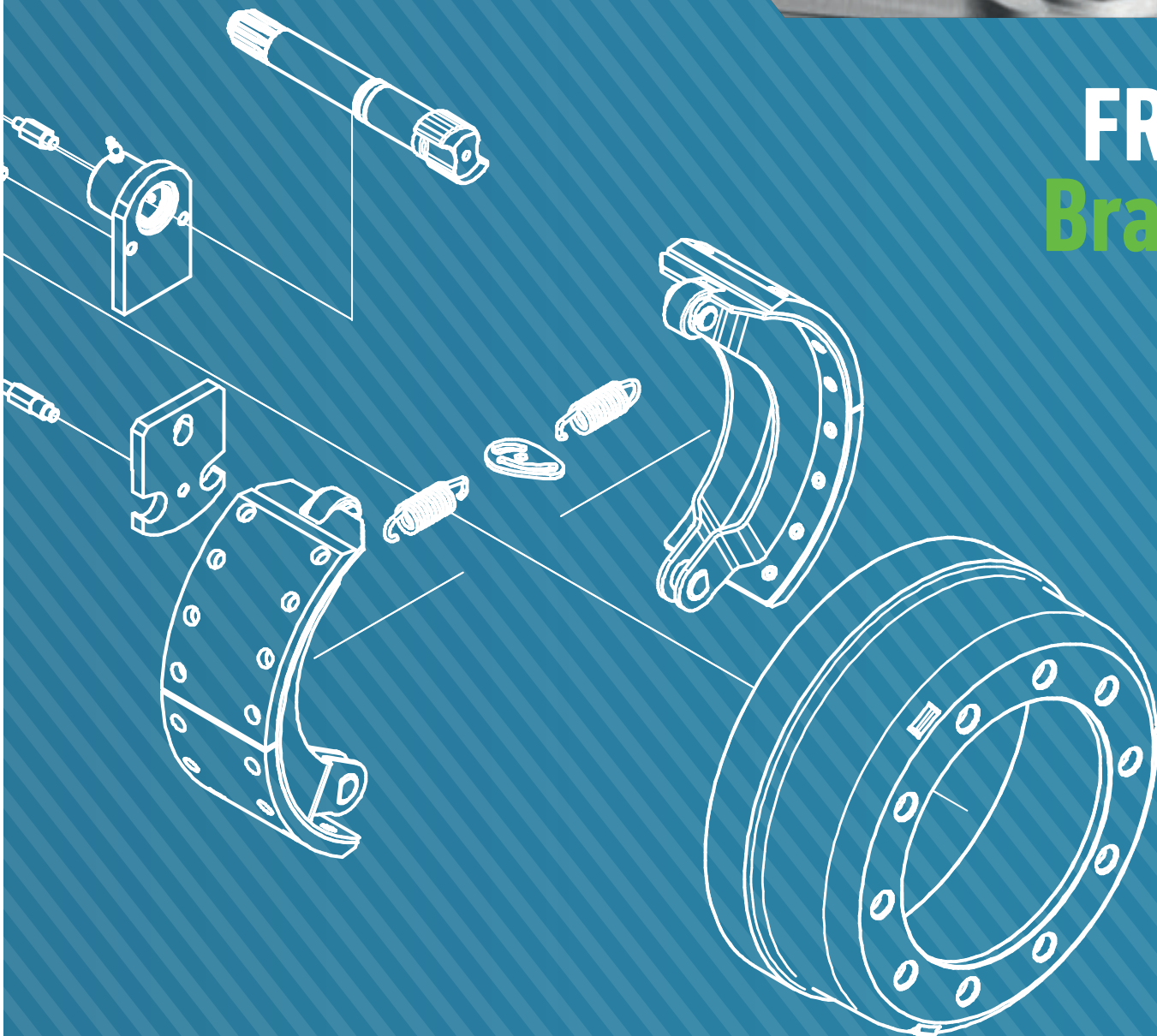
A	Item	Description	Code	B	Q.ty	Kit code	
M12X1,5	1	Wheel nut R3	S57312B1	15	24	OSN0120A	
	2	Wheel nut conical 60°	S57312B4	14	24	OSN0121A	
	4	Wheel nut german type	S57312B2	18	24	OSN0122A	
M14X1,5	4	Wheel nut german type	S57314B1	20	24	OSN0140B	
M16X1,5	3	Wheel nut spherical R14	S57316B1	18	20	OSN0160B	
M18X1,5	4	Wheel nut german type	S57318B4	25	12	OSN0180C	
					16	OSN0180D	
	5a	Wheel nut	S57318B1	18	12	OSN0181C	
	5b	Ring	S574181	6	12		
	5c	Ring for twin wheels	S574182	4	12		
		5a	Wheel nut	S57318B1	18	16	OSN0181D
	5b	Ring	S574181	6	16		
	5c	Ring for twin wheels	S574182	4	16		
M20X1,5	5a	Wheel nut	S57320B1	20	12	OSN0200C	
	5b	Ring	S574201	8	12		
	5c	Ring for twin wheels	S574202	5,5	12		
		5a	Wheel nut	S57320B1	20	16	OSN0200D
		5b	Ring	S574201	8	16	
		5c	Ring for twin wheels	S574202	5,5	16	
M22X1,5	5a	Wheel nut	S57322B1	22	16	OSN0220D	
	5b	Ring	S574221	8	16		
	5c	Ring for twin wheels	S574222	6	16		
		5a	Wheel nut	S57322B1	22	20	OSN0220E
		5b	Ring	S574221	8	20	
		6	Ring for twin wheels	S574222	6	20	

TVZ

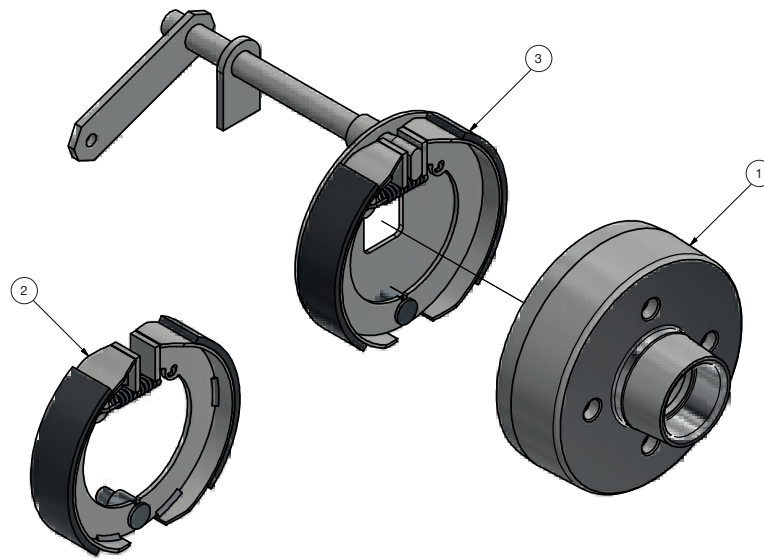




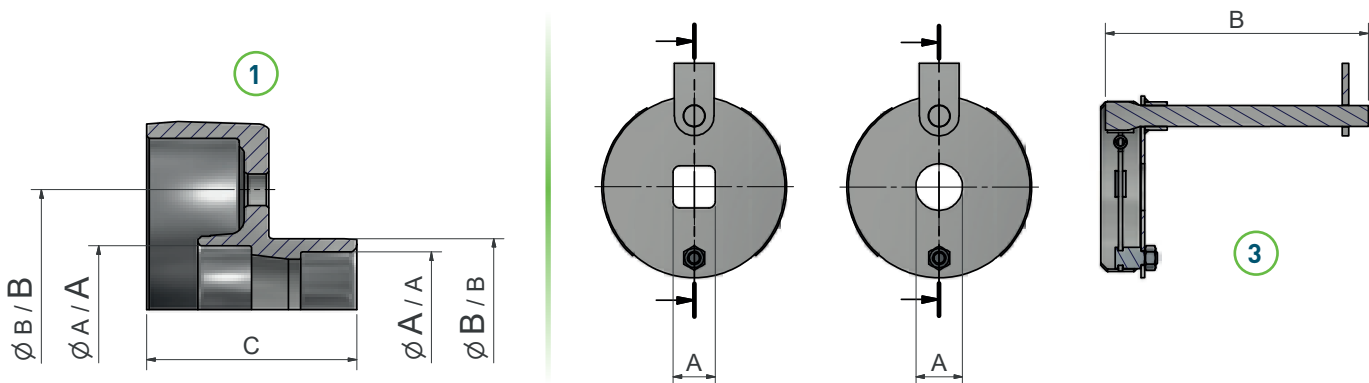
FRENI Brakes

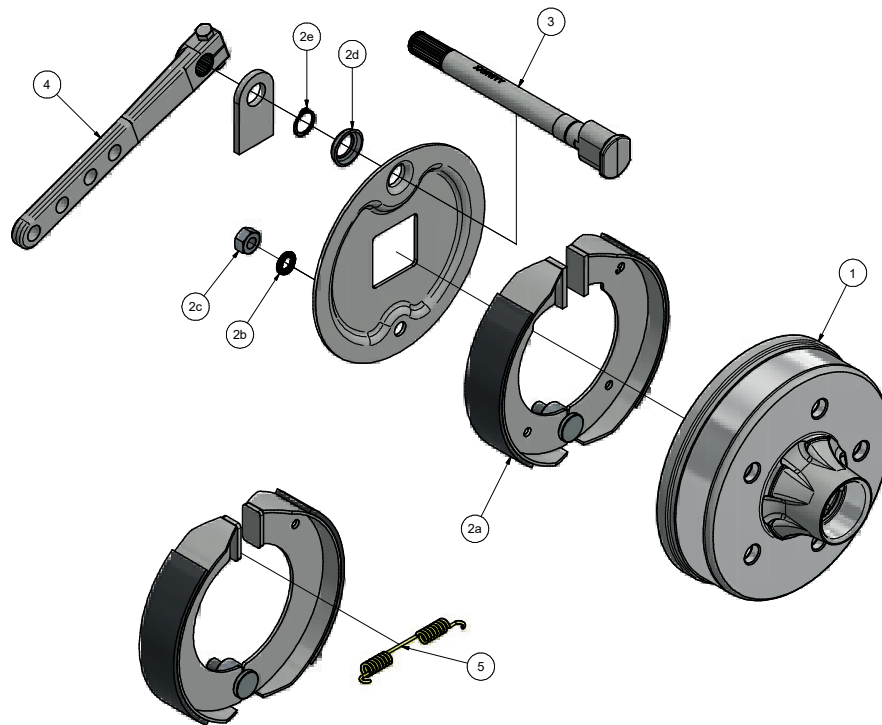


140 - 140x30



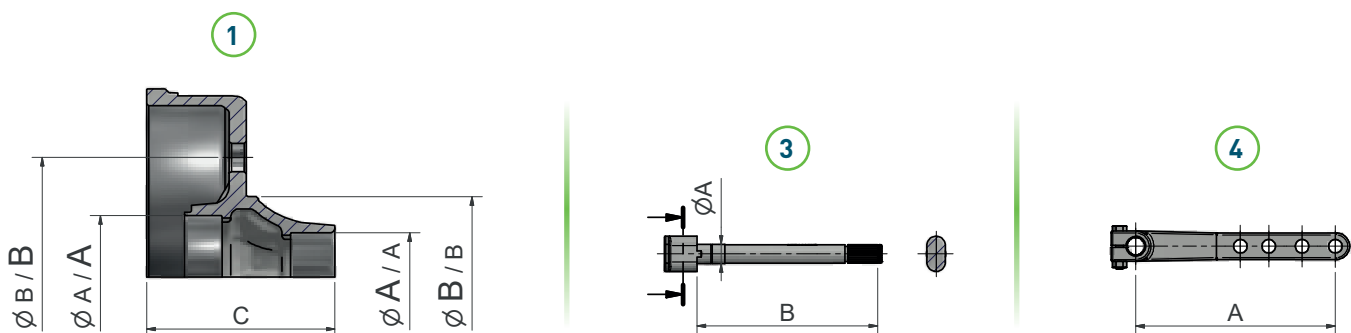
Brake	Item	Description	Code	A	B	C	Q.ty	Kit code
140	1	Solid drum 4 holes for M12x1,5	S65L4BA01	47 / 62	58 / 98	86	1	S65L4BA01
	2	Brake B.1109	S9FCA140	-	-	-	1	S9FCA140
	3	Brake assembly	S916MF140	□30	62	-	1	S916MF140
			S916MF140L8	□30	200	-	1	S916MF140L8
			S916MF140L9	□30	280	-	1	S916MF140L9
			S916MF140L	□35	62	-	1	S916MF140L
			S916MF140L5	□35	200	-	1	S916MF140L5
			S916MF140L13	□35	280	-	1	S916MF140L13
			S916MF140L1	∅30	62	-	1	S916MF140L1
			S916MF140L6	∅30	200	-	1	S916MF140L6
			S916MF140L4	∅30	280	-	1	S916MF140L4
			S916MF140L2	∅35	62	-	1	S916MF140L2
	S916MF1407	∅35	200	-	1	S916MF1407		



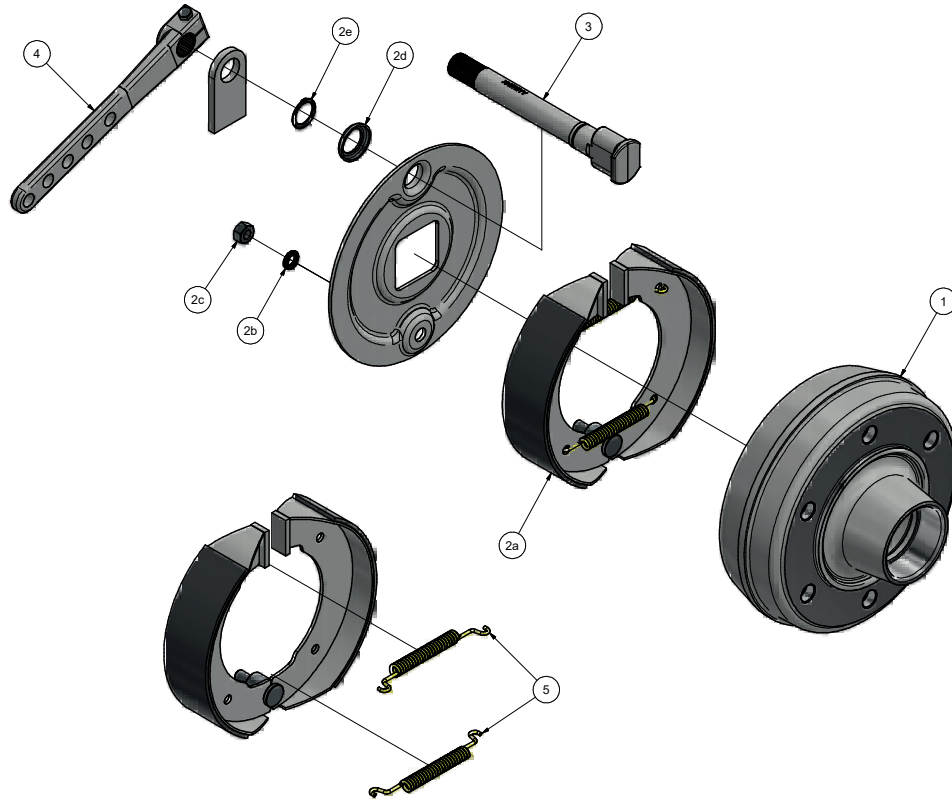


(1) From 100 to 300mm step 25mm. From 300 to 1200mm step 50mm.

Brake	Item	Description	Code	A	B	C	Q.ty	Kit code
20M	1	Solid drum 5 holes for M16X1,5	S65L5GA01	52 / 72	94 / 140	110	1	S65L5GA01
		Solid drum 5 holes for M16X1,5	S65L5IA01	62 / 80	94 / 140	118	1	S65L5IA01
		Solid drum 5 holes for M16X1,5	S65L5JA03	62 / 85	94 / 140	118	1	S65L5JA03
	2a	Brake assembly B.1117	S731BG01	-	-	-	1	OSB0BG01
	2b	Twin washer M12	S9800121	-	-	-	1	
	2c	Nut M12X1,75	S97112C1	-	-	-	1	
	2d	Lock ring	S914A020	-	-	-	1	
	2e	Seeger Ø20	S58501	-	-	-	1	
	3	Camshaft	S7512021...	21	(1)	-	1	S7512021...
	4	Lever	S7619204	210	-	-	1	S7619204
5	Spring	S738101	-	-	-	1	S738101	

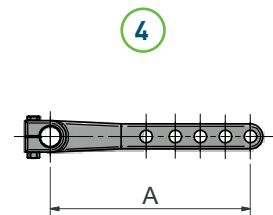
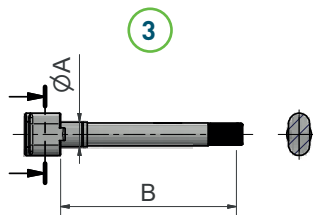
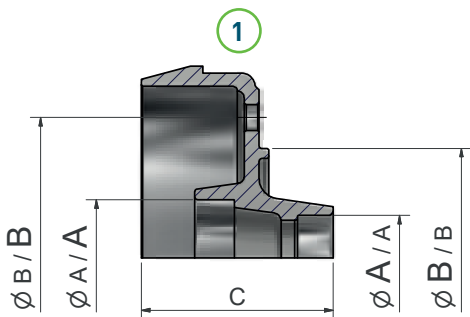


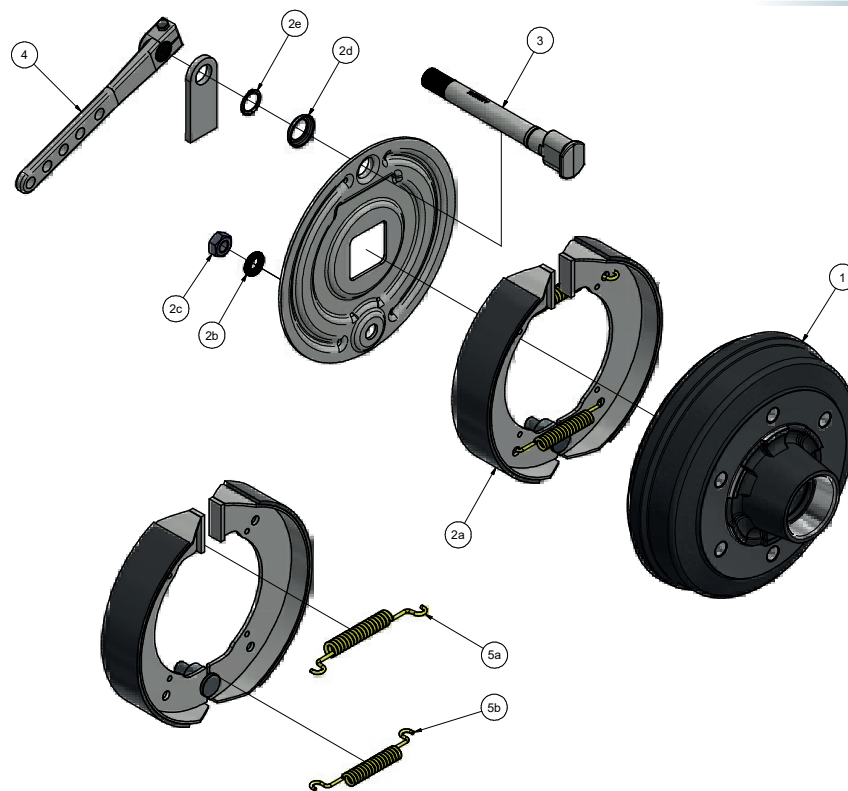
25M - 250x60



(1) From 100 to 300mm step 25mm. From 300 to 1200mm step 50mm.

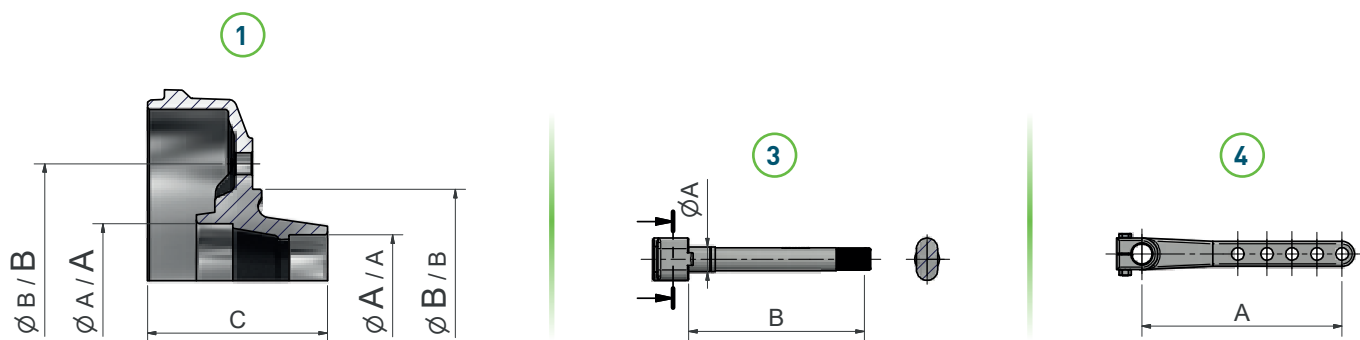
Brake	Item	Description	Code	A	B	C	Q.ty	Kit code
25M	1	Solid drum 5 holes for M16X1,5	S65L5JA01	62 / 85	94 / 140	140	1	S65L5JA01
		Solid drum 6 holes for M18X1,5	S65L6JA01	62 / 85	160 / 205	140	1	S65L6JA01
		Solid drum 6 holes for M18X1,5	S65L6LA03	80 / 100	160 / 205	152	1	S65L6LA03
	2a	Brake assembly B.1117	S9FCA250Z60	-	-	-	1	OSB0DA01
	2b	Twin washer M12	S9800122	-	-	-	1	
	2c	Nut M12X1,75	S97112C1	-	-	-	1	
	2d	Lock ring	S914A026	-	-	-	1	
	2e	Seeger Ø28	S58509	-	-	-	1	
	2a	Brake assembly RAD	S731DF01	-	-	-	1	OSB0DAA1
	2b	Twin washer M12	S9800122	-	-	-	1	
	2c	Nut M12X1,75	S97112C1	-	-	-	1	
	2d	Lock ring	S914A026	-	-	-	1	
	2e	Seeger Ø28	S58509	-	-	-	1	
	3	Camshaft	S7522631...	28	{1}	-	1	S7522631...
	4	Lever	S7619324	240	-	-	1	S7619324
5	Spring	S738122	-	-	-	2	OSB0DA02	



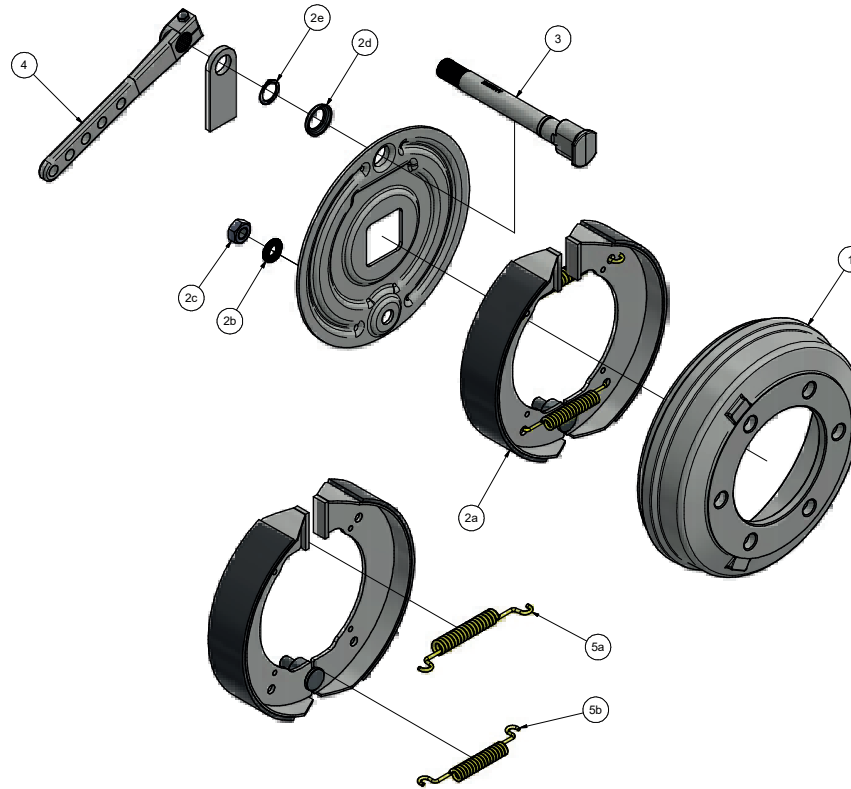


(1) From 100 to 300mm step 25mm. From 300 to 1200mm step 50mm.

Brake	Item	Description	Code	A	B	C	Q.ty	Kit code
30M	1	Solid drum 6 holes for M18	S65L6LA06	80 / 100	160 / 205	158	1	S65L6LA06
		Solid drum 6 holes for M18	S65L6NA02	90 / 120	160 / 205	176	1	S65L6NA02
		Solid drum 6 holes for M20	S65L6NA03	90 / 120	160 / 205	176	1	S65L6NA03
		Solid drum 8 holes for M18	S65L8NA03	90 / 120	220 / 275	176	1	S65L8NA03
	2a	Brake assembly B.1117	S9FCA300Z0	-	-	-	1	OSB0F001
	2b	Twin washer M16	S9800162	-	-	-	1	
	2c	Nut M16X2	S97116D1	-	-	-	1	
	2d	Lock ring	S914A026	-	-	-	1	
	2e	Seeger Ø28	S58509	-	-	-	1	
	2a	Brake assembly RAD	S731FF01	-	-	-	1	OSB0F0A1
	2b	Twin washer M16	S9800162	-	-	-	1	
	2c	Nut M16X2	S97116D1	-	-	-	1	
	2d	Lock ring	S914A026	-	-	-	1	
	2e	Seeger Ø28	S58509	-	-	-	1	
	3	Camshaft	S7522631...	28	{1}	-	1	S7522631...
	4	Lever	S7619324	240	-	-	1	S7619324
5a	Spring	S738108	-	-	-	1	OSB0F002	
5b	Spring	S738107	-	-	-	1		

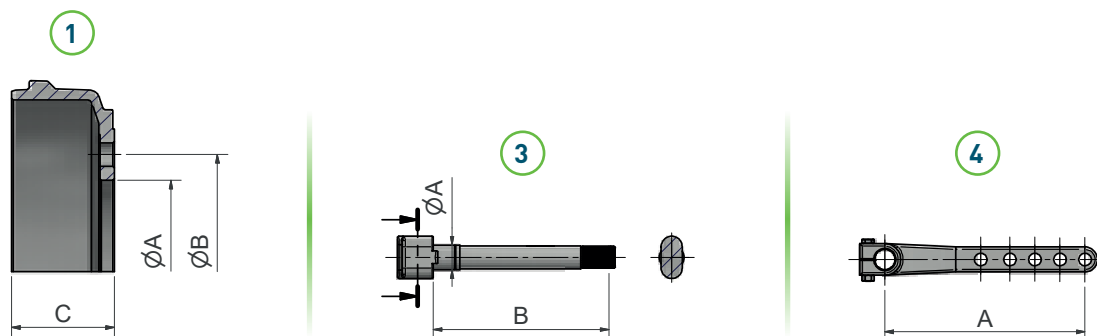


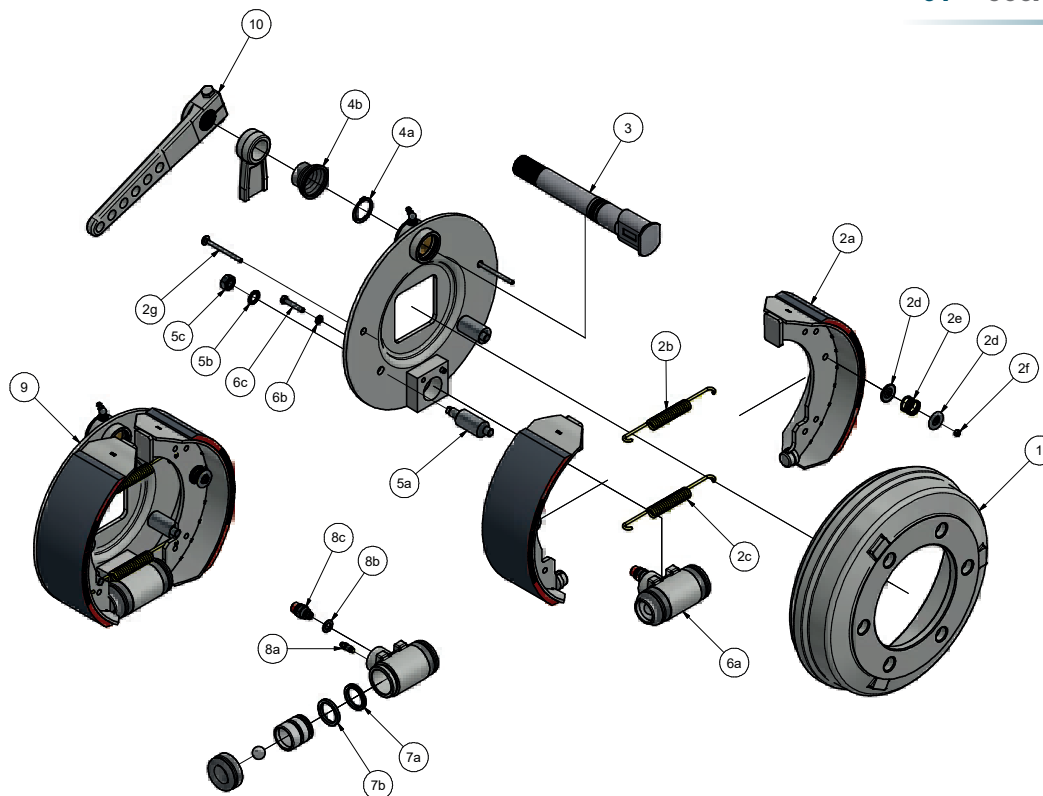
30G - 300x60



(1) From 100 to 300mm step 25mm. From 300 to 1200mm step 50mm.

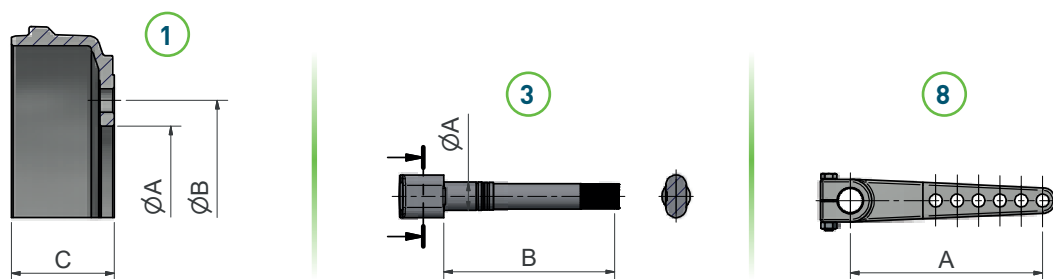
Brake	Item	Description	Code	A	B	C	Q.ty	Kit code
30G	1	Drum 6 holes for M18	S66LFG0602	160	205	90	1	S66LFG0602
		Drum 6 holes for M20	S66LFG0603	160	205	90	1	S66LFG0603
		Drum 8 holes for M20	S66LFG0801	220	275	90	1	S66LFG0801
	2a	Brake assembly B.1117	S9FCA300Z0	-	-	-	1	OSB0F001
	2b	Twin washer M16	S9800162	-	-	-	1	
	2c	Nut M16X2	S97116D1	-	-	-	1	
	2d	Lock ring	S914A026	-	-	-	1	
	2e	Seeger Ø28	S58509	-	-	-	1	
	2a	Brake assembly RAD	S731FF01	-	-	-	1	OSB0F0A1
	2b	Twin washer M16	S9800162	-	-	-	1	
	2c	Nut M16X2	S97116D1	-	-	-	1	
	2d	Lock ring	S914A026	-	-	-	1	
	2e	Seeger Ø28	S58509	-	-	-	1	
	3	Camshaft	S7522631...	28	(1)	-	1	S7522631...
	4	Lever	S7619324	240	-	-	1	S7619324
5a	Spring	S738108	-	-	-	1	OSB0F002	
5b	Spring	S738107	-	-	-	1		



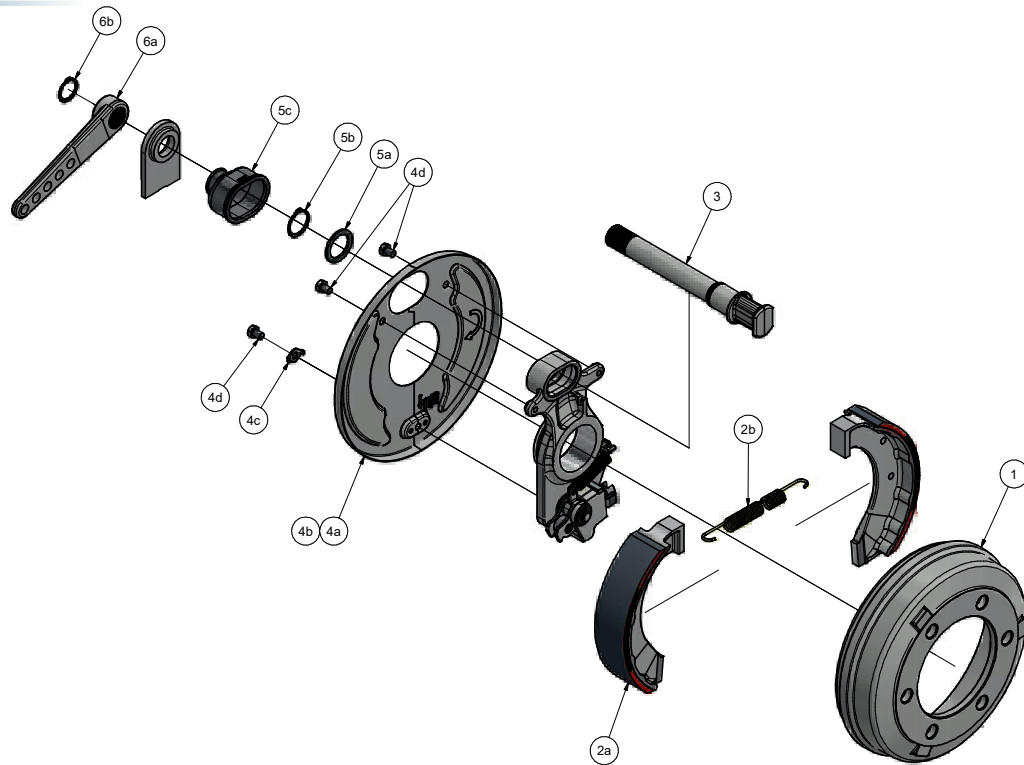


(1) From 100 to 400mm step 25mm. From 400 to 1200mm step 50mm.
 (2) Please contact our sales office for the measure of the square.

Brake	Item	Description	Code	A	B	C	Q.ty	Kit code
6Y	1	Drum 6 holes for M18	S66LFG0602	160	205	90	1	S66LFG0602
		Drum 6 holes for M20	S66LFG0603	160	205	90	1	S66LFG0603
		Drum 8 holes for M20	S66LFG0801	220	275	90	1	S66LFG0801
	2a	Brake shoe	S7326Y01	-	-	-	2	OSB06Y01
	2b	Spring	S86MFF08938	-	-	-	1	
	2c	Spring	S86MFF11050	-	-	-	1	
	2d	Cover for spring	S73CIY01	-	-	-	4	
	2e	Spring	S738T01	-	-	-	2	
	2f	Nut	S9710581	-	-	-	2	
	2g	Screw	S9650580601	-	-	-	2	
	3	Camshaft	S753032D...	33	{1}	-	1	S753032D...
	4a	Seeger Ø32	S58511	-	-	-	1	OSB06Y02
	4b	Rubber cover	S53AP01T	-	-	-	1	
	5a	Spacer	S833024T1	-	-	-	2	OSB06Y03
	5b	Washer Ø12	S9820121	-	-	-	2	
	5c	Nut M12x1.75	S97112C2	-	-	-	2	
	6a	Hydraulic cylinder	S81002	-	-	-	1	OSB06Y04
	6b	Washer Ø6	S9810061	-	-	-	2	
	6c	Screw M06x1,00	S9610610351	-	-	-	2	
	7a	Seal	S53903101	-	-	-	2	OSB06Y05
7b	O-ring	S53103102	-	-	-	2		
8a	Screw M08x1,25	S81E04	-	-	-	1	OSB06Y06	
8b	Washer Ø10	S81E07	-	-	-	1		
8c	Nipple M10x1,25	S81E06	-	-	-	1		
9	Brake assembly	{2}	S7316Y**	-	-	-	1	S7316Y**
10	Lever		S7619401	225	-	-	1	S7619401

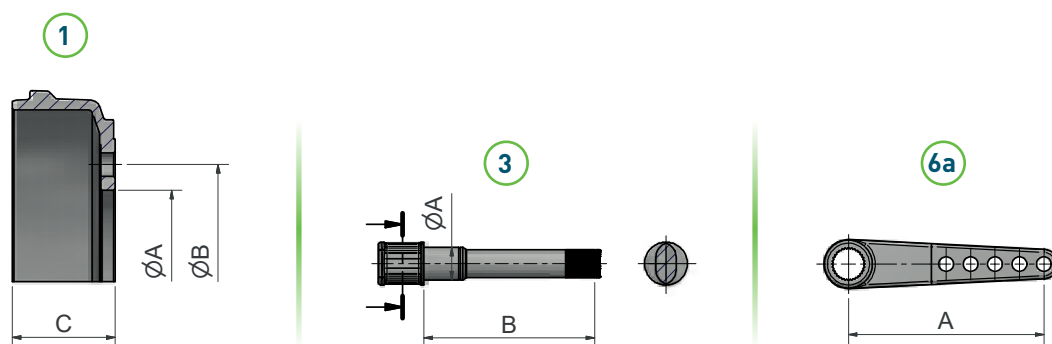


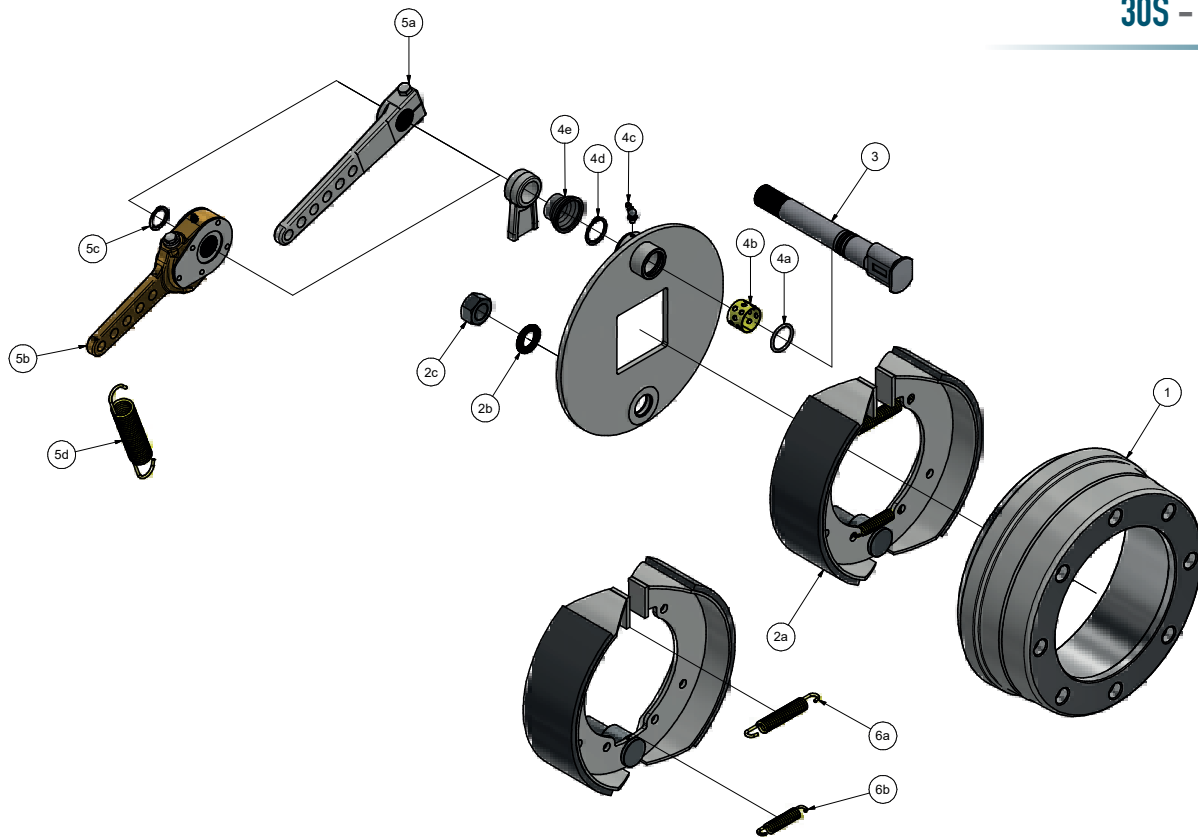
6R - 300x60 Inertia



[1] From 150 to 300mm step 25mm. From 300 to 1200mm step 50mm.

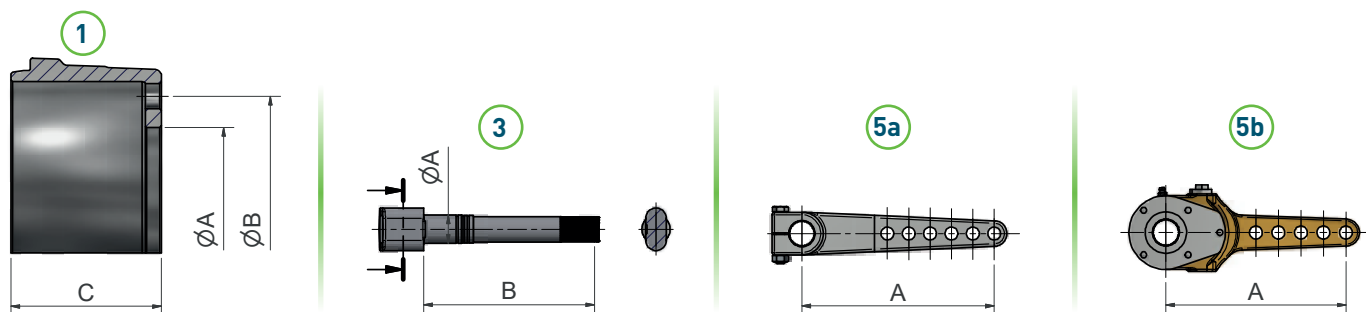
Brake	Item	Description	Code	A	B	C	Q.ty	Kit code
6R	1	Drum 6 holes for M18	S66LFG0602	160	205	90	1	S66LFG0602
		Drum 6 holes for M20	S66LFG0603	160	205	90	1	S66LFG0603
		Drum 8 holes for M20	S66LFG0801	220	275	90	1	S66LFG0801
	2a	Brake shoe	S732FS01	-	-	-	2	OSB06R01
	2b	Spring	S738112	-	-	-	1	
	3	Camshaft	S750355...	38	[1]	-	1	S750355...
	4a	Right protection plate	S743FSZZF2	-	-	-	1	OSB06RD2
	4c	Lock washer Ø10	S57B1001	-	-	-	1	
	4d	Screw M10x1,5	S96110B0141	-	-	-	3	
	4b	Left protection plate	S743FSZZG2	-	-	-	1	OSB06RS2
	4c	Lock washer Ø10	S57B1001	-	-	-	1	
	4d	Screw M10x1,5	S96110B0141	-	-	-	3	
	5a	Washer Ø52	S73G02	-	-	-	1	OSBC3501
	5b	Seeger Ø38	S58513	-	-	-	1	
	5c	Rubber cover	S53A12	-	-	-	1	
6a	Lever	S7611503	200	-	-	1	OSBF3501	
6b	Seeger Ø32	S58511	-	-	-	1		



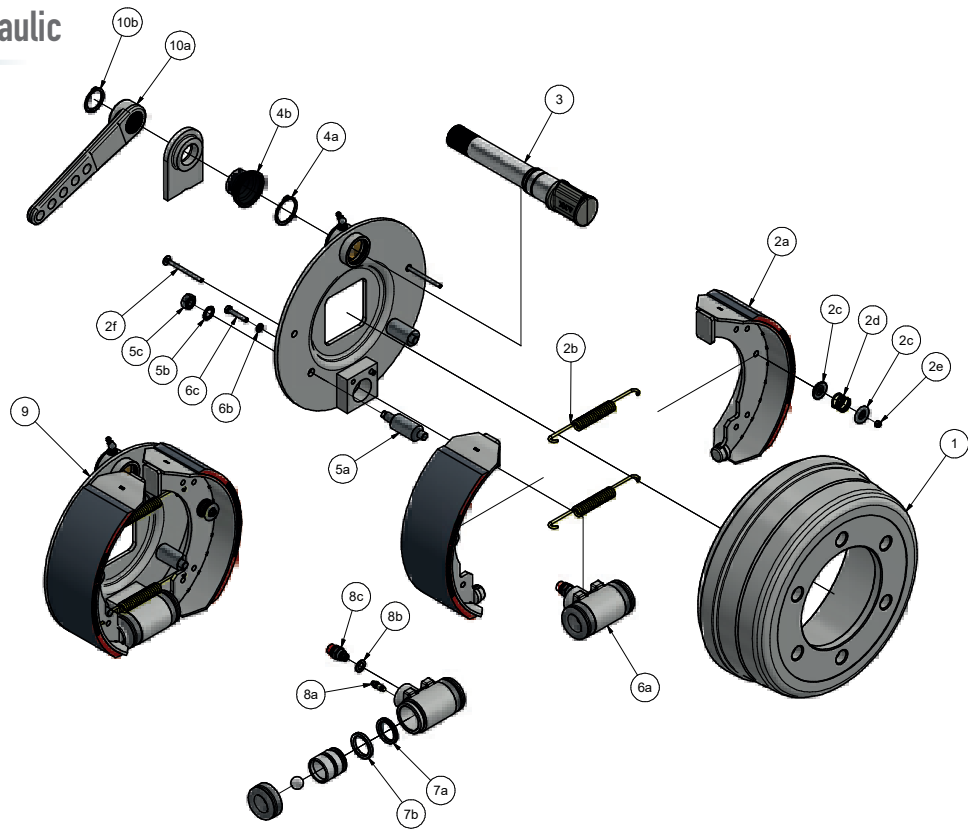


(1) From 150 to 300mm step 25mm. From 300 to 1200mm step 50mm.

Brake	Item	Description	Code	A	B	C	Q.ty	Kit code
30S	1	Drum 6 holes for M18	S66LJB0605	160	205	132	1	S66LJB0605
		Drum 8 holes for M20	S66LJB0804	220	275	132	1	S66LJB0804
	2a	Brake assembly B.1117	S9FCA300ZZ98	-	-	-	1	OSB0IA01
	2b	Twin washer M24	S9800241	-	-	-	1	
	2c	Nut M24X1,5	S97124B1	-	-	-	1	
	2a	Brake assembly RAD	S7311C02	-	-	-	1	OSB0IAA1
	2b	Twin washer M24	S9800241	-	-	-	1	
	2c	Nut M24X1,5	S97124B1	-	-	-	1	
	2a	Brake assembly FRASLE	S9FCA300ZZ98F	-	-	-	1	OSB0IAB1
	2b	Twin washer M24	S9800241	-	-	-	1	
	2c	Nut M24X1,5	S97124B1	-	-	-	1	
	3	Camshaft	S753032D...	33	{1}	-	1	S753032D...
	4a	O-ring	S53103301	-	-	-	1	OSBC3201
	4b	Camshaft bush	S771011	-	-	-	1	
	4c	Grease nipple 45° M06X1,00	S9860612	-	-	-	1	
	4d	Seeger Ø32	S58511	-	-	-	1	
4e	Rubber cover	S53AP01T	-	-	-	1		
5a	Lever	S7619401	225	-	-	1	S7619401	
5b	Slack adjuster	S7623203	200	-	-	1	OSBR3201	
5c	Seeger Ø28	S58509	-	-	-	1		
5d	Return spring	S738201	-	-	-	1		
6a	Spring	S738106	-	-	-	1	OSB0IA02	
6b	Spring	S738104	-	-	-	1		

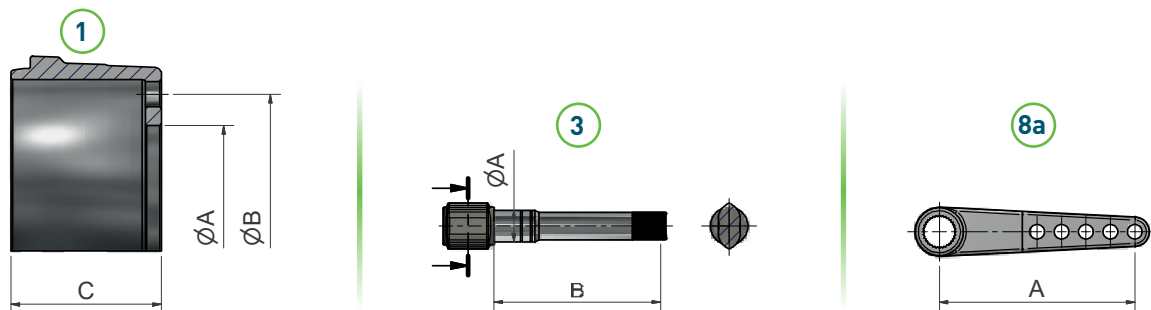


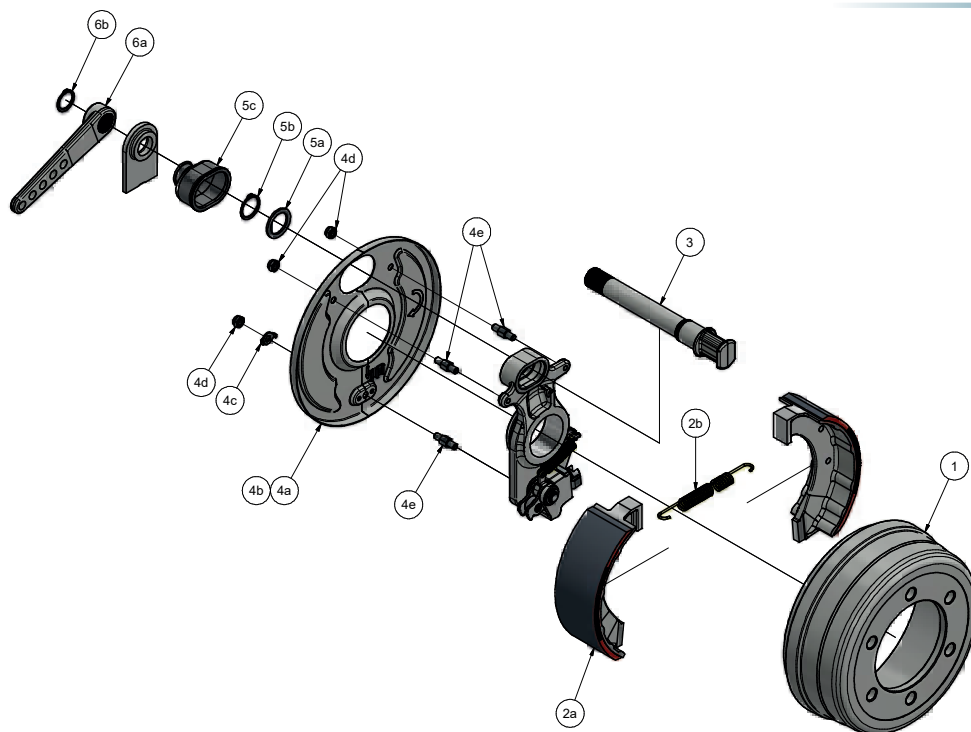
91 - 300x90 Hydraulic



(1) From 100 to 300mm step 25mm. From 300 to 1200mm step 50mm.
 (2) Please contact our sales office for the measure of the square.

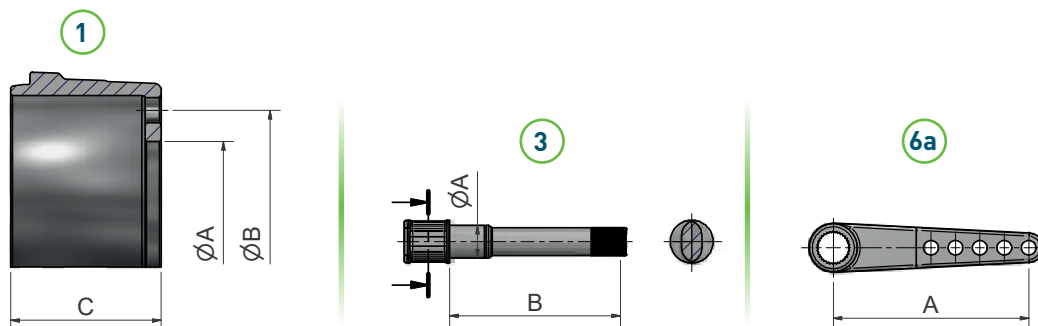
Brake	Item	Description	Code	A	B	C	Q.ty	Kit code
91	1	Drum 6 holes for M18	S66LJB0605	160	205	132	1	S66LJB0605
		Drum 8 holes for M20	S66LJB0804	220	275	132	1	S66LJB0804
	2a	Brake shoe	S732IY01	-	-	-	2	OSB09101
	2b	Spring	S738113	-	-	-	2	
	2c	Cover for spring	S73CIY01	-	-	-	4	
	2d	Spring	S738114	-	-	-	2	
	2e	Nut M05x0,80	S9710581	-	-	-	2	
	2f	Screw M05x0,80	S9650580701	-	-	-	2	
	3	Camshaft	S750355...	38	{1}	-	1	S750355...
	4a	Seeger Ø38	S58513	-	-	-	1	OSB09102
	4b	Rubber cover	S53A08	-	-	-	1	
	5a	Spacer	S83302401	-	-	-	2	OSB09103
	5b	Washer Ø12	S9820121	-	-	-	2	
	5c	Nut M12x1.75	S97112C2	-	-	-	2	
	6a	Hydraulic cylinder	S81002	-	-	-	1	OSB09104
	6b	Washer Ø6	S9810061	-	-	-	2	
	6c	Screw M06x1,00	S9610610351	-	-	-	2	
	7a	Seal	S53903101	-	-	-	2	OSB09105
	7b	O-ring	S53103102	-	-	-	2	
	8a	Screw M08x1,25	S81E04	-	-	-	1	OSB09106
8b	Washer Ø10	S81E07	-	-	-	1		
8c	Nipple M10x1,25	S81E06	-	-	-	1		
9	Brake assembly	{2}	S7311Y**	-	-	-	1	S7311Y**
10a	Lever		S7611503	200	-	-	1	OSBF3501
10b	Seeger Ø32		S58511	-	-	-	1	



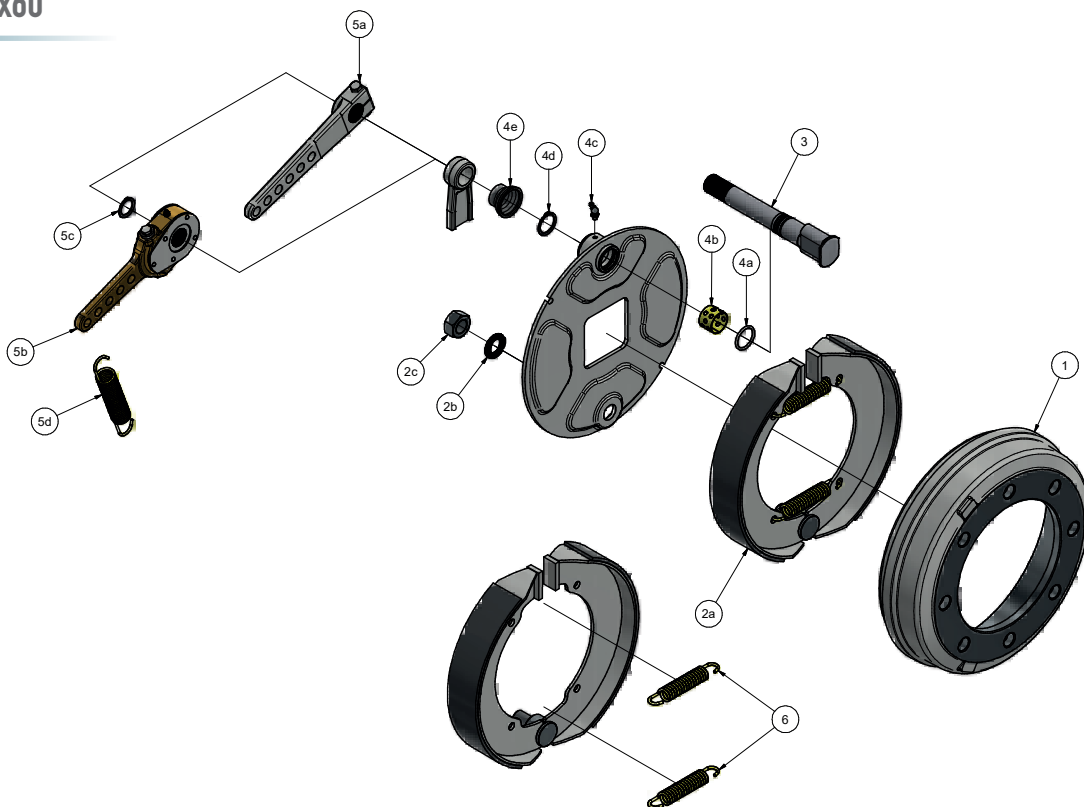


(1) From 100 to 300mm step 25mm. From 300 to 1200mm step 50mm.

Brake	Item	Description	Code	A	B	C	Q.ty	Kit code
9T	1	Drum 6 holes for M18	S66LJB0605	160	205	132	1	S66LJB0605
		Drum 8 holes for M20	S66LJB0804	220	275	132	1	S66LJB0804
	2a	Brake shoe	S732IM01	-	-	-	2	OSB09T01
	2b	Spring	S738112	-	-	-	1	
	3	Camshaft	S750355...	38	(1)	-	1	S750355...
	4a	Right protection plate	S743IRZZF2	-	-	-	1	OSB09TD2
	4c	Lock washer Ø10	S57B1001	-	-	-	1	
	4d	Self locking nut M10x1,5	S97510B1	-	-	-	3	
	4e	Spacer	S57710B13	-	-	-	3	
	4b	Left protection plate	S743IRZZG2	-	-	-	1	OSB09TS2
	4c	Lock washer Ø10	S57B1001	-	-	-	1	
	4d	Self locking nut M10x1,5	S97510B1	-	-	-	3	
	4e	Spacer	S57710B13	-	-	-	3	
	5a	Washer Ø52	S73G02	-	-	-	1	OSBC3501
	5b	Seeger Ø38	S58513	-	-	-	1	
	5c	Rubber cover	S53A12	-	-	-	1	
6a	Lever	S7611503	200	-	-	1	OSBF3501	
6b	Seeger Ø32	S58511	-	-	-	1		

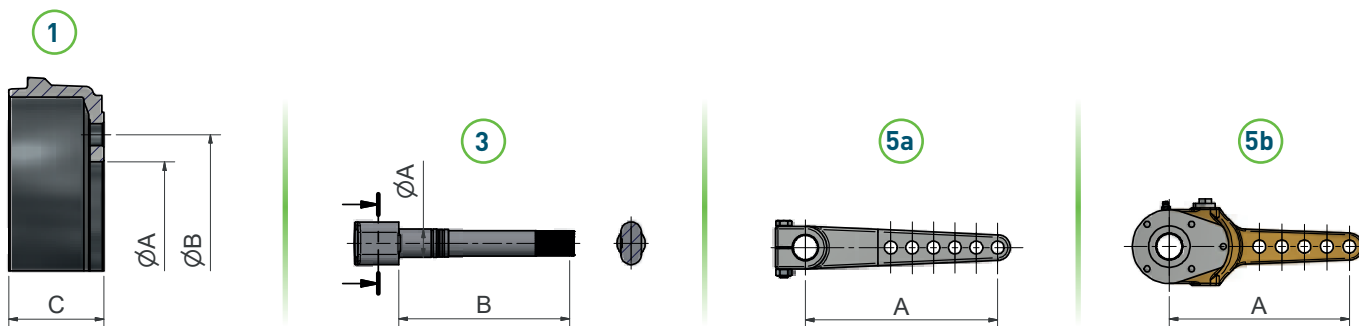


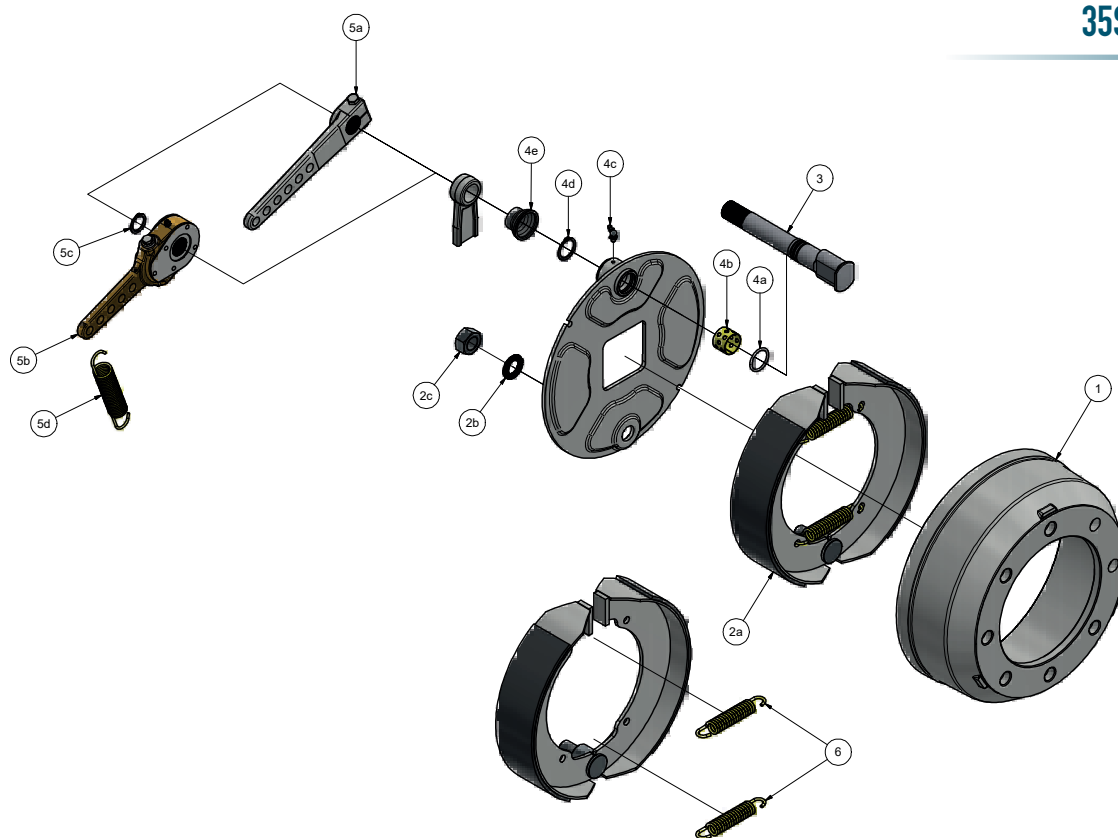
35G - 350x60



[1] From 100 to 400mm step 25mm. From 400 to 1200mm step 50mm.

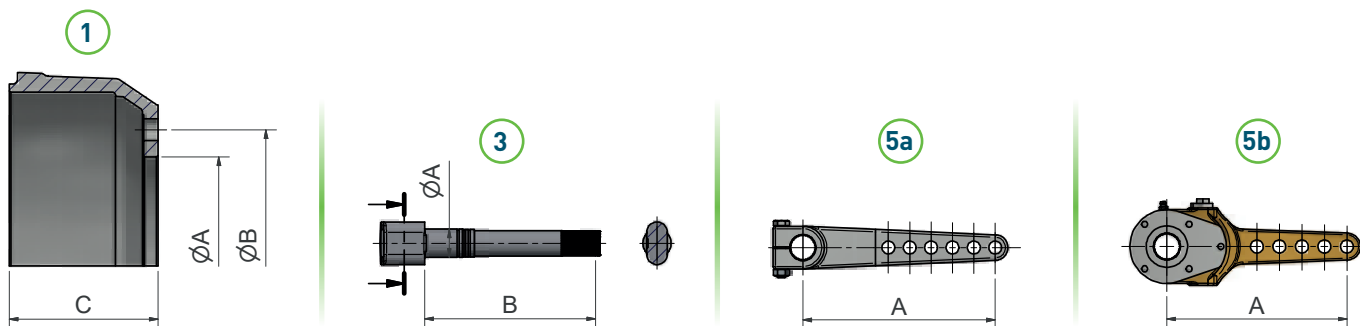
Brake	Item	Description	Code	A	B	C	Q.ty	Kit code
35G	1	Drum 6 holes for M18	S66LNF0603	160	205	96	1	S66LNF0603
		Drum 8 holes for M20	S66LNF0803	220	275	96	1	S66LNF0803
	2a	Brake assembly B.1117	S9FCA350Z0	-	-	-	1	OSB0NA01
	2b	Twin washer M24	S9800241	-	-	-	1	
	2c	Nut M24X1,5	S97124B1	-	-	-	1	
	2a	Brake assembly RAD	S731NF02	-	-	-	1	OSB0NAA1
	2b	Twin washer M24	S9800241	-	-	-	1	
	2c	Nut M24X1,5	S97124B1	-	-	-	1	
	3	Camshaft	S753032D...	33	[1]	-	1	S753032D...
	4a	O-ring	S53103301	-	-	-	1	OSBC3201
	4b	Camshaft bush	S771011	-	-	-	1	
	4c	Grease nipple 45° M06X1,00	S9860612	-	-	-	1	
	4d	Seeger Ø32	S58511	-	-	-	1	
	4e	Rubber cover	S53AP01T	-	-	-	1	
	5a	Lever	S7619401	225	-	-	1	S7619401
	5b	Slack adjuster	S7623203	200	-	-	1	OSBR3201
	5c	Seeger Ø28	S58509	-	-	-	1	
5d	Return spring	S738201	-	-	-	1		
6	Spring	S738110	-	-	-	2	OSB0NA02	



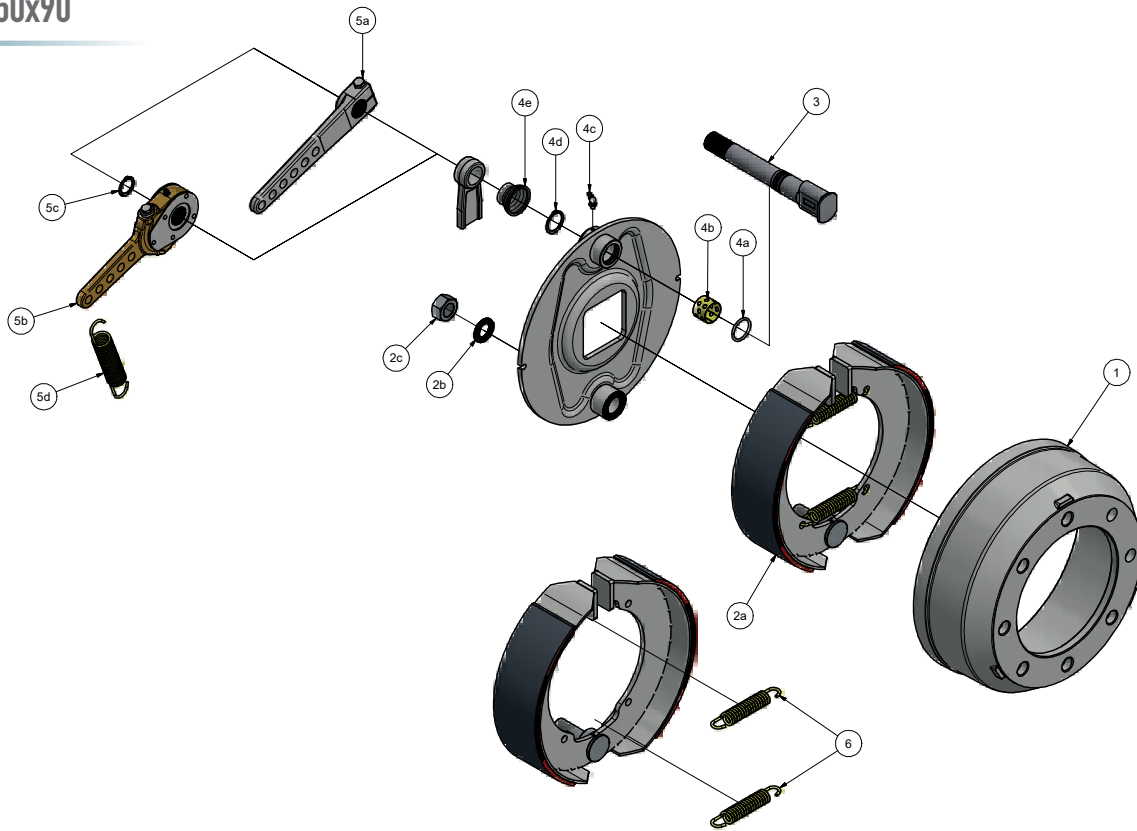


(1) From 100 to 400mm step 25mm. From 400 to 1200mm step 50mm.

Brake	Item	Description	Code	A	B	C	Q.ty	Kit code
35S	1	Drum 6 holes for M18	S66LQC0602	160	205	152	1	S66LQC0602
		Drum 8 holes for M20	S66LQC0802	220	275	150	1	S66LQC0802
	2a	Brake assembly B.1117	S9FCA350Z8	-	-	-	1	OSB0QA01
	2b	Twin washer M24	S9800241	-	-	-	1	
	2c	Nut M24X1,5	S97124B1	-	-	-	1	
	2a	Brake assembly B.1517	S9FCA350Z8V	-	-	-	1	OSB0QAA1
	2b	Twin washer M24	S9800241	-	-	-	1	
	2c	Nut M24X1,5	S97124B1	-	-	-	1	
	3	Camshaft	S753032D...	33	{1}	-	1	S753032D...
	4a	O-ring	S53103301	-	-	-	1	OSBC3201
	4b	Camshaft bush	S771011	-	-	-	1	
	4c	Grease nipple 45° M06X1,00	S9860612	-	-	-	1	
	4d	Seeger Ø32	S58511	-	-	-	1	
	4e	Rubber cover	S53AP01T	-	-	-	1	
	5a	Lever	S7619401	225	-	-	1	S7619401
	5b	Slack adjuster	S7623203	200	-	-	1	OSBR3201
	5c	Seeger Ø28	S58509	-	-	-	1	
	5d	Return spring	S738201	-	-	-	1	
6	Spring	S738110	-	-	-	2	OSB0NA02	

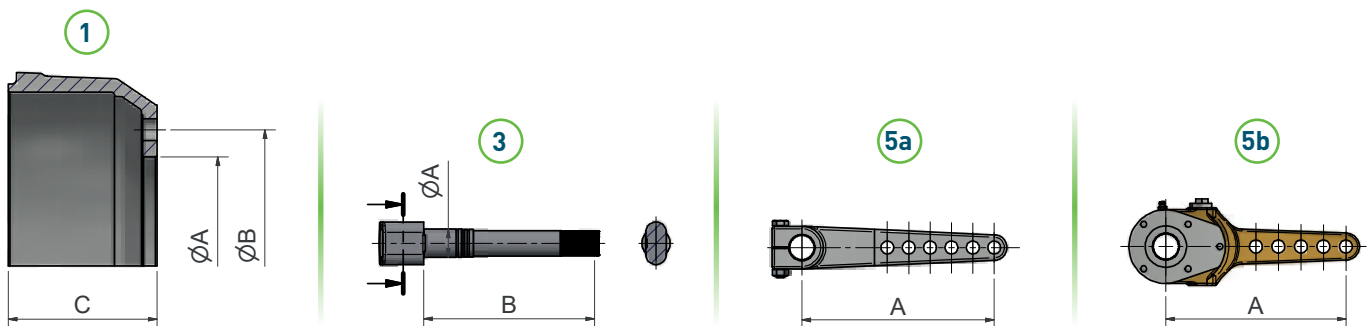


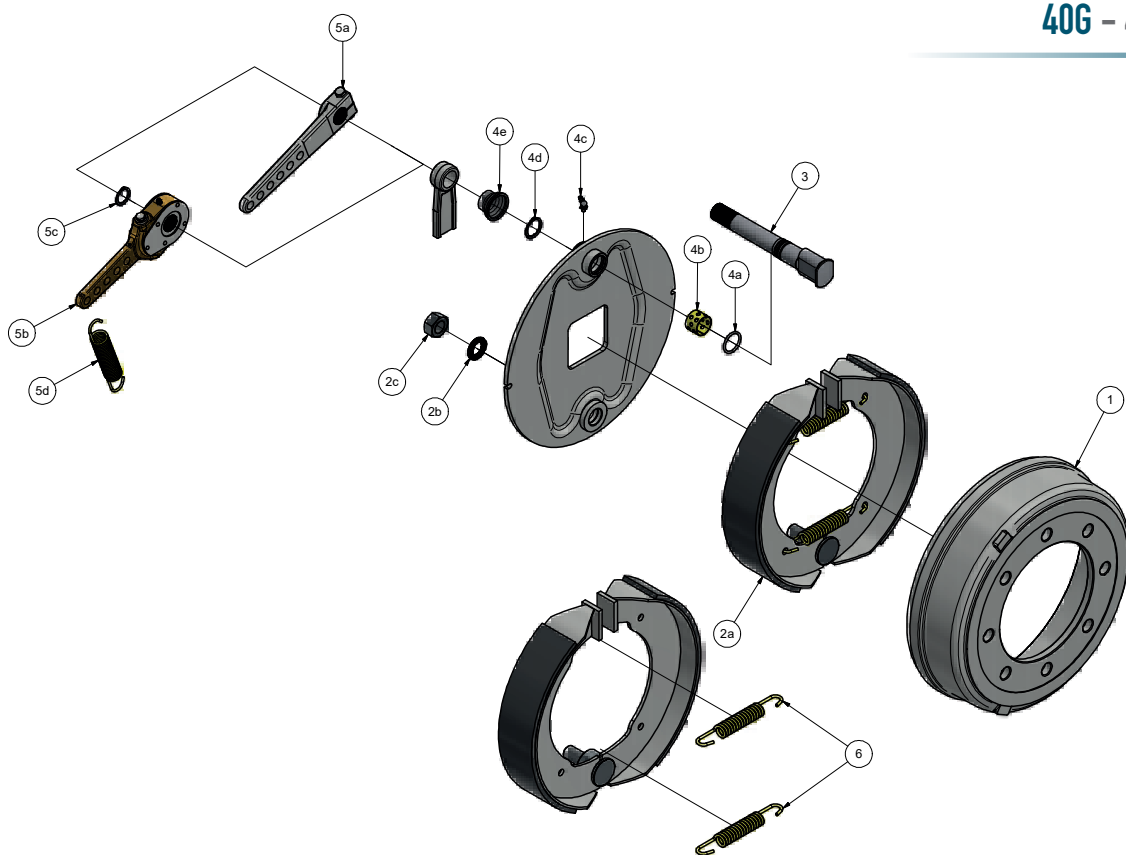
35Q - 350x90



(1) From 100 to 400mm step 25mm. From 400 to 1200mm step 50mm.

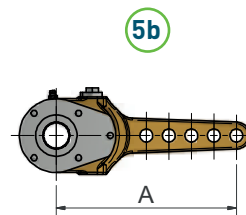
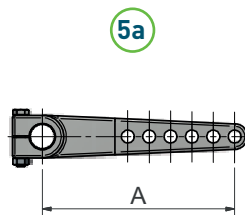
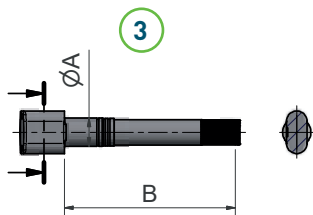
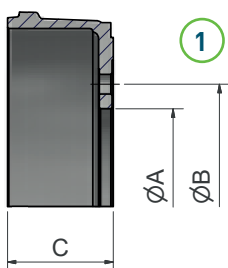
Brake	Item	Description	Code	A	B	C	Q.ty	Kit code
35Q	1	Drum 6 holes for M18	S66LQC0602	160	205	152	1	S66LQC0602
		Drum 8 holes for M20	S66LQC0802	220	275	150	1	S66LQC0802
	2a	Brake assembly B.1517	S9FCA350Z9V	-	-	-	1	OSB0QC01
	2b	Twin washer M24	S9800241	-	-	-	1	
	2c	Nut M24X1,5	S97124B1	-	-	-	1	
	3	Camshaft	S753032D...	33	[1]	-	1	S753032D...
	4a	O-ring	S53103301	-	-	-	1	OSBC3201
	4b	Camshaft bush	S771011	-	-	-	1	
	4c	Grease nipple 45° M06X1,00	S9860612	-	-	-	1	
	4d	Seeger Ø32	S58511	-	-	-	1	
	4e	Rubber cover	S53AP01T	-	-	-	1	
	5a	Lever	S7619401	225	-	-	1	S7619401
	5b	Slack adjuster	S7623203	200	-	-	1	OSBR3201
	5c	Seeger Ø28	S58509	-	-	-	1	
	5d	Return spring	S738201	-	-	-	1	
6	Spring	S738110	-	-	-	2	OSB0NA02	



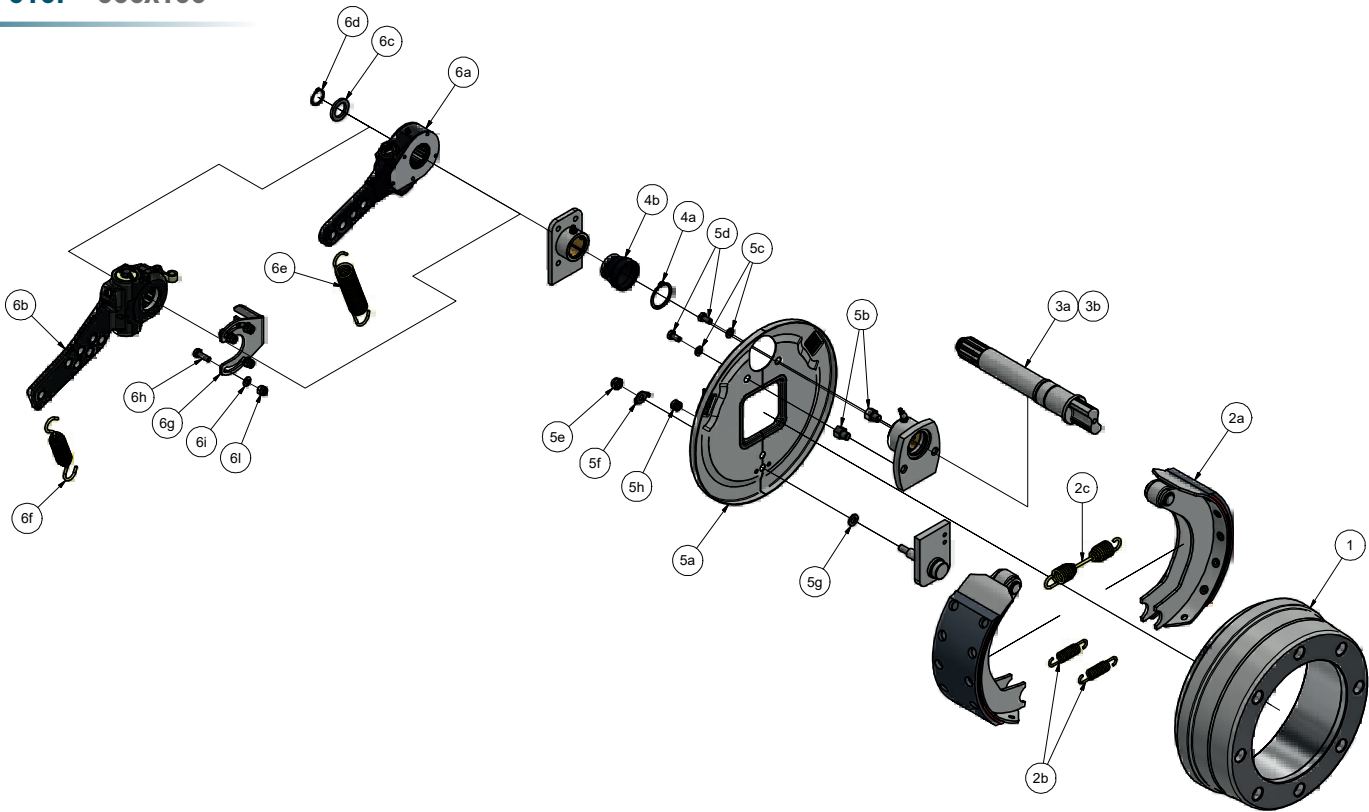


[1] From 100 to 400mm step 25mm. From 400 to 1200mm step 50mm.

Brake	Item	Description	Code	A	B	C	Q.ty	Kit code
40G	1	Drum 8 holes for M20	S66LTG0801	220	275	120	1	S66LTG0801
		Drum 10 holes for M22	S66LTG1001	280	335	118	1	S66LTG1001
	2a	Brake assembly B.1117	S9FCA400Z0	-	-	-	1	OSB0TG01
	2b	Twin washer M24	S9800241	-	-	-	1	
	2c	Nut M24X1,5	S97124B1	-	-	-	1	
	2a	Brake assembly RAD	S731TC02	-	-	-	1	OSB0TGA1
	2b	Twin washer M24	S9800241	-	-	-	1	
	2c	Nut M24X1,5	S97124B1	-	-	-	1	
	2a	Brake assembly FRASLE	S9FCA400ZF	-	-	-	1	OSB0TGB1
	2b	Twin washer M24	S9800241	-	-	-	1	
	2c	Nut M24X1,5	S97124B1	-	-	-	1	
	3	Camshaft	S753032D...	33	[1]	-	1	S753032D...
	4a	O-ring	S53103301	-	-	-	1	OSBC3201
	4b	Camshaft bush	S771011	-	-	-	1	
	4c	Grease nipple 45° M06X1,00	S9860612	-	-	-	1	
	4d	Seeger Ø32	S58511	-	-	-	1	
	4e	Rubber cover	S53AP01T	-	-	-	1	
	5a	Lever	S7619401	225	-	-	1	S7619401
	5b	Slack adjuster	S7623203	200	-	-	1	OSBR3201
	5c	Seeger Ø28	S58509	-	-	-	1	
5d	Return spring	S738201	-	-	-	1		
6	Spring	S738117	-	-	-	2	OSB0TG02	

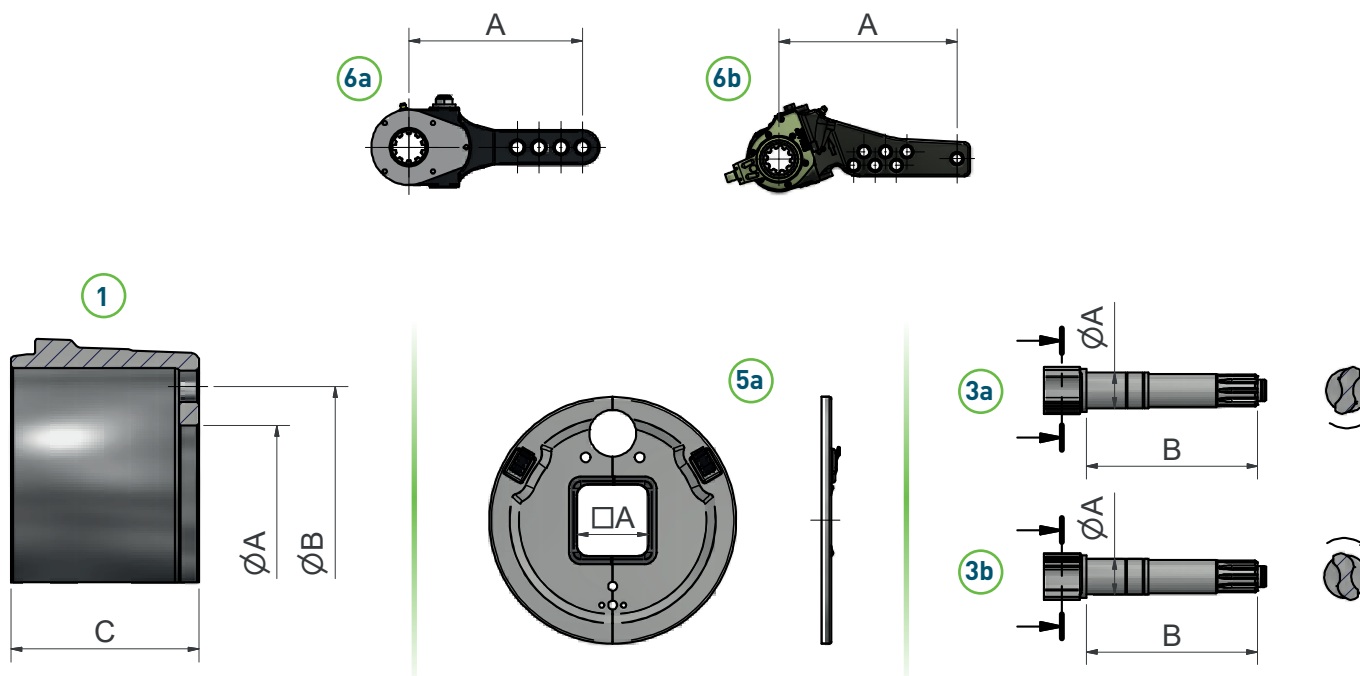


310I - 300x100



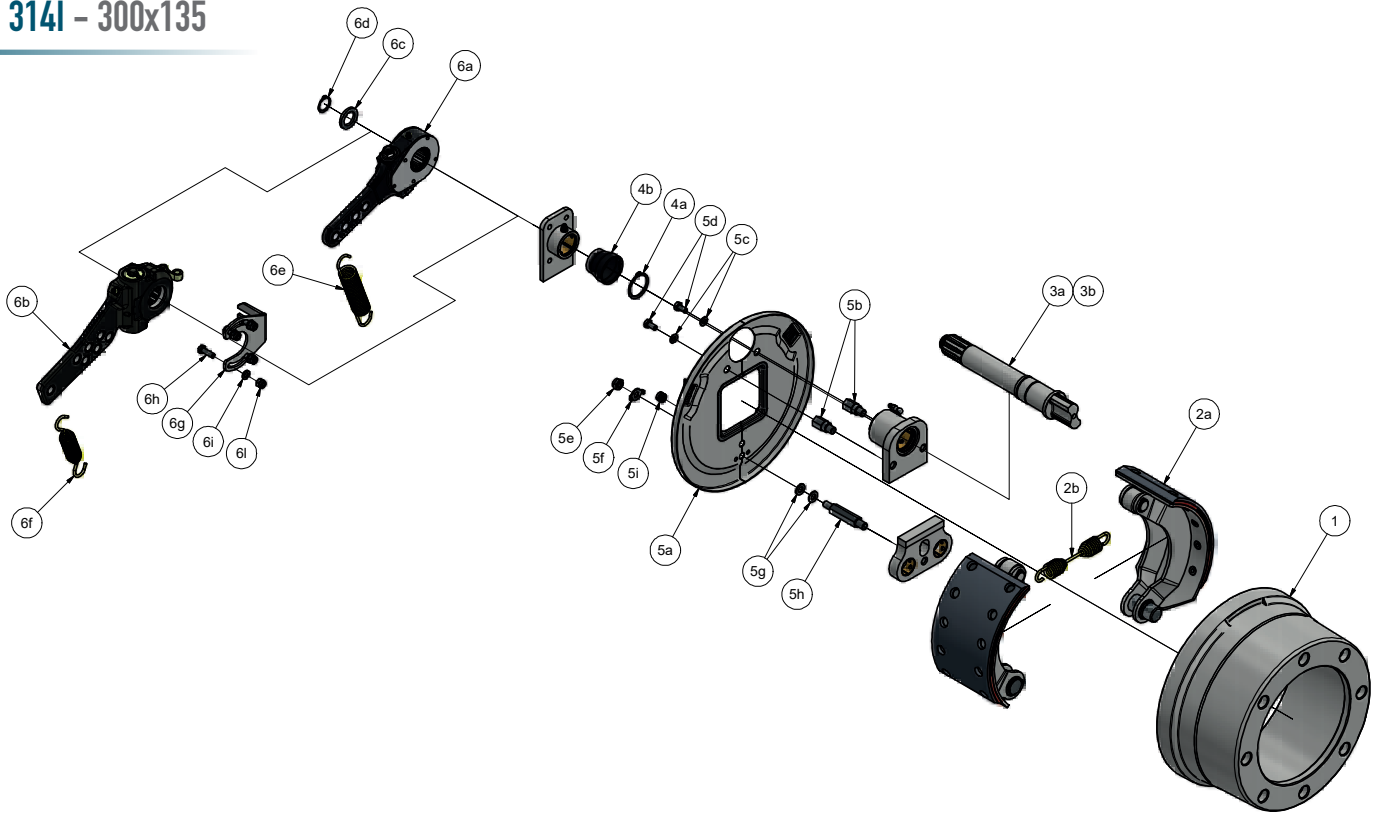
(1) From 150 to 300mm step 25mm. From 300 to 1000mm step 50mm.

Brake	Item	Description	Code	A	B	C	Q.ty	Kit code
310I	1	Drum 6 holes for M18	S66LJB0605	160	205	132	1	S66LJB0605
		Drum 8 holes for M20	S66LJB0804	220	275	132	1	S66LJB0804
	2a	Brake shoe complete	S732JF01	-	-	-	2	OSB0JF01
	2b	Spring	S738115	-	-	-	2	
	2c	Spring	S738116	-	-	-	1	OSB0JF03
	2b	Spring	S738115	-	-	-	2	
	2c	Spring	S738116	-	-	-	1	
	3a	Right camshaft	S75C406...	42	(1)	-	1	S75C406...
	3b	Left camshaft	S75D406...	42	(1)	-	1	S75D406...
	4a	Seeger Ø42	S58514	-	-	-	1	OSBC4001
	4b	Rubber cover	S53A03	-	-	-	1	
	5a	Protection plate □70	S743JB7012	70	-	-	1	OSB0JF02
	5b	Upper spacer	S57712C14	-	-	-	2	
	5c	Washer M08	S9810081	-	-	-	2	
	5d	Screw M08x1,25	S96108A0161	-	-	-	2	
	5e	Self locking nut M10x1,5	S97510B1	-	-	-	1	
	5f	Lock washer Ø10	S57B1001	-	-	-	1	
	5g	Washer M10	S9811001	-	-	-	1	
	5h	Rubber fairlead	S73A01	-	-	-	1	
	5a	Protection plate □80	S743JB8012	80	-	-	1	OSB0JFA2
	5b	Upper spacer	S57712C14	-	-	-	2	
	5c	Washer M08	S9810081	-	-	-	2	
	5d	Screw M08x1,25	S96108A0161	-	-	-	2	
	5e	Self locking nut M10x1,5	S97510B1	-	-	-	1	
	5f	Lock washer Ø10	S57B1001	-	-	-	1	
	5g	Washer M10	S9811001	-	-	-	1	
	5h	Rubber fairlead	S73A01	-	-	-	1	
	5a	Protection plate □90	S743JB9012	90	-	-	1	OSB0JFB2
	5b	Upper spacer	S57712C14	-	-	-	2	
	5c	Washer M08	S9810081	-	-	-	2	
	5d	Screw M08x1,25	S96108A0161	-	-	-	2	
5e	Self locking nut M10x1,5	S97510B1	-	-	-	1		
5f	Lock washer Ø10	S57B1001	-	-	-	1		
5g	Washer M10	S9811001	-	-	-	1		
5h	Rubber fairlead	S73A01	-	-	-	1		



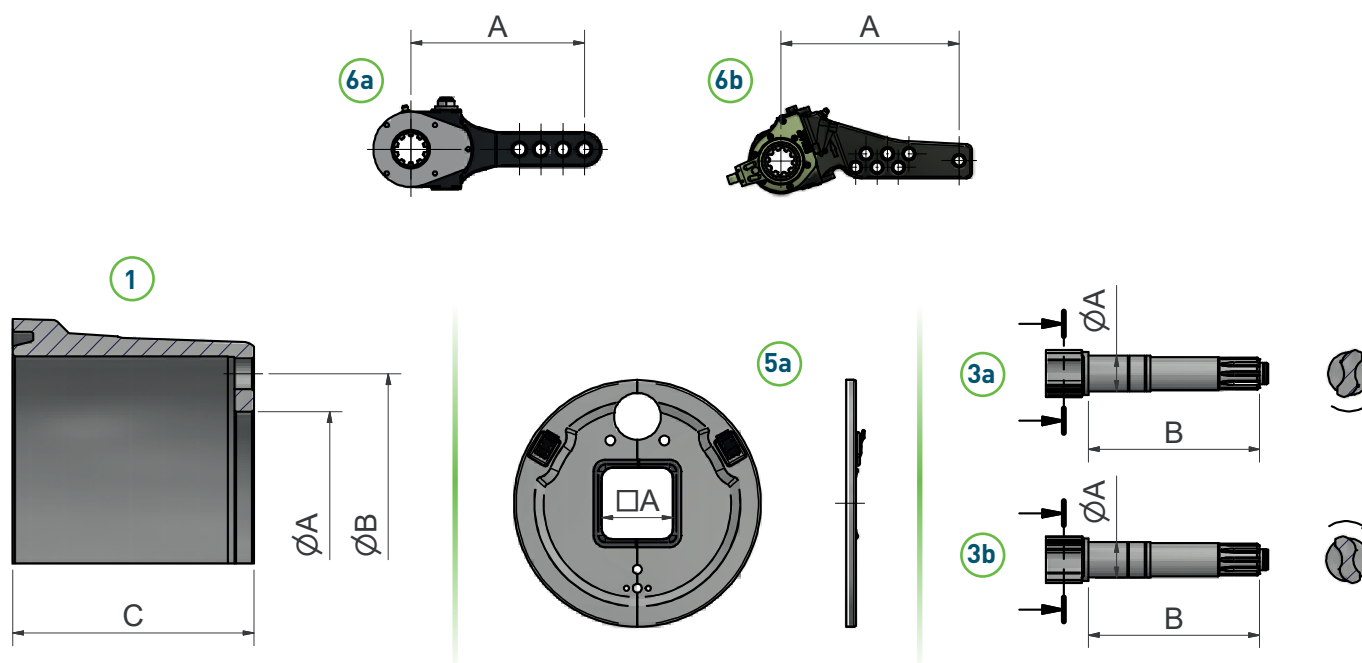
Brake	Item	Description	Code	A	B	C	Q.ty	Kit code
310I	5a	Protection plate □100	S743JBA012	100	-	-	1	OSB0JFC2
	5b	Upper spacer	S57712C14	-	-	-	2	
	5c	Washer M08	S9810081	-	-	-	2	
	5d	Screw M08x1,25	S96108A0161	-	-	-	2	
	5e	Self locking nut M10x1,5	S97510B1	-	-	-	1	
	5f	Lock washer Ø10	S57B1001	-	-	-	1	
	5g	Washer M10	S9811001	-	-	-	1	
	5h	Rubber fairlead	S73A01	-	-	-	1	
	5a	Protection plate □110	S743JBA112	110	-	-	1	OSB0JFD2
	5b	Upper spacer	S57712C14	-	-	-	2	
	5c	Washer M08	S9810081	-	-	-	2	
	5d	Screw M08x1,25	S96108A0161	-	-	-	2	
	5e	Self locking nut M10x1,5	S97510B1	-	-	-	1	
	5f	Lock washer Ø10	S57B1001	-	-	-	1	
	5g	Washer M10	S9811001	-	-	-	1	
	5h	Rubber fairlead	S73A01	-	-	-	1	
	5a	Protection plate □120	S743JBA212	120	-	-	1	OSB0JFE2
	5b	Upper spacer	S57712C14	-	-	-	2	
	5c	Washer M08	S9810081	-	-	-	2	
	5d	Screw M08x1,25	S96108A0161	-	-	-	2	
	5e	Self locking nut M10x1,5	S97510B1	-	-	-	1	
	5f	Lock washer Ø10	S57B1001	-	-	-	1	
	5g	Washer M10	S9811001	-	-	-	1	
	5h	Rubber fairlead	S73A01	-	-	-	1	
6a	Slack adjuster	S7621603	203	-	-	1	OSBR4001	
6c	Washer Ø26	S9812601	-	-	-	1		
6d	Seeger Ø25	S58508	-	-	-	1		
6e	Return spring Ø3,5 L173	S738201	-	-	-	1		
6b	Automatic slack adjuster	S7631606	180	-	-	1	OSBA4001	
6c	Washer Ø26	S9812601	-	-	-	1		
6d	Seeger Ø25	S58508	-	-	-	1		
6f	Return spring Ø2,8 L145	S738203	-	-	-	1		
6g	Setting plate	S76AM1	-	-	-	1		
6h	Screw M08x1,25	S96108A0251	-	-	-	4		
6i	Washer M08	S9810081	-	-	-	4		
6l	Nut M08x1,25	S97408A1	-	-	-	4		

314I - 300x135



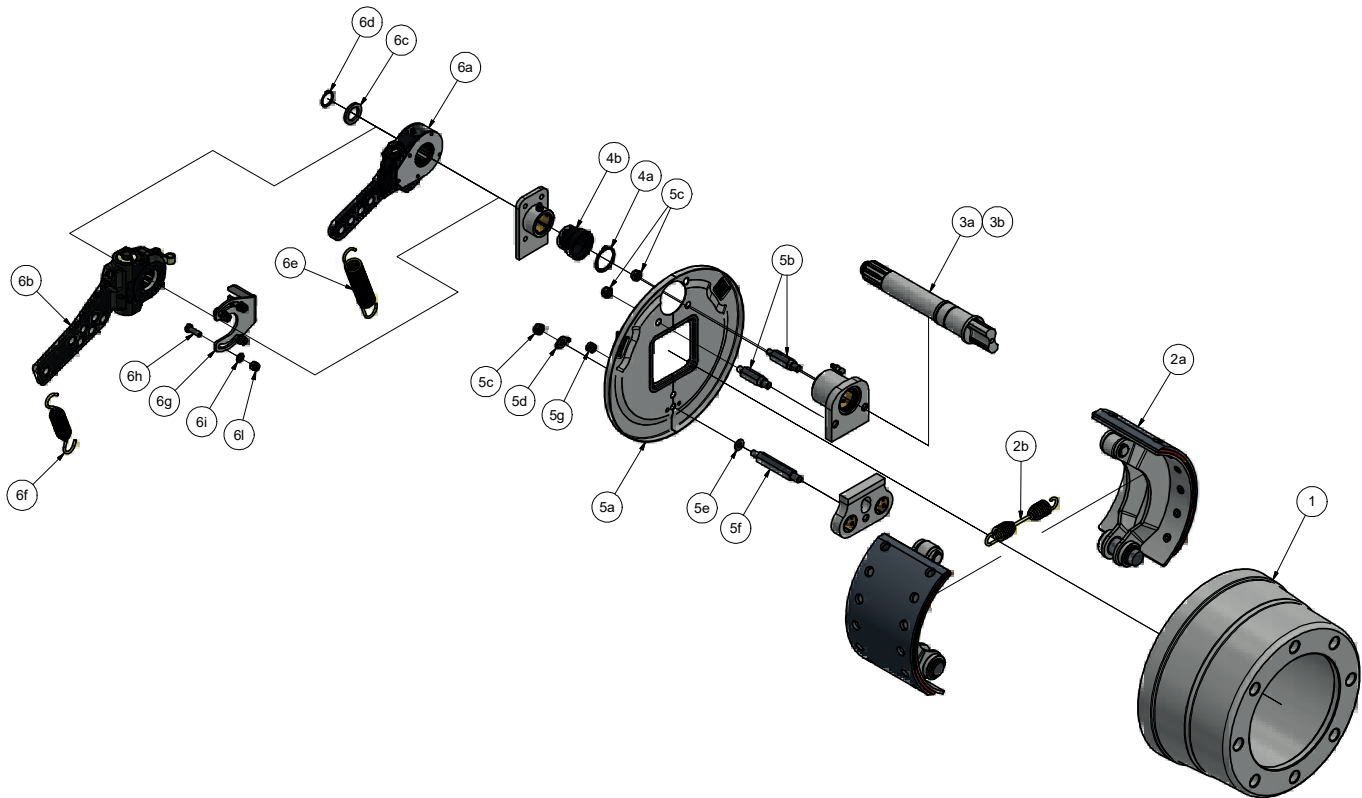
(1) From 150 to 300mm step 25mm. From 300 to 1000mm step 50mm.

Brake	Item	Description	Code	A	B	C	Q.ty	Kit code
314I	1	Drum 6 holes for M18	S66LKB0601	160	205	175	1	S66LKB0601
		Drum 8 holes for M20	S66LKB0802	220	275	175	1	S66LKB0802
		Drum 10 holes for M22	S66LKB1R01	185	225	176	1	S66LKB1R01
	2a	Brake shoe complete	S732KF01	-	-	-	2	OSB0KF01
	2b	Spring	S738116	-	-	-	1	
	2b	Spring	S738116	-	-	-	1	S738116
	3a	Right camshaft	S75C406...	42	{1}	-	1	S75C406...
	3b	Left camshaft	S75D406...	42	{1}	-	1	S75D406...
	4a	Seeger Ø42	S58514	-	-	-	1	OSBC4001
	4b	Rubber cover	S53A03	-	-	-	1	
	5a	Protection plate □70	S743JB7012	70	-	-	1	OSB0KF02
	5b	Upper spacer	S57712C14	-	-	-	2	
	5c	Washer M08	S9810081	-	-	-	2	
	5d	Screw M08x1,25	S96108A0161	-	-	-	2	
	5e	Self locking nut M10x1,5	S97510B1	-	-	-	1	
	5f	Lock washer Ø10	S57B1001	-	-	-	1	
	5g	Washer M10	S9811001	-	-	-	2	
	5h	Lower spacer	S57712C8	-	-	-	1	OSB0KFA2
	5i	Rubber fairlead	S73A01	-	-	-	1	
	5a	Protection plate □80	S743JB8012	80	-	-	1	
	5b	Upper spacer	S57712C14	-	-	-	2	
	5c	Washer M08	S9810081	-	-	-	2	
	5d	Screw M08x1,25	S96108A0161	-	-	-	2	OSB0KFB2
	5e	Self locking nut M10x1,5	S97510B1	-	-	-	1	
	5f	Lock washer Ø10	S57B1001	-	-	-	1	
	5g	Washer M10	S9811001	-	-	-	2	
	5h	Lower spacer	S57712C8	-	-	-	1	
	5i	Rubber fairlead	S73A01	-	-	-	1	
	5a	Protection plate □90	S743JB9012	90	-	-	1	
	5b	Upper spacer	S57712C14	-	-	-	2	
	5c	Washer M08	S9810081	-	-	-	2	
5d	Screw M08x1,25	S96108A0161	-	-	-	2		
5e	Self locking nut M10x1,5	S97510B1	-	-	-	1		
5f	Lock washer Ø10	S57B1001	-	-	-	1		
5g	Washer M10	S9811001	-	-	-	2		
5h	Lower spacer	S57712C8	-	-	-	1		
5i	Rubber fairlead	S73A01	-	-	-	1		



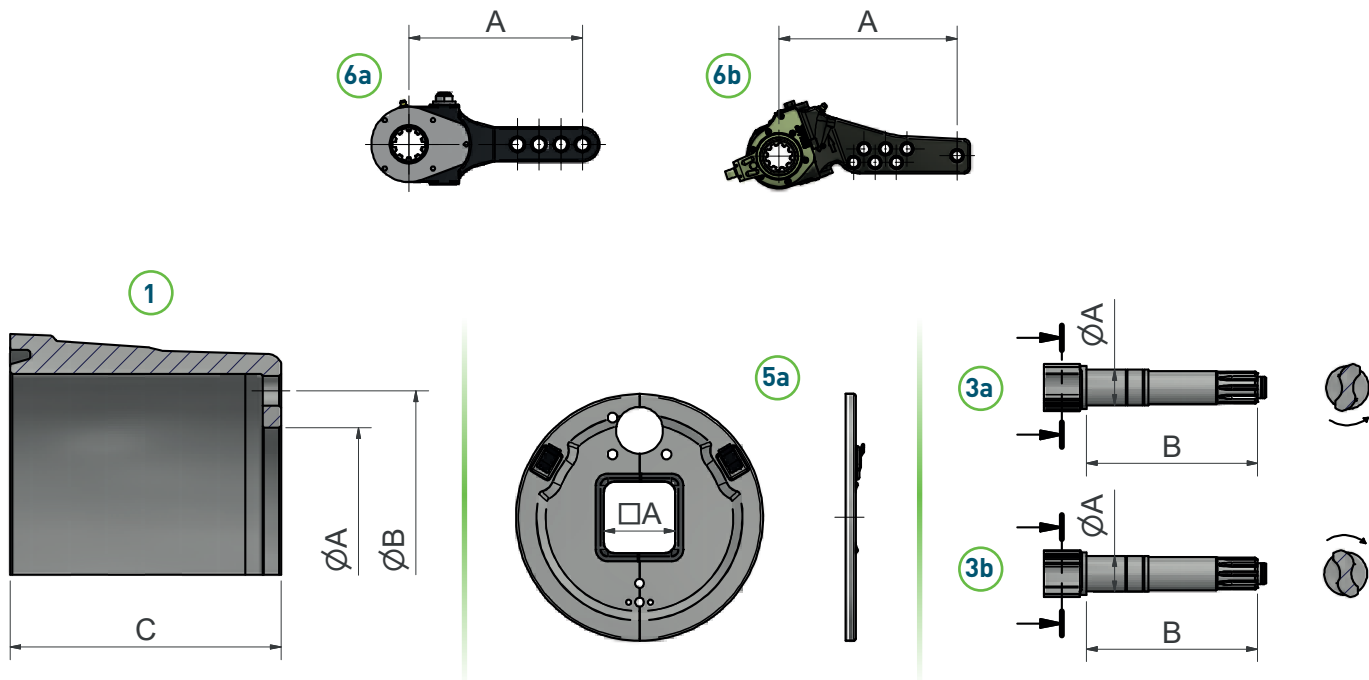
Brake	Item	Description	Code	A	B	C	Q.ty	Kit code	
314I	5a	Protection plate 100	S743JBA012	100	-	-	1	OSB0KFC2	
	5b	Upper spacer	S57712C14	-	-	-	2		
	5c	Washer M08	S9810081	-	-	-	2		
	5d	Screw M08x1,25	S96108A0161	-	-	-	2		
	5e	Self locking nut M10x1,5	S97510B1	-	-	-	1		
	5f	Lock washer Ø10	S57B1001	-	-	-	1		
	5g	Washer M10	S9811001	-	-	-	2		
	5h	Lower spacer	S57712C8	-	-	-	1		
	5i	Rubber fairlead	S73A01	-	-	-	1		
	5a	Protection plate □110	S743JBA112	110	-	-	1		OSB0KFD2
	5b	Upper spacer	S57712C14	-	-	-	2		
	5c	Washer M08	S9810081	-	-	-	2		
	5d	Screw M08x1,25	S96108A0161	-	-	-	2		
	5e	Self locking nut M10x1,5	S97510B1	-	-	-	1		
	5f	Lock washer Ø10	S57B1001	-	-	-	1		
	5g	Washer M10	S9811001	-	-	-	2	OSB0KFE2	
	5h	Lower spacer	S57712C8	-	-	-	1		
	5i	Rubber fairlead	S73A01	-	-	-	1		
	6a	Slack adjuster	S7621603	203	-	-	1		OSBR4001
	6c	Washer Ø26	S9812601	-	-	-	1		
	6d	Seeger Ø25	S58508	-	-	-	1		
	6e	Return spring Ø3,5 L173	S738201	-	-	-	1		
	6b	Automatic slack adjuster	S7631606	180	-	-	1	OSBA4001	
	6c	Washer Ø26	S9812601	-	-	-	1		
	6d	Seeger Ø25	S58508	-	-	-	1		
	6f	Return spring Ø2,8 L145	S738203	-	-	-	1		
	6g	Setting plate	S76AM1	-	-	-	1		
	6h	Screw M08x1,25	S96108A0251	-	-	-	4		
6i	Washer M08	S9810081	-	-	-	4			
6l	Nut M08x1,25	S97408A1	-	-	-	4			

316I - 300x160



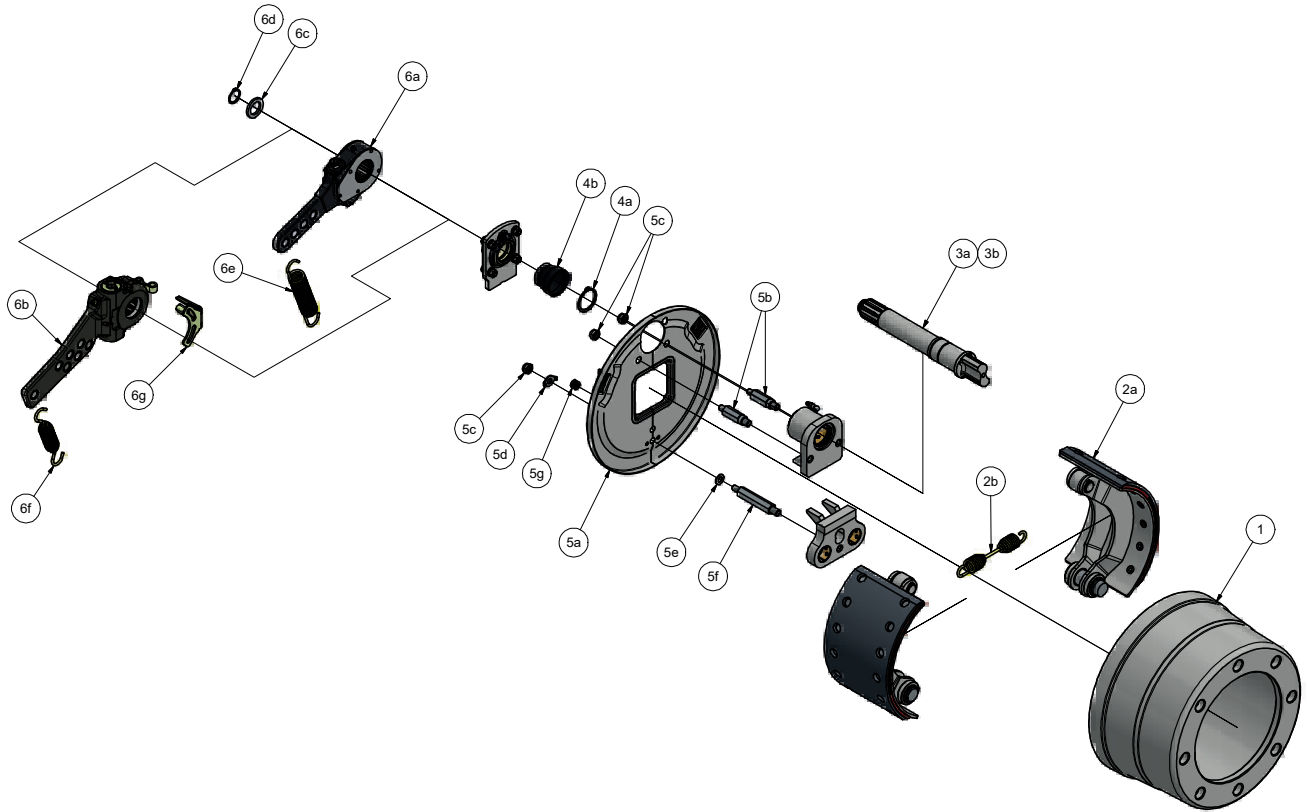
(1) From 150 to 300mm step 25mm. From 300 to 1000mm step 50mm.

Brake	Item	Description	Code	A	B	C	Q.ty	Kit code
316I	1	Drum 8 holes for M20	S66LPA0801	220	275	203	1	S66LPA0801
		Drum 10 holes for M22	S66LPA1R01	185	225	203	1	S66LPA1R01
	2a	Brake shoe complete	S732PE01	-	-	-	2	OSB0PG01
	2b	Spring	S738116	-	-	-	1	S738116
	2b	Spring	S738116	-	-	-	1	S738116
	3a	Right camshaft	S75C406...	42	{1}	-	1	S75C406...
	3b	Left camshaft	S75D406...	42	{1}	-	1	S75D406...
	4a	Seeger Ø42	S58514	-	-	-	1	OSBC4001
	4b	Rubber cover	S53A03	-	-	-	1	OSBC4001
	5a	Protection plate □80	S743PA8011	80	-	-	1	OSB0PG02
	5b	Upper spacer	S57712C7	-	-	-	2	
	5c	Self locking nut M10x1,5	S97510B1	-	-	-	3	
	5d	Lock washer Ø10	S57B1001	-	-	-	1	
	5e	Washer M10	S9811001	-	-	-	1	
	5f	Lower spacer	S57712C6	-	-	-	1	OSB0PGA2
	5g	Rubber fairlead	S73A01	-	-	-	1	
	5a	Protection plate □90	S743PA9011	90	-	-	1	
	5b	Upper spacer	S57712C7	-	-	-	2	
	5c	Self locking nut M10x1,5	S97510B1	-	-	-	3	
	5d	Lock washer Ø10	S57B1001	-	-	-	1	OSB0PGB2
	5e	Washer M10	S9811001	-	-	-	1	
	5f	Lower spacer	S57712C6	-	-	-	1	
	5g	Rubber fairlead	S73A01	-	-	-	1	
	5a	Protection plate □100	S743PAA011	100	-	-	1	
	5b	Upper spacer	S57712C7	-	-	-	2	
	5c	Self locking nut M10x1,5	S97510B1	-	-	-	3	
	5d	Lock washer Ø10	S57B1001	-	-	-	1	
	5e	Washer M10	S9811001	-	-	-	1	
5f	Lower spacer	S57712C6	-	-	-	1	OSB0PGB2	
5g	Rubber fairlead	S73A01	-	-	-	1		



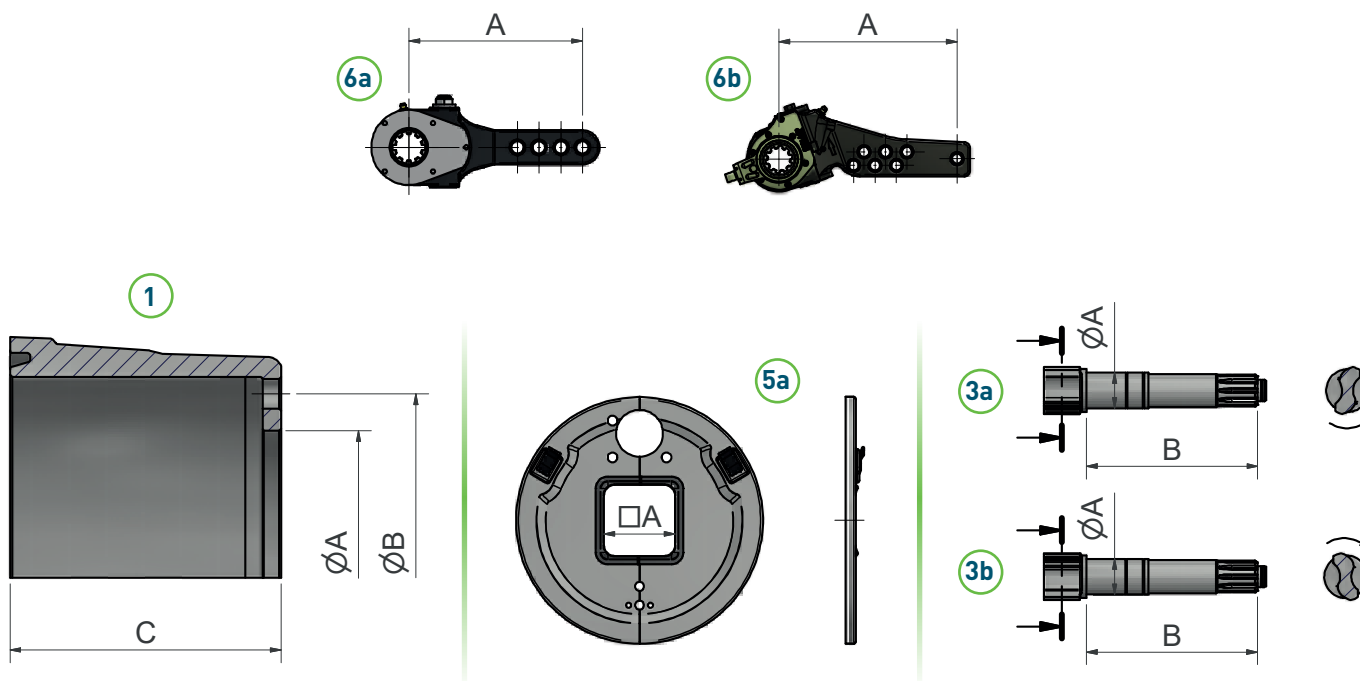
Brake	Item	Description	Code	A	B	C	Q.ty	Kit code
316I	5a	Protection plate □110	S743PAA111	110	-	-	1	OSB0PGC2
	5b	Upper spacer	S57712C7	-	-	-	2	
	5c	Self locking nut M10x1,5	S97510B1	-	-	-	3	
	5d	Lock washer Ø10	S57B1001	-	-	-	1	
	5e	Washer M10	S9811001	-	-	-	1	
	5f	Lower spacer	S57712C6	-	-	-	1	
	5g	Rubber fairlead	S73A01	-	-	-	1	
	5a	Protection plate □120	S743PAA211	120	-	-	1	OSB0PGD2
	5b	Upper spacer	S57712C7	-	-	-	2	
	5c	Self locking nut M10x1,5	S97510B1	-	-	-	3	
	5d	Lock washer Ø10	S57B1001	-	-	-	1	
	5e	Washer M10	S9811001	-	-	-	1	
	5f	Lower spacer	S57712C6	-	-	-	1	
	5g	Rubber fairlead	S73A01	-	-	-	1	
	5a	Protection plate Ø127	S743PAR221	Ø127	-	-	1	OSB0PGE2
	5b	Upper spacer	S57712C7	-	-	-	2	
	5c	Self locking nut M10x1,5	S97510B1	-	-	-	3	
	5d	Lock washer Ø10	S57B1001	-	-	-	1	
	5e	Washer M10	S9811001	-	-	-	1	
	5f	Lower spacer	S57712C6	-	-	-	1	
	5g	Rubber fairlead	S73A01	-	-	-	1	
	6a	Slack adjuster	S7621603	203	-	-	1	OSBR4001
	6c	Washer Ø26	S9812601	-	-	-	1	
	6d	Seeger Ø25	S58508	-	-	-	1	
	6e	Return spring Ø3,5 L173	S738201	-	-	-	1	
	6b	Automatic slack adjuster	S7631606	180	-	-	1	OSBA4001
	6c	Washer Ø26	S9812601	-	-	-	1	
	6d	Seeger Ø25	S58508	-	-	-	1	
6f	Return spring Ø2,8 L145	S738203	-	-	-	1		
6g	Setting plate	S76AM1	-	-	-	1		
6h	Screw M08x1,25	S96108A0251	-	-	-	4		
6i	Washer M08	S9810081	-	-	-	4		
6l	Nut M08x1,25	S97408A1	-	-	-	4		

316V - 300x160



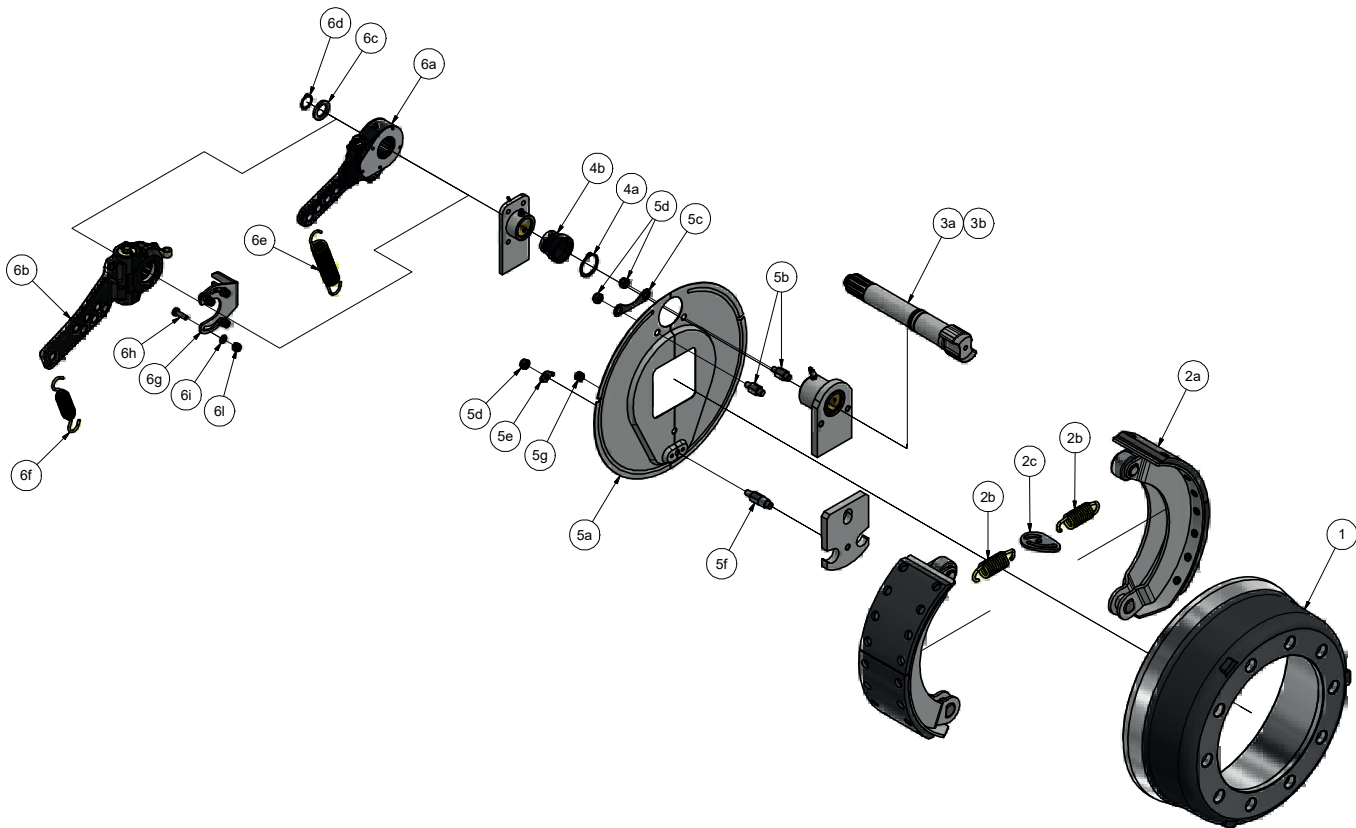
(1) From 150 to 300mm step 25mm. From 300 to 1000mm step 50mm.

Brake	Item	Description	Code	A	B	C	Q.ty	Kit code
316V	1	Drum 8 holes for M20	S66LPA0801	220	275	203	1	S66LPA0801
		Drum 10 holes for M22	S66LPA1R01	185	225	203	1	S66LPA1R01
	2a	Brake shoe complete	S732PE03	-	-	-	2	OSB0PV01
	2b	Spring	S738116	-	-	-	1	S738116
	2b	Spring	S738116	-	-	-	1	S738116
	3a	Right camshaft	S75C406...	42	{1}	-	1	S75C406...
	3b	Left camshaft	S75D406...	42	{1}	-	1	S75D406...
	4a	Seeger Ø42	S58514	-	-	-	1	OSBC4001
	4b	Rubber cover	S53A03	-	-	-	1	
	5a	Protection plate □80	S743PA8011	80	-	-	1	OSB0PG02
	5b	Upper spacer	S57712C7	-	-	-	2	
	5c	Self locking nut M10x1,5	S97510B1	-	-	-	3	
	5d	Lock washer Ø10	S57B1001	-	-	-	1	
	5e	Washer M10	S9811001	-	-	-	1	
	5f	Lower spacer	S57712C6	-	-	-	1	
	5g	Rubber fairlead	S73A01	-	-	-	1	
	5a	Protection plate □90	S743PA9011	90	-	-	1	OSB0PGA2
	5b	Upper spacer	S57712C7	-	-	-	2	
	5c	Self locking nut M10x1,5	S97510B1	-	-	-	3	
	5d	Lock washer Ø10	S57B1001	-	-	-	1	
	5e	Washer M10	S9811001	-	-	-	1	
	5f	Lower spacer	S57712C6	-	-	-	1	
	5g	Rubber fairlead	S73A01	-	-	-	1	
	5a	Protection plate □100	S743PAA011	100	-	-	1	OSB0PGB2
5b	Upper spacer	S57712C7	-	-	-	2		
5c	Self locking nut M10x1,5	S97510B1	-	-	-	3		
5d	Lock washer Ø10	S57B1001	-	-	-	1		
5e	Washer M10	S9811001	-	-	-	1		
5f	Lower spacer	S57712C6	-	-	-	1		
5g	Rubber fairlead	S73A01	-	-	-	1		



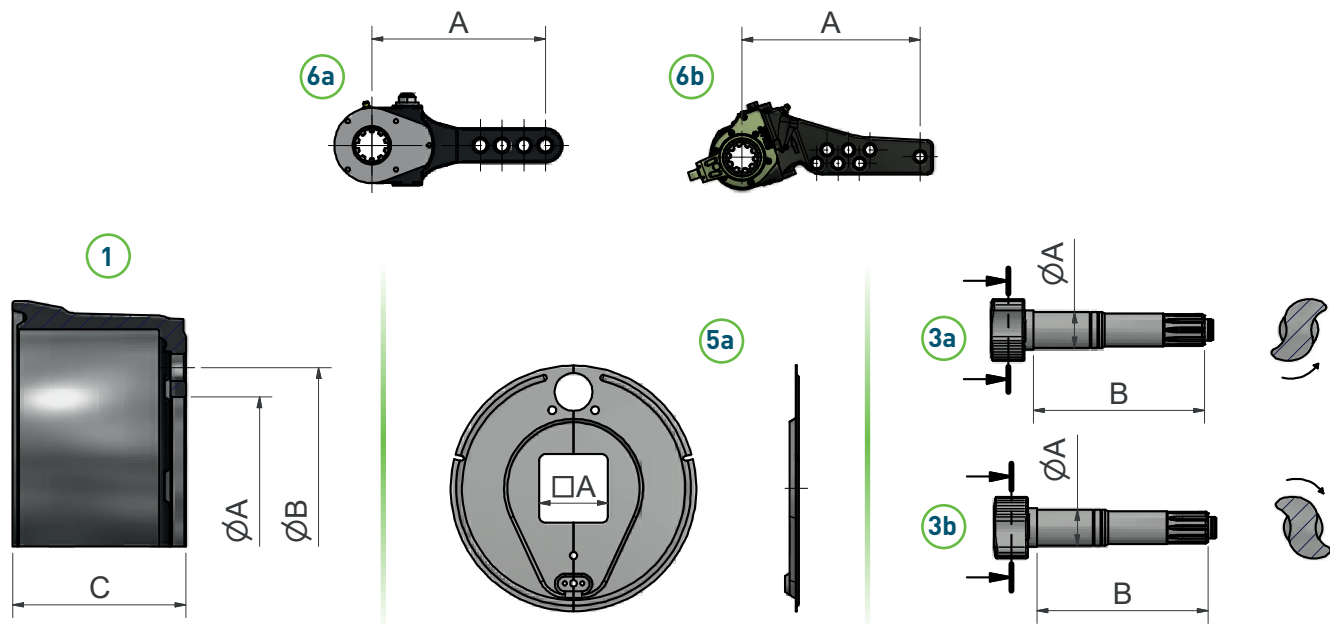
Brake	Item	Description	Code	A	B	C	Q.ty	Kit code
316V	5a	Protection plate □110	S743PAA111	110	-	-	1	OSB0PGC2
	5b	Upper spacer	S57712C7	-	-	-	2	
	5c	Self locking nut M10x1,5	S97510B1	-	-	-	3	
	5d	Lock washer Ø10	S57B1001	-	-	-	1	
	5e	Washer M10	S9811001	-	-	-	1	
	5f	Lower spacer	S57712C6	-	-	-	1	
	5g	Rubber fairlead	S73A01	-	-	-	1	
	5a	Protection plate □120	S743PAA211	120	-	-	1	OSB0PGD2
	5b	Upper spacer	S57712C7	-	-	-	2	
	5c	Self locking nut M10x1,5	S97510B1	-	-	-	3	
	5d	Lock washer Ø10	S57B1001	-	-	-	1	
	5e	Washer M10	S9811001	-	-	-	1	
	5f	Lower spacer	S57712C6	-	-	-	1	
	5g	Rubber fairlead	S73A01	-	-	-	1	
	5a	Protection plate Ø127	S743PAR221	Ø127	-	-	1	OSB0PGE2
	5b	Upper spacer	S57712C7	-	-	-	2	
	5c	Self locking nut M10x1,5	S97510B1	-	-	-	3	
	5d	Lock washer Ø10	S57B1001	-	-	-	1	
	5e	Washer M10	S9811001	-	-	-	1	
	5f	Lower spacer	S57712C6	-	-	-	1	
	5g	Rubber fairlead	S73A01	-	-	-	1	
	6a	Slack adjuster	S7621603	203	-	-	1	OSBR4001
	6c	Washer Ø26	S9812601	-	-	-	1	
	6d	Seeger Ø25	S58508	-	-	-	1	
6e	Return spring Ø3,5 L173	S738201	-	-	-	1		
6b	Automatic slack adjuster	S7631606	180	-	-	1	OSBA4002	
6c	Washer Ø26	S9812601	-	-	-	1		
6d	Seeger Ø25	S58508	-	-	-	1		
6f	Return spring Ø2,8 L145	S738203	-	-	-	1		
6g	Setting plate	S76A12	-	-	-	1		

4061 - 406x120



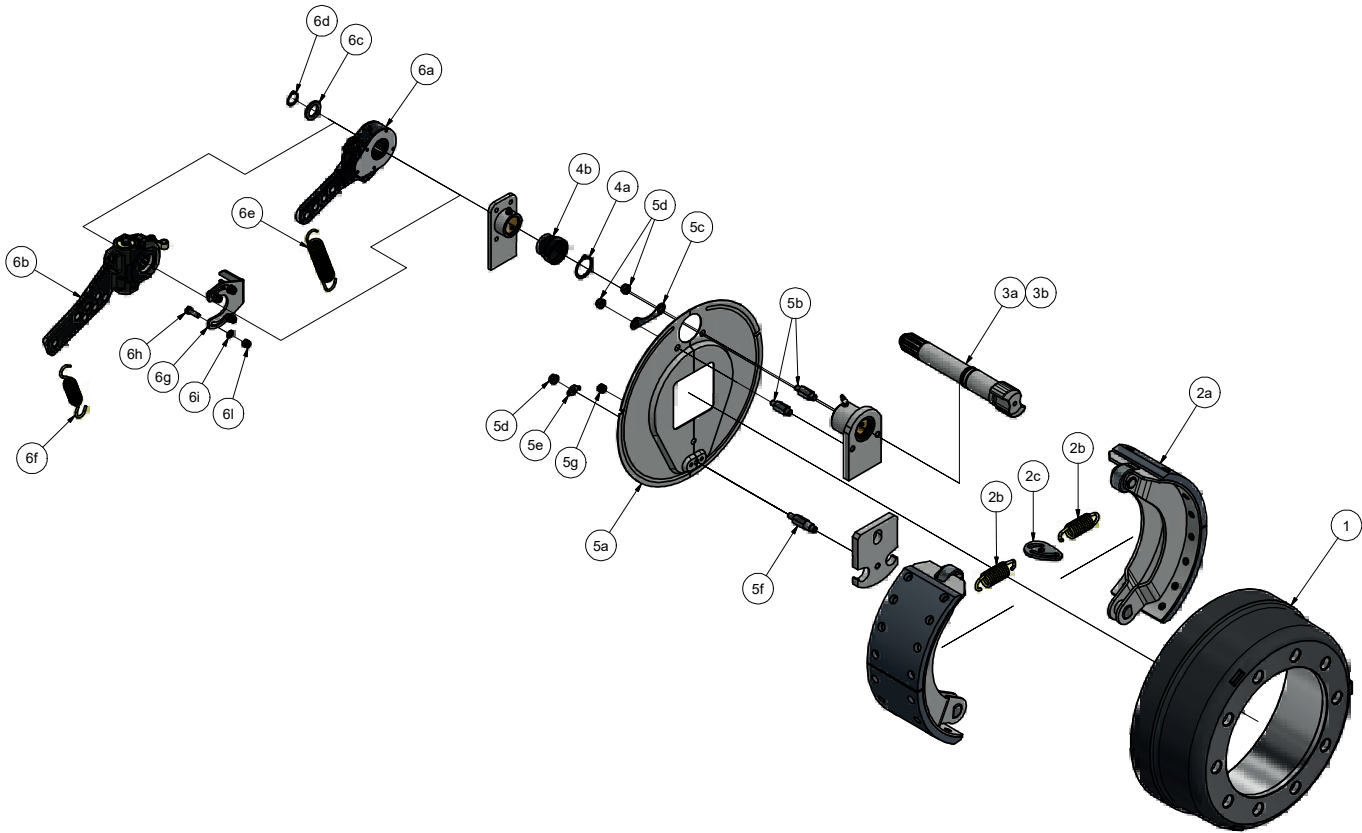
(1) From 150 to 300mm step 25mm. From 300 to 1000mm step 50mm.

Brake	Item	Description	Code	A	B	C	Q.ty	Kit code
4061	1	Drum 8 holes for M20	S66LVA0801	220	275	164	1	S66LVA0801
		Drum 10 holes for M22	S66LVA1001	280	335	162	1	S66LVA1001
	2a	Brake shoe complete	S732VA01	-	-	-	2	OSB0VA01
	2b	Spring	S738119	-	-	-	2	
	2c	Spring extender	S736WA01	-	-	-	1	
	2b	Spring	S738119	-	-	-	2	OSB0VA03
	3a	Right camshaft	S754406...	42	{1}	-	1	S754406...
	3b	Left camshaft	S755406...	42	{1}	-	1	S755406...
	4a	Seeger Ø42	S58514	-	-	-	1	OSBC4001
	4b	Rubber cover	S53A03	-	-	-	1	
	5a	Protection plate □90	S743VA9011	90	-	-	1	OSB0VA02
	5b	Upper spacer	S57712C4	-	-	-	2	
	5c	Cover plate	S58701	-	-	-	1	
	5d	Self locking nut M10x1,5	S97510B1	-	-	-	3	
	5e	Lock washer Ø10	S57B1001	-	-	-	1	
	5f	Lower spacer	S57712C3	-	-	-	1	
	5g	Rubber fairlead	S73A01	-	-	-	1	
	5a	Protection plate □100	S743VAA011	100	-	-	1	OSB0VAA2
	5b	Upper spacer	S57712C4	-	-	-	2	
	5c	Cover plate	S58701	-	-	-	1	
	5d	Self locking nut M10x1,5	S97510B1	-	-	-	3	
	5e	Lock washer Ø10	S57B1001	-	-	-	1	
	5f	Lower spacer	S57712C3	-	-	-	1	OSB0VAB2
	5g	Rubber fairlead	S73A01	-	-	-	1	
	5a	Protection plate □110	S743VAA111	110	-	-	1	
	5b	Upper spacer	S57712C4	-	-	-	2	
	5c	Cover plate	S58701	-	-	-	1	
	5d	Self locking nut M10x1,5	S97510B1	-	-	-	3	
5e	Lock washer Ø10	S57B1001	-	-	-	1		
5f	Lower spacer	S57712C3	-	-	-	1		
5g	Rubber fairlead	S73A01	-	-	-	1		



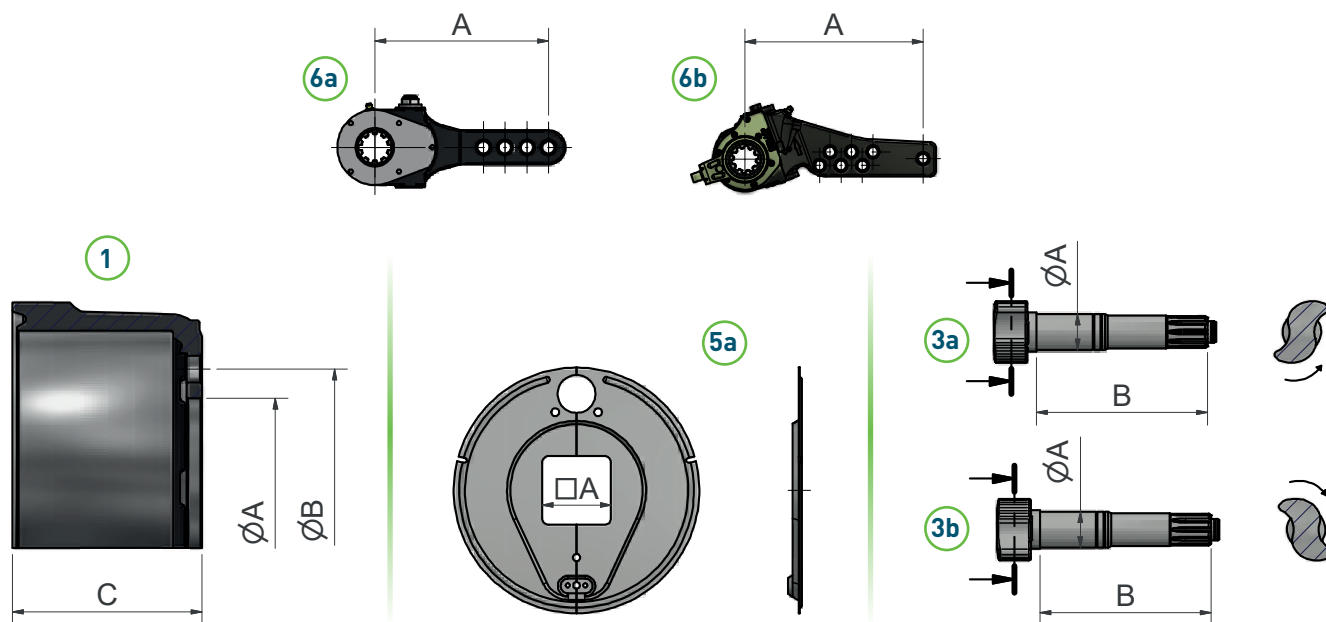
Brake	Item	Description	Code	A	B	C	Q.ty	Kit code
406I	5a	Protection plate □120	S743VAA211	120	-	-	1	OSB0VAC2
	5b	Upper spacer	S57712C4	-	-	-	2	
	5c	Cover plate	S58701	-	-	-	1	
	5d	Self locking nut M10x1,5	S97510B1	-	-	-	3	
	5e	Lock washer Ø10	S57B1001	-	-	-	1	
	5f	Lower spacer	S57712C3	-	-	-	1	
	5g	Rubber fairlead	S73A01	-	-	-	1	
	5a	Protection plate □130	S743VAA311	130	-	-	1	OSB0VAD2
	5b	Upper spacer	S57712C4	-	-	-	2	
	5c	Cover plate	S58701	-	-	-	1	
	5d	Self locking nut M10x1,5	S97510B1	-	-	-	3	
	5e	Lock washer Ø10	S57B1001	-	-	-	1	
	5f	Lower spacer	S57712C3	-	-	-	1	
	5g	Rubber fairlead	S73A01	-	-	-	1	
	5a	Protection plate □150	S743VAA511	150	-	-	1	OSB0VAE2
	5b	Upper spacer	S57712C4	-	-	-	2	
	5c	Cover plate	S58701	-	-	-	1	
	5d	Self locking nut M10x1,5	S97510B1	-	-	-	3	
	5e	Lock washer Ø10	S57B1001	-	-	-	1	
	5f	Lower spacer	S57712C3	-	-	-	1	
	5g	Rubber fairlead	S73A01	-	-	-	1	
	5a	Protection plate Ø127	S743VAR222	Ø127	-	-	1	OSB0VAF2
	5b	Upper spacer	S57712C4	-	-	-	2	
	5c	Cover plate	S58701	-	-	-	1	
	5d	Self locking nut M10x1,5	S97510B1	-	-	-	3	
	5e	Lock washer Ø10	S57B1001	-	-	-	1	
	5f	Lower spacer	S57712C3	-	-	-	1	
	5g	Rubber fairlead	S73A01	-	-	-	1	
6a	Slack adjuster	S7621603	203	-	-	1	OSBR4001	
6c	Washer Ø26	S9812601	-	-	-	1		
6d	Seeger Ø25	S58508	-	-	-	1		
6e	Return spring Ø3,5 L173	S738201	-	-	-	1		
6b	Automatic slack adjuster	S7631606	180	-	-	1	OSBA4001	
6c	Washer Ø26	S9812601	-	-	-	1		
6d	Seeger Ø25	S58508	-	-	-	1		
6f	Return spring Ø2,8 L145	S738203	-	-	-	1		
6g	Setting plate	S76AM1	-	-	-	1		
6h	Screw M08x1,25	S96108A0251	-	-	-	4		
6i	Washer M08	S9810081	-	-	-	4		
6l	Nut M08x1,25	S97408A1	-	-	-	4		

406P - 406x140



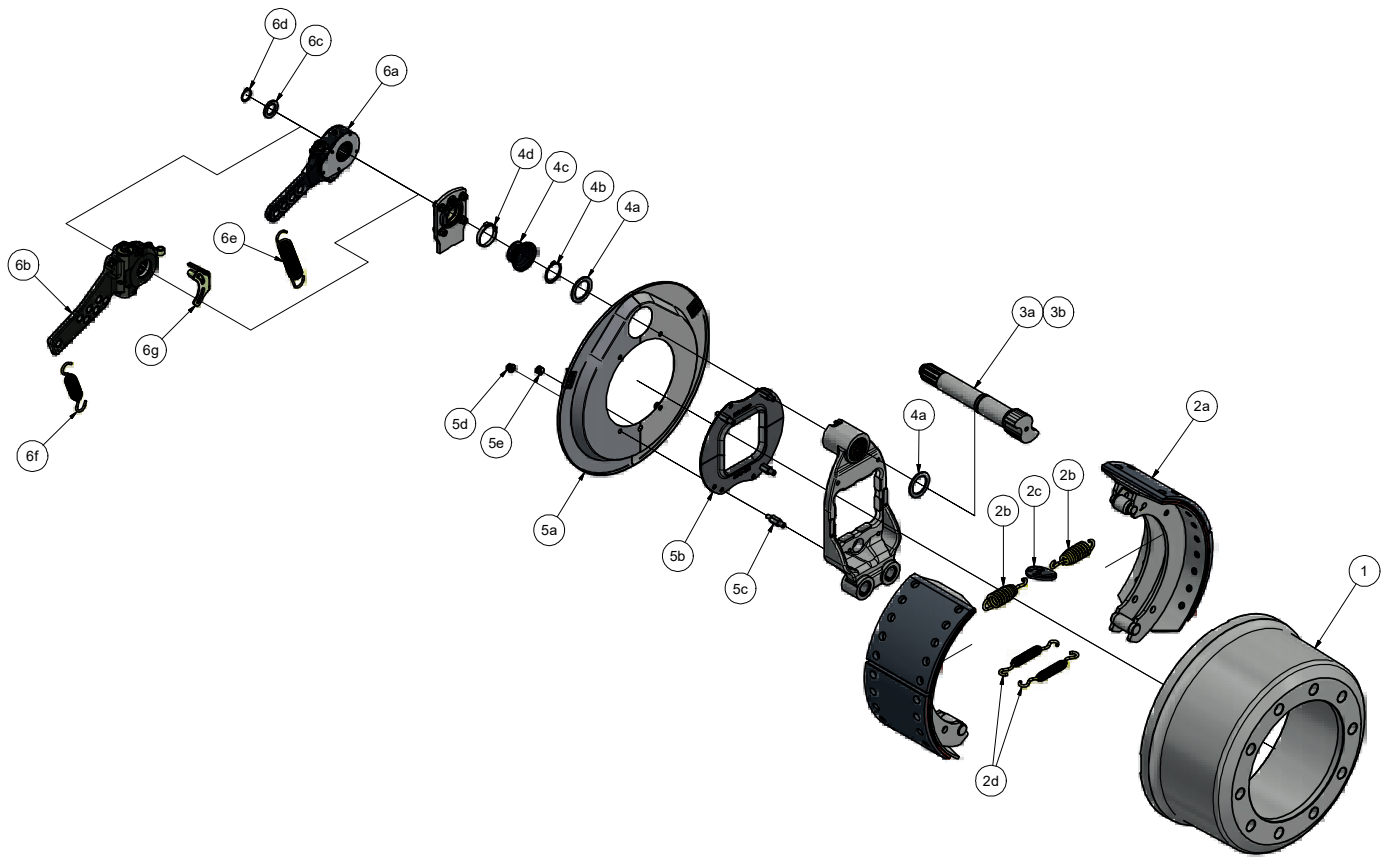
(1) From 150 to 300mm step 25mm. From 300 to 1000mm step 50mm.

Brake	Item	Description	Code	A	B	C	Q.ty	Kit code
406P	1	Drum 8 holes for M20	S66LWA0801	220	275	179	1	S66LWA0801
		Drum 10 holes for M22	S66LWA1001	280	335	177	1	S66LWA1001
	2a	Brake shoe complete	S732WA01	-	-	-	2	OSB0WA01
	2b	Spring	S738119	-	-	-	2	
	2c	Spring extender	S736WA01	-	-	-	1	
	2b	Spring	S738119	-	-	-	2	OSB0VA03
	3a	Right camshaft	S754406...	42	{1}	-	1	S754406...
	3b	Left camshaft	S755406...	42	{1}	-	1	S755406...
	4a	Seeger Ø42	S58514	-	-	-	1	OSBC4001
	4b	Rubber cover	S53A03	-	-	-	1	
	5a	Protection plate □90	S743VA9011	90	-	-	1	OSB0WA02
	5b	Upper spacer	S57712C2	-	-	-	2	
	5c	Cover plate	S58701	-	-	-	1	
	5d	Self locking nut M10x1,5	S97510B1	-	-	-	3	
	5e	Lock washer Ø10	S57B1001	-	-	-	1	
	5f	Lower spacer	S57712C1	-	-	-	1	
	5g	Rubber fairlead	S73A01	-	-	-	1	
	5a	Protection plate □100	S743VAA011	100	-	-	1	OSB0WAA2
	5b	Upper spacer	S57712C2	-	-	-	2	
	5c	Cover plate	S58701	-	-	-	1	
	5d	Self locking nut M10x1,5	S97510B1	-	-	-	3	
	5e	Lock washer Ø10	S57B1001	-	-	-	1	
	5f	Lower spacer	S57712C1	-	-	-	1	
	5g	Rubber fairlead	S73A01	-	-	-	1	
	5a	Protection plate □110	S743VAA111	110	-	-	1	OSB0WAB2
	5b	Upper spacer	S57712C2	-	-	-	2	
	5c	Cover plate	S58701	-	-	-	1	
	5d	Self locking nut M10x1,5	S97510B1	-	-	-	3	
	5e	Lock washer Ø10	S57B1001	-	-	-	1	
	5f	Lower spacer	S57712C1	-	-	-	1	
5g	Rubber fairlead	S73A01	-	-	-	1		



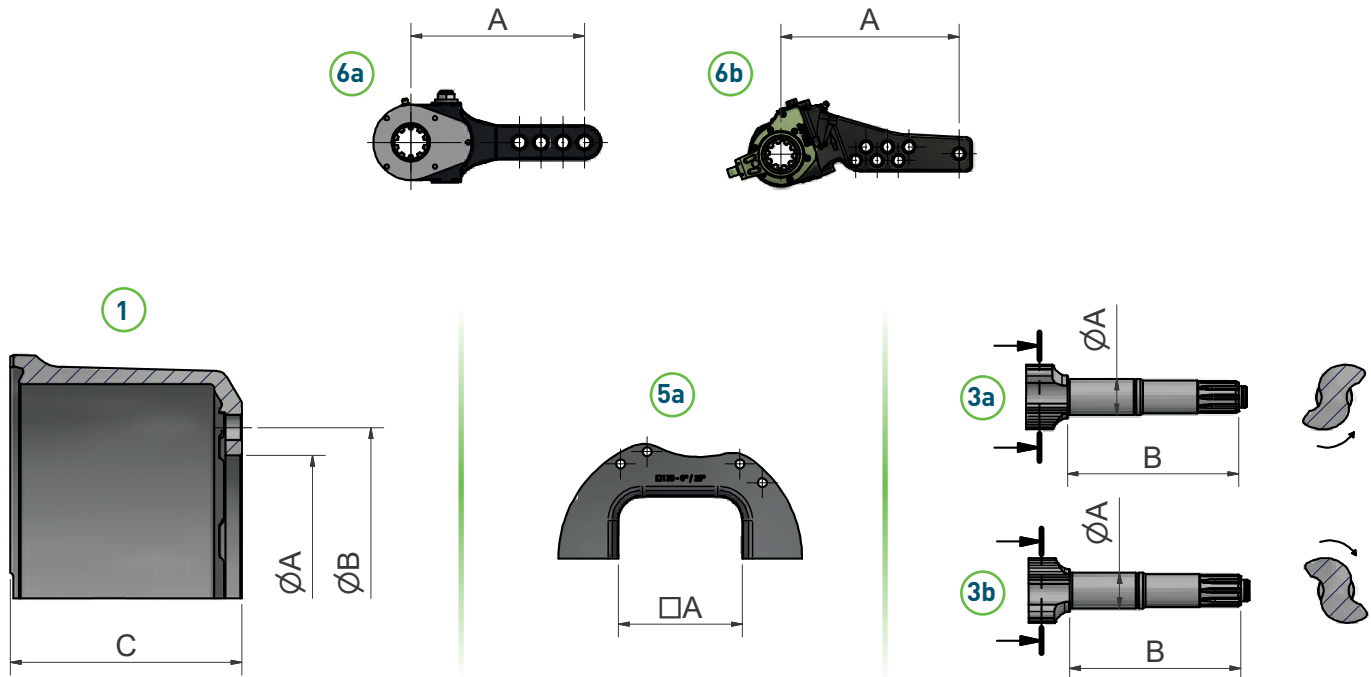
Brake	Item	Description	Code	A	B	C	Q.ty	Kit code
406P	5a	Protection plate □120	S743VAA211	120	-	-	1	OSB0WAC2
	5b	Upper spacer	S57712C2	-	-	-	2	
	5c	Cover plate	S58701	-	-	-	1	
	5d	Self locking nut M10x1,5	S97510B1	-	-	-	3	
	5e	Lock washer Ø10	S57B1001	-	-	-	1	
	5f	Lower spacer	S57712C1	-	-	-	1	
	5g	Rubber fairlead	S73A01	-	-	-	1	
	5a	Protection plate □130	S743VAA311	130	-	-	1	OSB0WAD2
	5b	Upper spacer	S57712C2	-	-	-	2	
	5c	Cover plate	S58701	-	-	-	1	
	5d	Self locking nut M10x1,5	S97510B1	-	-	-	3	
	5e	Lock washer Ø10	S57B1001	-	-	-	1	
	5f	Lower spacer	S57712C1	-	-	-	1	
	5g	Rubber fairlead	S73A01	-	-	-	1	
	5a	Protection plate □150	S743VAA511	150	-	-	1	OSB0WAE2
	5b	Upper spacer	S57712C2	-	-	-	2	
	5c	Cover plate	S58701	-	-	-	1	
	5d	Self locking nut M10x1,5	S97510B1	-	-	-	3	
	5e	Lock washer Ø10	S57B1001	-	-	-	1	
	5f	Lower spacer	S57712C1	-	-	-	1	
	5g	Rubber fairlead	S73A01	-	-	-	1	
	5a	Protection plate Ø127	S743VAR222	Ø127	-	-	1	OSB0WAF2
	5b	Upper spacer	S57712C2	-	-	-	2	
	5c	Cover plate	S58701	-	-	-	1	
	5d	Self locking nut M10x1,5	S97510B1	-	-	-	3	
	5e	Lock washer Ø10	S57B1001	-	-	-	1	
	5f	Lower spacer	S57712C1	-	-	-	1	
	5g	Rubber fairlead	S73A01	-	-	-	1	
6a	Slack adjuster	S7621603	203	-	-	1	OSBR4001	
6c	Washer Ø26	S9812601	-	-	-	1		
6d	Seeger Ø25	S58508	-	-	-	1		
6e	Return spring Ø3,5 L173	S738201	-	-	-	1		
6b	Automatic slack adjuster	S7631606	180	-	-	1	OSBA4001	
6c	Washer Ø26	S9812601	-	-	-	1		
6d	Seeger Ø25	S58508	-	-	-	1		
6f	Return spring Ø2,8 L145	S738203	-	-	-	1		
6g	Setting plate	S76AM1	-	-	-	1		
6h	Screw M08x1,25	S96108A0251	-	-	-	4		
6i	Washer M08	S9810081	-	-	-	4		
6l	Nut M08x1,25	S97408A1	-	-	-	4		

420I - 420x180

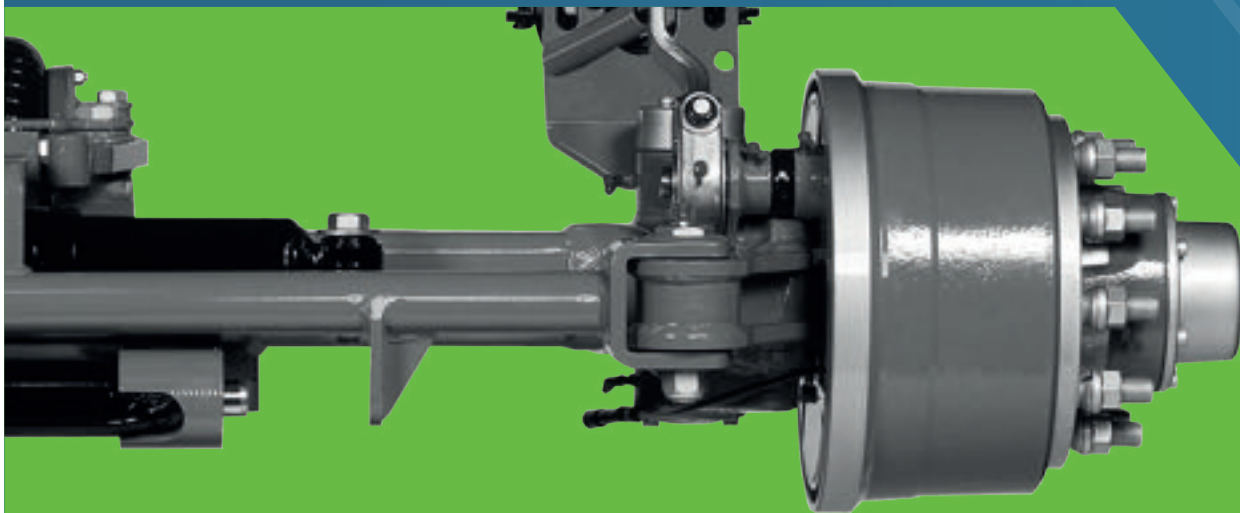
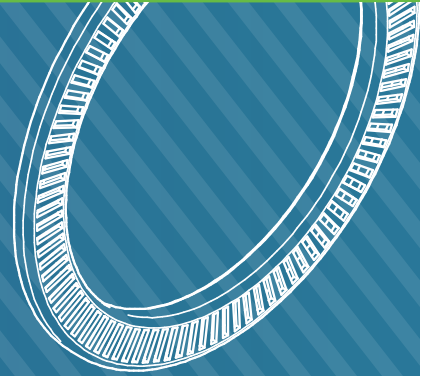
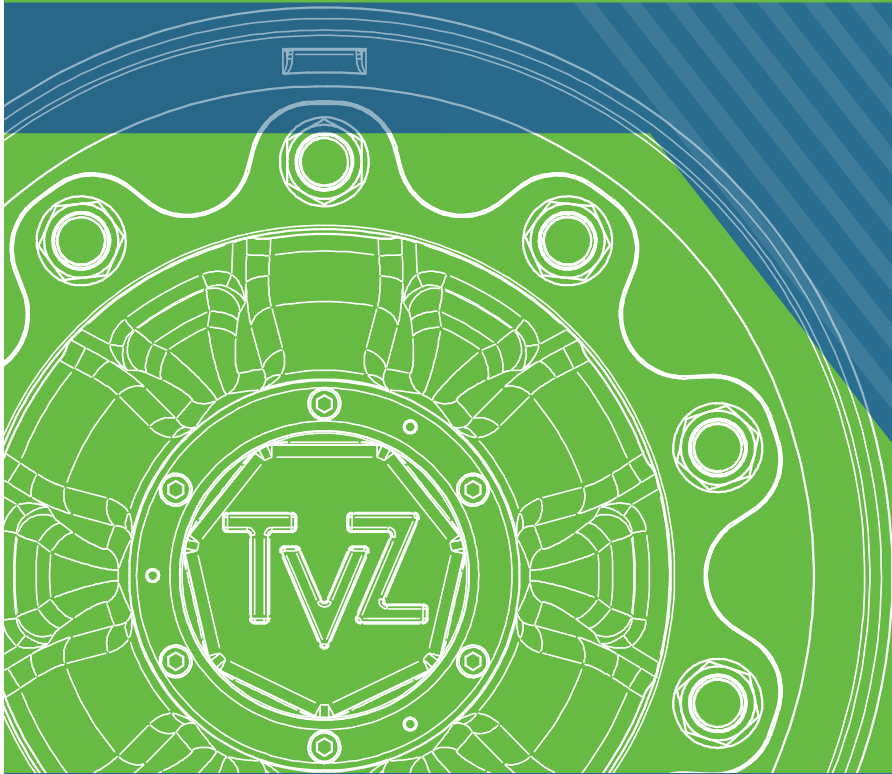


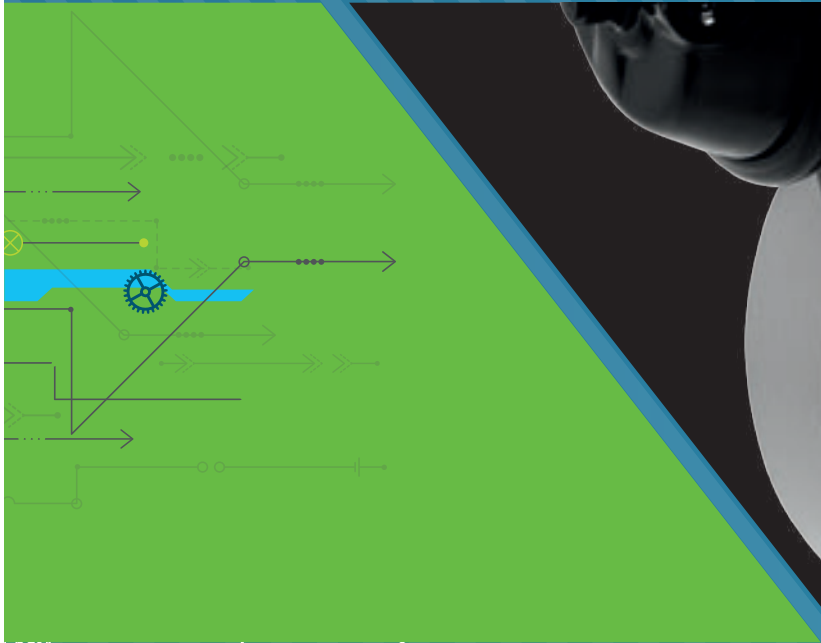
[1] From 175 to 300mm step 25mm. From 300 to 1000mm step 50mm.

Brake	Item	Description	Code	A	B	C	Q.ty	Kit code
420I	1	Drum 10 holes for M22	S66LXA1002	280	335	227	1	S66LXA1002
	2a	Brake shoe complete	S732XC04	-	-	-	2	OSB0XC01
	2b	Spring	S738128	-	-	-	2	
	2c	Spring extender	S736XC02	-	-	-	1	
	2d	Spring	S738129	-	-	-	2	
	2b	Spring	S738128	-	-	-	2	OSB0XC03
	2d	Spring	S738129	-	-	-	2	
	3a	Right camshaft	S75P406...	42	[1]	-	1	S75P406...
	3b	Left camshaft	S75Q406...	42	[1]	-	1	S75Q406...
	4a	Washer	S73G01	-	-	-	2	OSBC4002
	4b	Seeger Ø42	S58514	-	-	-	1	
	4c	Rubber cover	S53A11	-	-	-	1	
	4d	Hose clamp	S98E01	-	-	-	1	
	5a	Protection plate	S743XC0002	-	-	-	1	OSB0XC02
	5b	Square seal □110	S747A112	110	-	-	2	
	5c	Spacer	S57708A1	-	-	-	4	
	5d	Self locking nut M08x1,25	S97708A1	-	-	-	4	
	5e	Rubber fairlead	S73A01	-	-	-	1	
	5a	Protection plate	S743XC0002	-	-	-	1	OSB0XCA2
	5b	Square seal □120	S747A242	120	-	-	2	
	5c	Spacer	S57708A1	-	-	-	4	
	5d	Self locking nut M08x1,25	S97708A1	-	-	-	4	
	5e	Rubber fairlead	S73A01	-	-	-	1	
	5a	Protection plate	S743XC0002	-	-	-	1	OSB0XCB2
	5b	Square seal □130	S747A342	130	-	-	2	
5c	Spacer	S57708A1	-	-	-	4		
5d	Self locking nut M08x1,25	S97708A1	-	-	-	4		
5e	Rubber fairlead	S73A01	-	-	-	1		

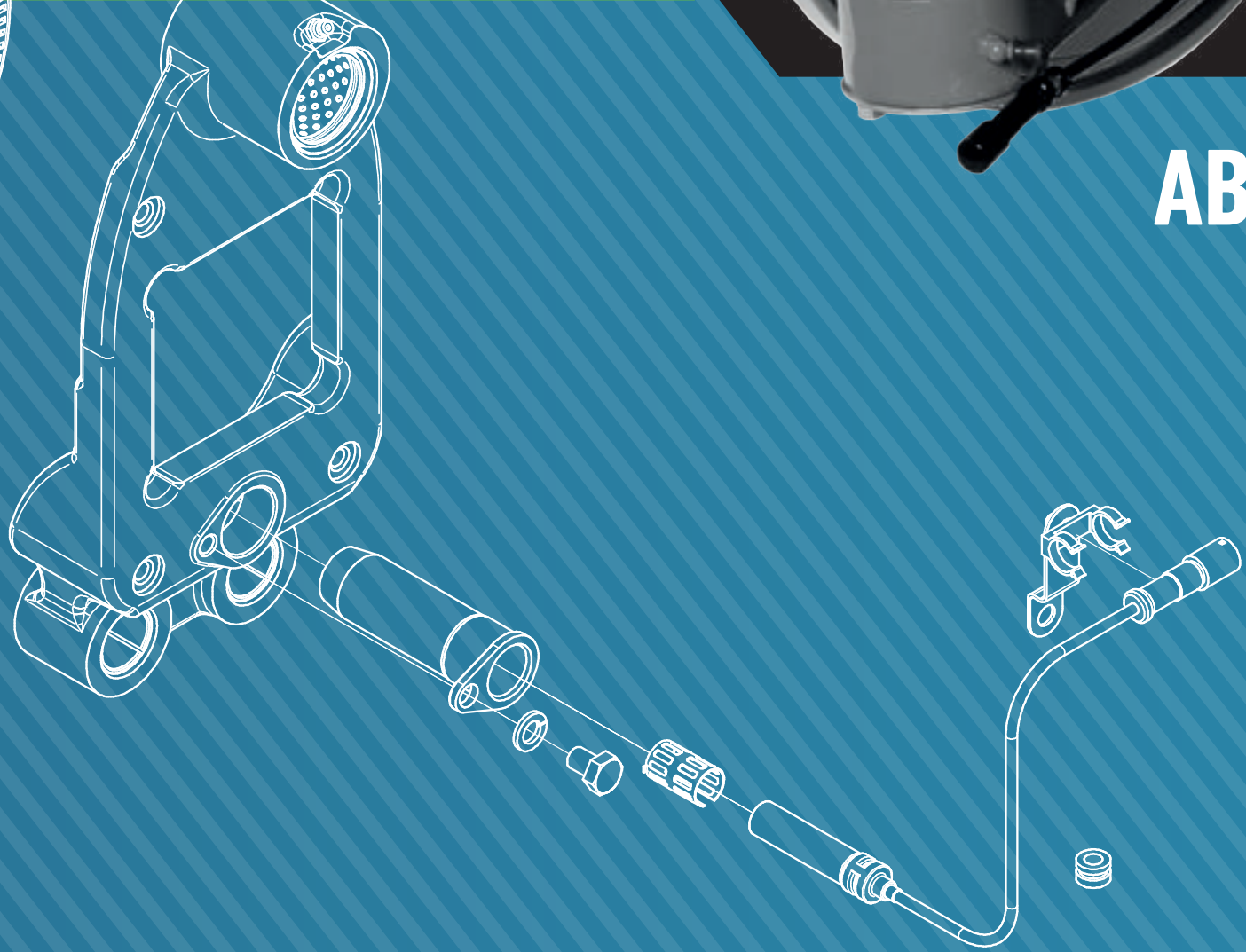


Brake	Item	Description	Code	A	B	C	Q.ty	Kit code
420I	5a	Protection plate	S743XC0002	-	-	-	1	OSB0XCC2
	5b	Square seal □150	S747A542	150	-	-	2	
	5c	Spacer	S57708A1	-	-	-	4	
	5d	Self locking nut M08x1,25	S97708A1	-	-	-	4	
	5e	Rubber fairlead	S73A01	-	-	-	1	
	5a	Protection plate Ø127	S743XCR221	-	-	-	1	OSB0XCD2
	5b	Spacer	S57708A1	-	-	-	4	
	5c	Self locking nut M08x1,25	S97708A1	-	-	-	4	
	5d	Rubber fairlead	S73A01	-	-	-	1	
	6a	Slack adjuster	S7621603	203	-	-	1	OSBR4001
	6c	Washer Ø26	S9812601	-	-	-	1	
	6d	Seeger Ø25	S58508	-	-	-	1	
	6e	Return spring Ø3,5 L173	S738201	-	-	-	1	
	6b	Automatic slack adjuster	S7631606	180	-	-	1	OSBA4002
6c	Washer Ø26	S9812601	-	-	-	1		
6d	Seeger Ø25	S58508	-	-	-	1		
6f	Return spring Ø2,8 L145	S738203	-	-	-	1		
6g	Setting plate	S76A12	-	-	-	1		

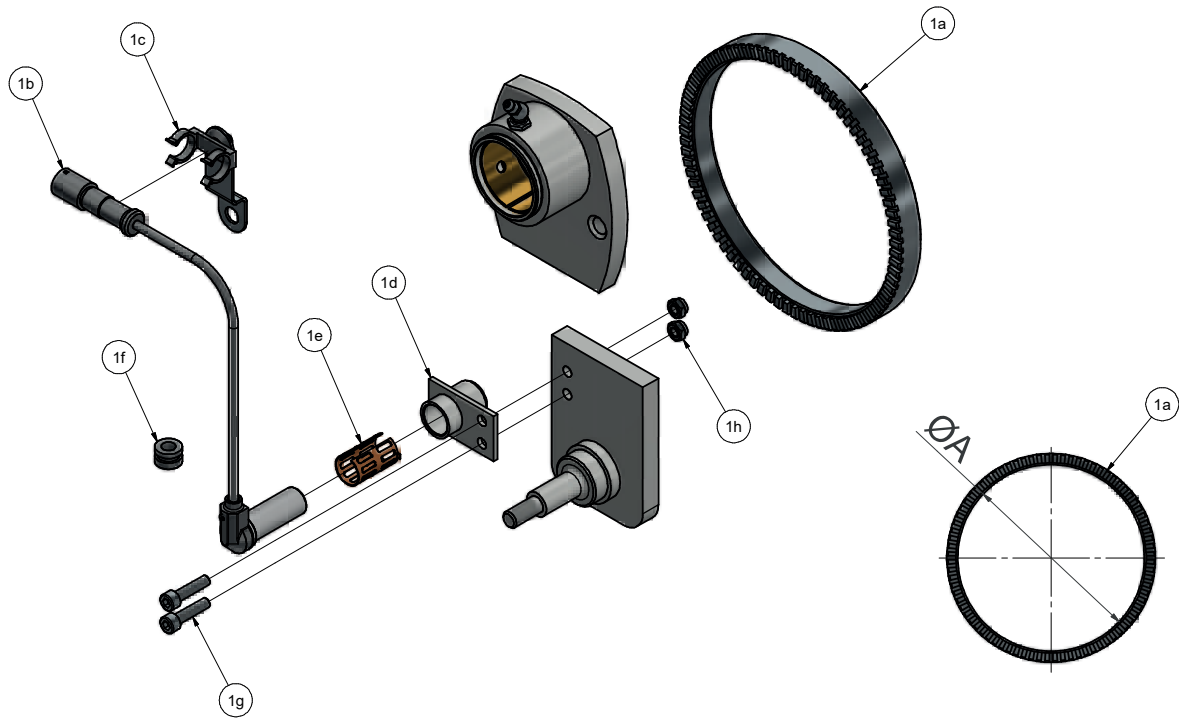




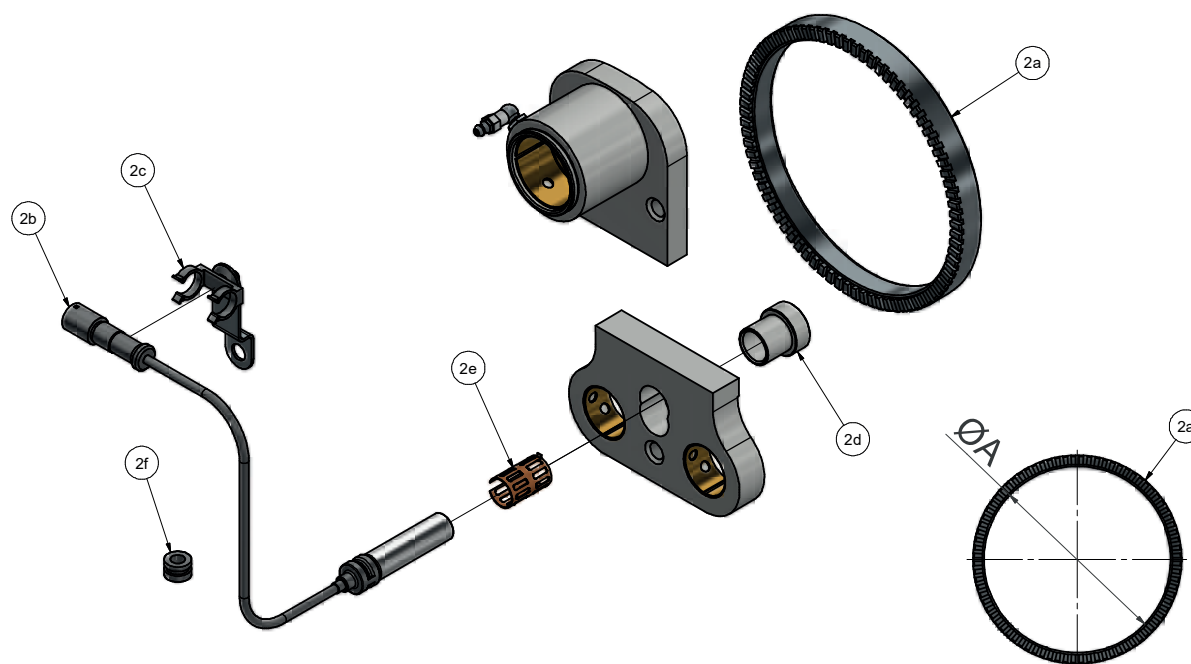
ABS



310I - 300x100

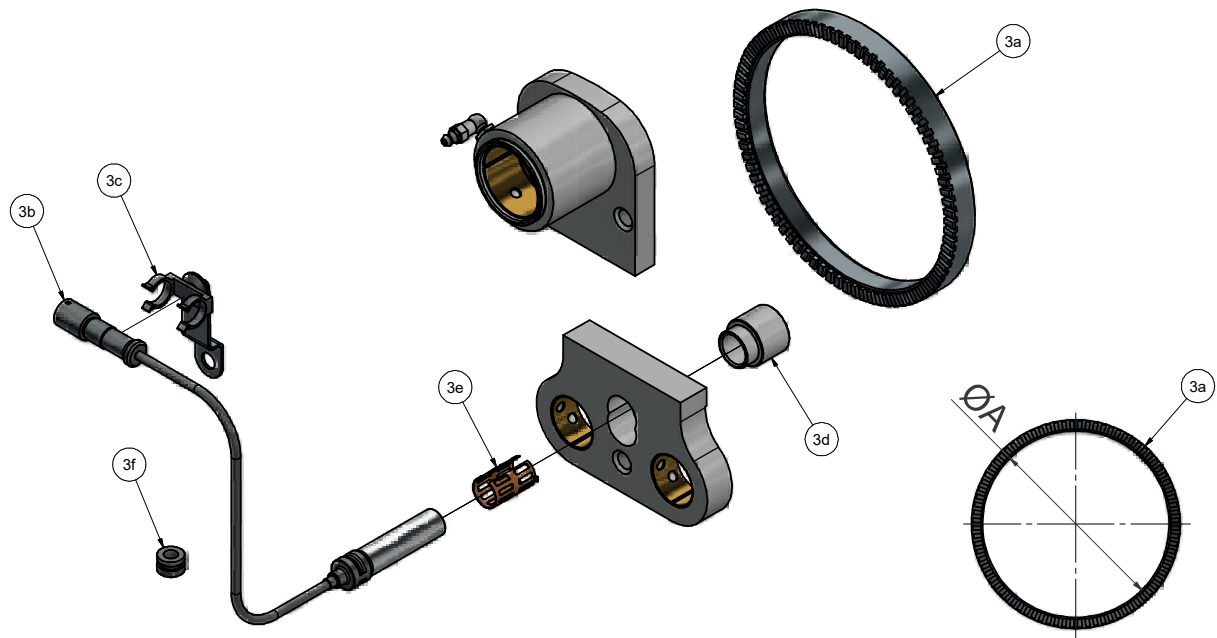


Brake	Hub type	Item	Description	Code	A	Qty	Kit code
310I	660	1a	Phonic wheel 80 teeth	S739102	134	1	OSA0JF01
		1b	Sensor	S73A16	-	1	
		1c	Cable support	S73A13	-	1	
		1d	Sensor support	S73A22	-	1	
		1e	Cage	S73A09	-	1	
		1f	Fairlead	S73A01	-	1	
		1g	Screw M06X1,00 L25	S9630610251	-	2	
		1h	Nut M06X1,00	S9750611	-	2	
	668	1a	Phonic wheel 80 teeth	S739103	142	1	OSA0JF02
		1b	Sensor	S73A16	-	1	
		1c	Cable support	S73A13	-	1	
		1d	Sensor support	S73A22	-	1	
		1e	Cage	S73A09	-	1	
		1f	Fairlead	S73A01	-	1	
		1g	Screw M06X1,00 L25	S9630610251	-	2	
		1h	Nut M06X1,00	S9750611	-	2	
	671 - 672 -675	1a	Phonic wheel 80 teeth	S739104	152	1	OSA0JF03
		1b	Sensor	S73A16	-	1	
		1c	Cable support	S73A13	-	1	
		1d	Sensor support	S73A22	-	1	
		1e	Cage	S73A09	-	1	
		1f	Fairlead	S73A01	-	1	
		1g	Screw M06X1,00 L25	S9630610251	-	2	
		1h	Nut M06X1,00	S9750611	-	2	

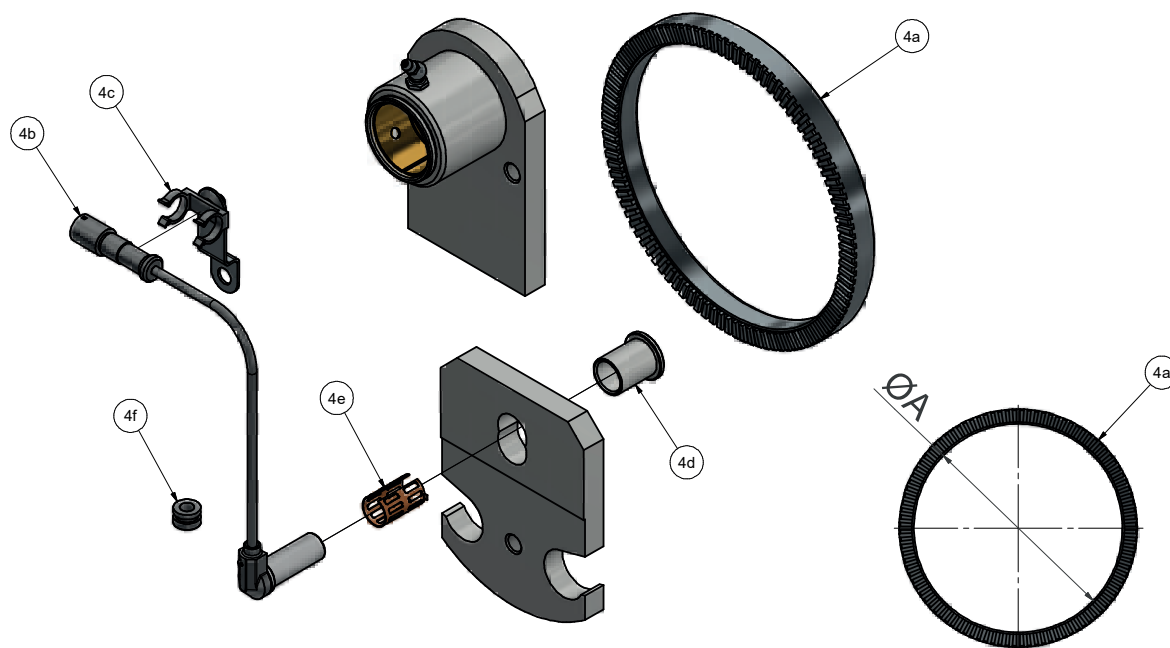


Brake	Hub type	Item	Description	Code	A	Qty	Kit code
314I	671 - 672 - 675	2a	Phonic wheel 80 teeth	S739104	152	1	OSA0KF01
		2b	Sensor	S73A08	-	1	
		2c	Cable support	S73A13	-	1	
		2d	Sensor support	S773183002	-	1	
		2e	Cage	S73A09	-	1	
		2f	Fairlead	S73A01	-	1	
	880 - 888	2a	Phonic wheel 80 teeth	S739104	152	1	OSA0KF02
		2b	Sensor	S73A08	-	1	
		2c	Cable support	S73A13	-	1	
		2d	Sensor support	S773183002	-	1	
		2e	Cage	S73A09	-	1	
		2f	Fairlead	S73A01	-	1	
	898	2a	Phonic wheel 100 teeth	S739107	170	1	OSA0KF03
		2b	Sensor	S73A08	-	1	
		2c	Cable support	S73A13	-	1	
		2d	Sensor support	S773183002	-	1	
		2e	Cage	S73A09	-	1	
		2f	Fairlead	S73A01	-	1	
	899	2a	Phonic wheel 80 teeth	S739104	152	1	OSA0KF04
		2b	Sensor	S73A08	-	1	
		2c	Cable support	S73A13	-	1	
		2d	Sensor support	S773183002	-	1	
		2e	Cage	S73A09	-	1	
		2f	Fairlead	S73A01	-	1	

316I - 300x160

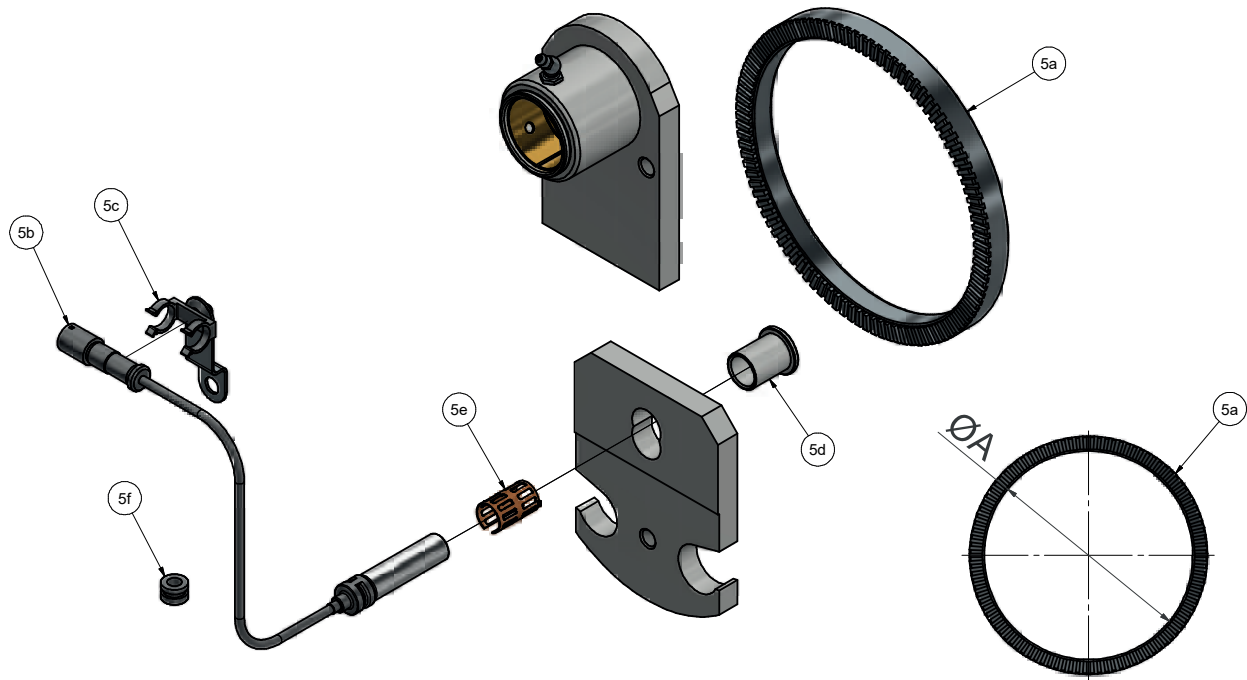


Brake	Hub type	Item	Description	Code	A	Qty	Kit code
316I	671 - 672 - 675	3a	Phonic wheel 80 teeth	S739104	152	1	OSA0PG01
		3b	Sensor	S73A08	-	1	
		3c	Cable support	S73A13	-	1	
		3d	Sensor support	S773183001	-	1	
		3e	Cage	S73A09	-	1	
		3f	Fairlead	S73A01	-	1	
	880 - 888	3a	Phonic wheel 80 teeth	S739104	152	1	OSA0PG02
		3b	Sensor	S73A08	-	1	
		3c	Cable support	S73A13	-	1	
		3d	Sensor support	S773183001	-	1	
		3e	Cage	S73A09	-	1	
		3f	Fairlead	S73A01	-	1	
	898	3a	Phonic wheel 100 teeth	S739107	170	1	OSA0PG03
		3b	Sensor	S73A08	-	1	
		3c	Cable support	S73A13	-	1	
		3d	Sensor support	S773183001	-	1	
		3e	Cage	S73A09	-	1	
		3f	Fairlead	S73A01	-	1	
	899	3a	Phonic wheel 80 teeth	S739104	152	1	OSA0PG04
		3b	Sensor	S73A08	-	1	
		3c	Cable support	S73A13	-	1	
		3d	Sensor support	S773183001	-	1	
		3e	Cage	S73A09	-	1	
		3f	Fairlead	S73A01	-	1	

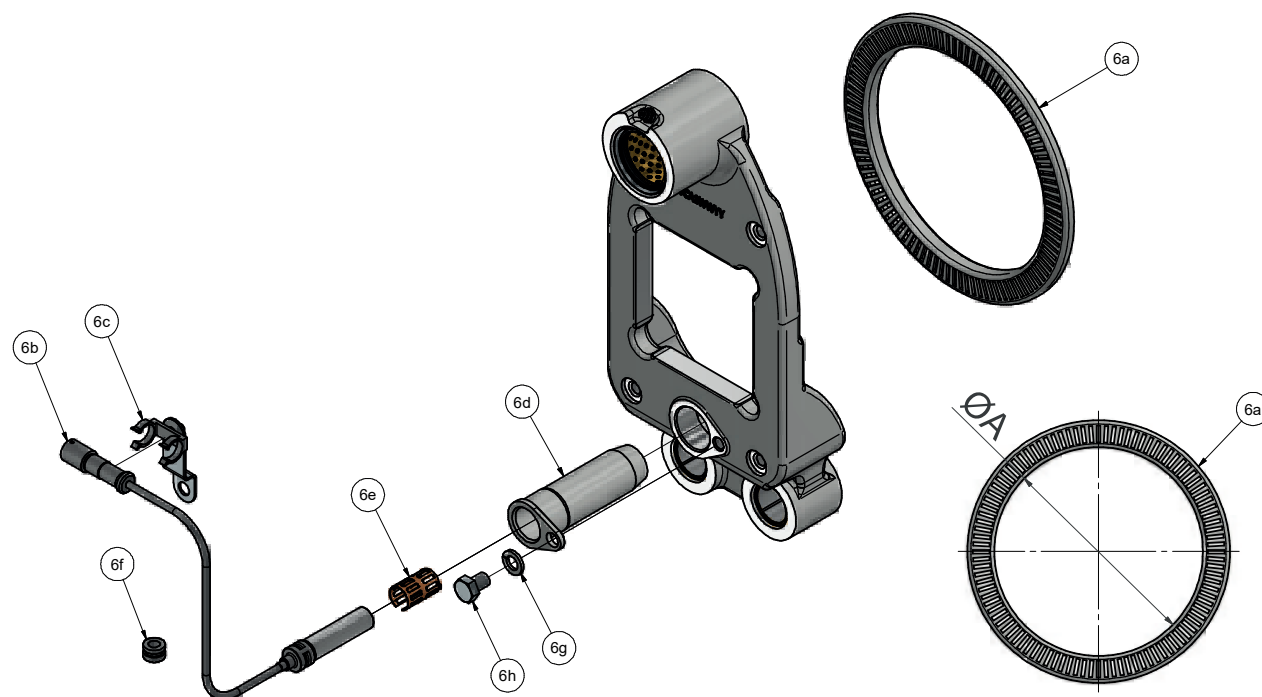


Brake	Hub type	Item	Description	Code	A	Qty	Kit code
406I	671 - 672 - 675	4a	Phonic wheel 80 teeth	S739104	152	1	OSA0VA01
		4b	Sensor	S73A16	-	1	
		4c	Cable support	S73A13	-	1	
		4d	Sensor support	S773183003	-	1	
		4e	Cage	S73A09	-	1	
		4f	Fairlead	S73A01	-	1	
	880 - 888	4a	Phonic wheel 80 teeth	S739104	152	1	OSA0VA02
		4b	Sensor	S73A16	-	1	
		4c	Cable support	S73A13	-	1	
		4d	Sensor support	S773183003	-	1	
		4e	Cage	S73A09	-	1	
		4f	Fairlead	S73A01	-	1	
	898	4a	Phonic wheel 100 teeth	S739107	170	1	OSA0VA03
		4b	Sensor	S73A16	-	1	
		4c	Cable support	S73A13	-	1	
		4d	Sensor support	S773183003	-	1	
		4e	Cage	S73A09	-	1	
		4f	Fairlead	S73A01	-	1	
	899	4a	Phonic wheel 80 teeth	S739104	152	1	OSA0VA04
		4b	Sensor	S73A16	-	1	
		4c	Cable support	S73A13	-	1	
		4d	Sensor support	S773183003	-	1	
		4e	Cage	S73A09	-	1	
		4f	Fairlead	S73A01	-	1	
991	4a	Phonic wheel 100 teeth	S739107	170	1	OSA0VA05	
	4b	Sensor	S73A16	-	1		
	4c	Cable support	S73A13	-	1		
	4d	Sensor support	S773183003	-	1		
	4e	Cage	S73A09	-	1		
	4f	Fairlead	S73A01	-	1		
994	4a	Phonic wheel 100 teeth	S739107	170	1	OSA0VA06	
	4b	Sensor	S73A16	-	1		
	4c	Cable support	S73A13	-	1		
	4d	Sensor support	S773183003	-	1		
	4e	Cage	S73A09	-	1		
	4f	Fairlead	S73A01	-	1		

406P - 406x140

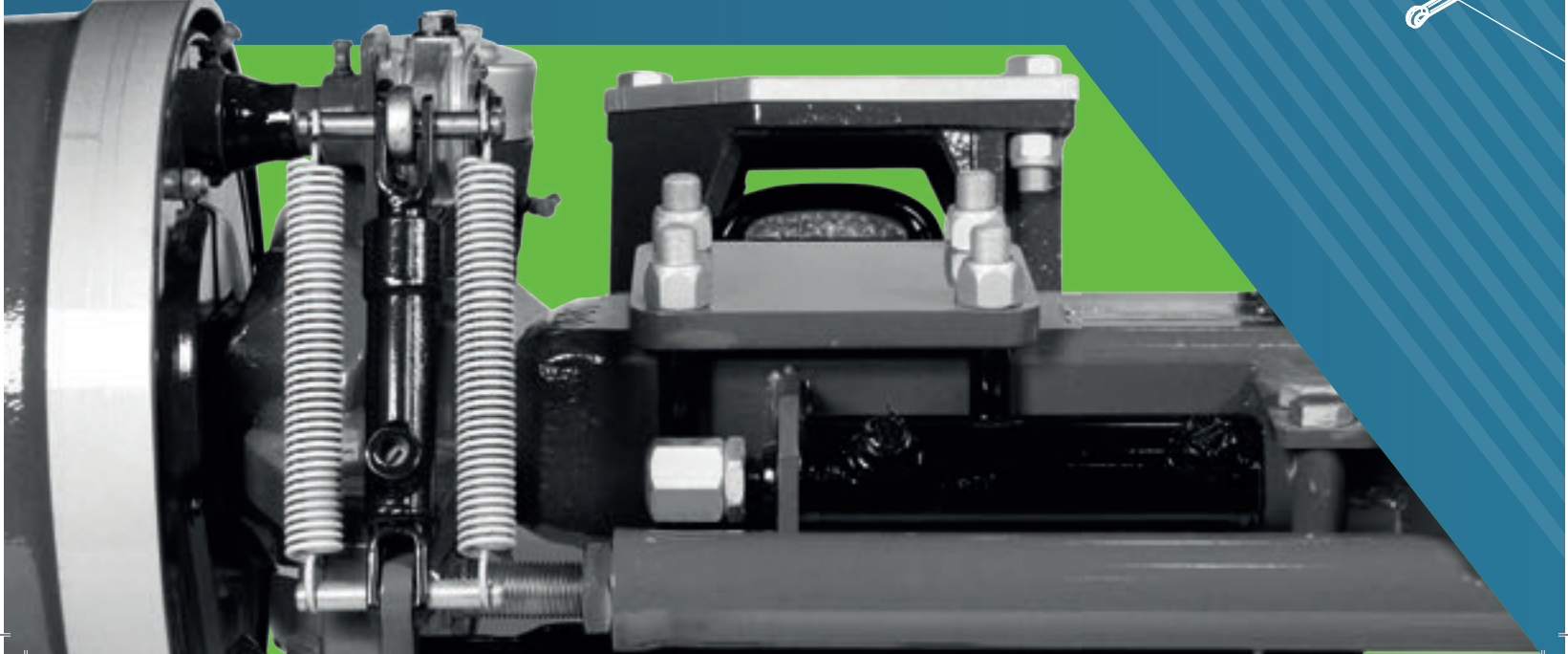


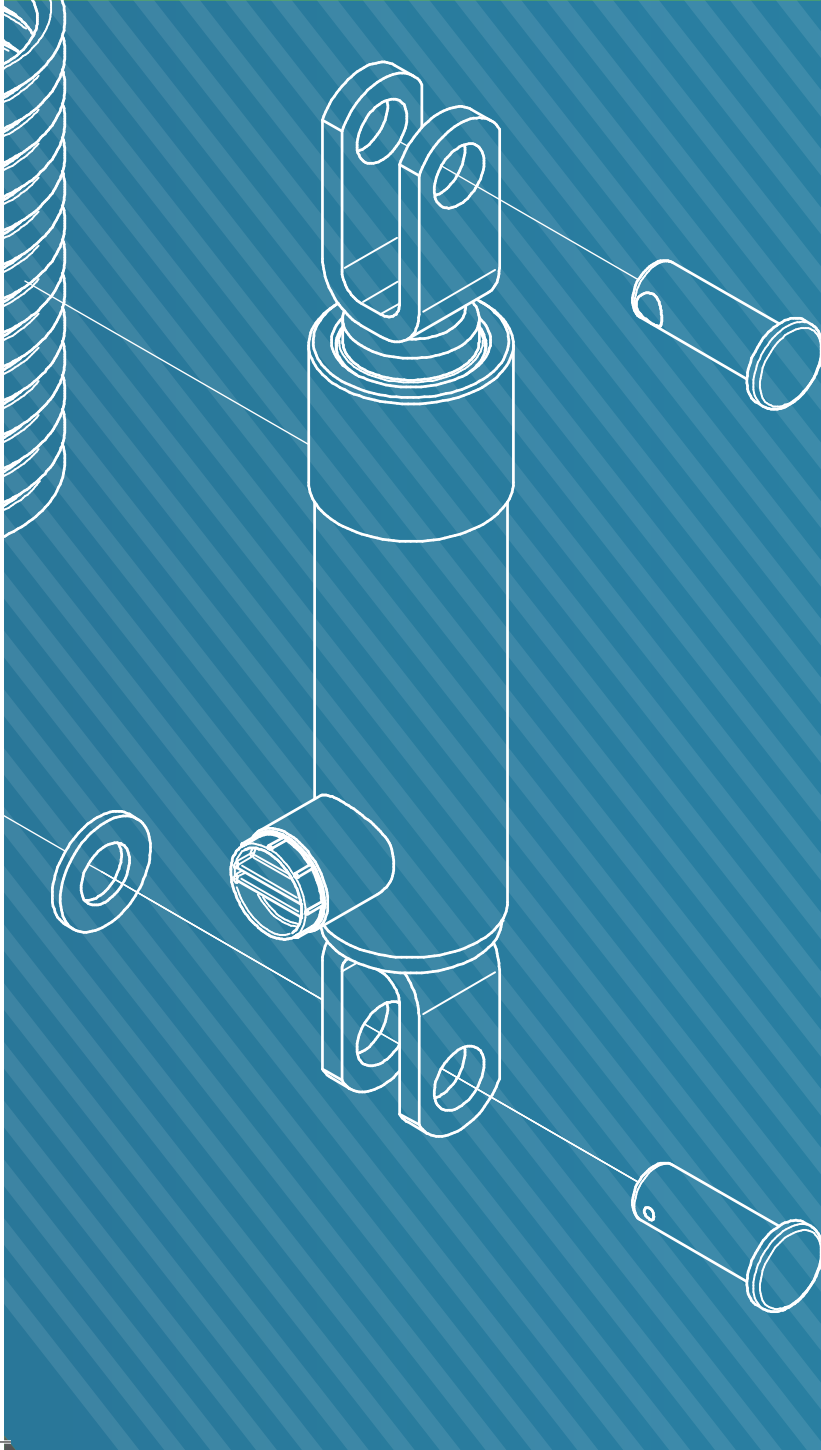
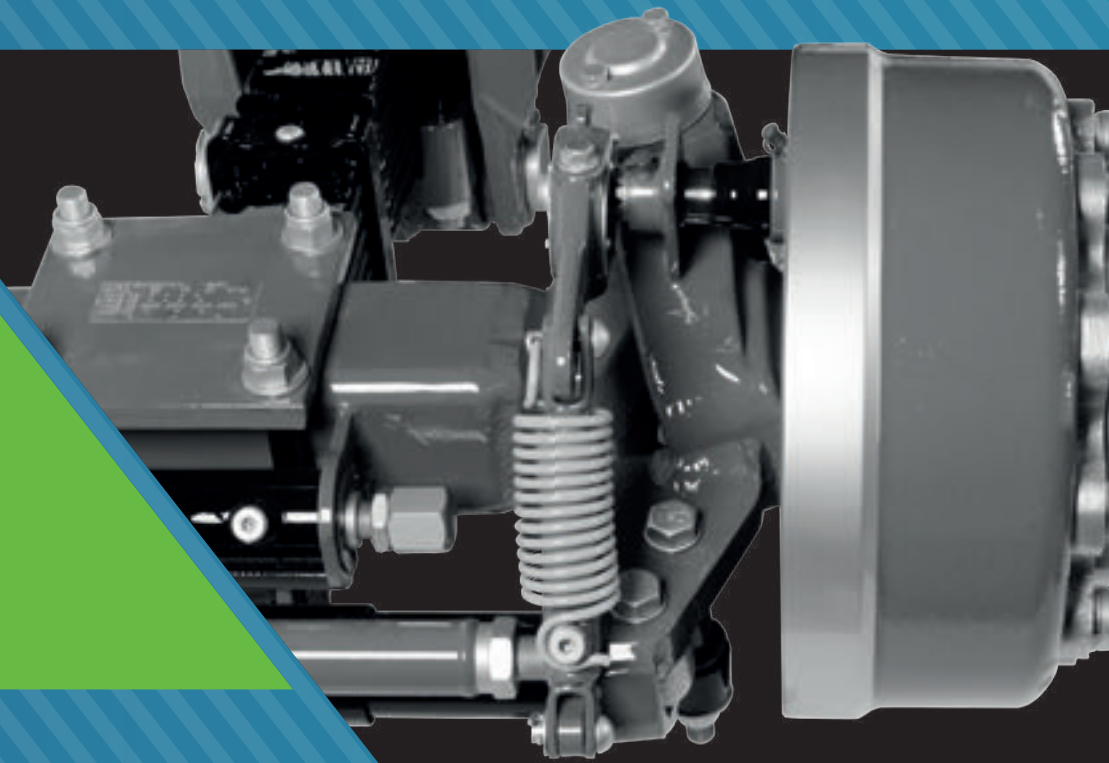
Brake	Hub type	Item	Description	Code	A	Qty	Kit code
406P	898	5a	Phonic wheel 100 teeth	S739107	170	1	OSA0WA01
		5b	Sensor	S73A08	-	1	
		5c	Cable support	S73A13	-	1	
		5d	Sensor support	S773183003	-	1	
		5e	Cage	S73A09	-	1	
		5f	Fairlead	S73A01	-	1	
	899	5a	Phonic wheel 80 teeth	S739104	152	1	OSA0WA02
		5b	Sensor	S73A08	-	1	
		5c	Cable support	S73A13	-	1	
		5d	Sensor support	S773183003	-	1	
		5e	Cage	S73A09	-	1	
		5f	Fairlead	S73A01	-	1	
	991	5a	Phonic wheel 100 teeth	S739107	170	1	OSA0WA03
		5b	Sensor	S73A08	-	1	
		5c	Cable support	S73A13	-	1	
		5d	Sensor support	S773183003	-	1	
		5e	Cage	S73A09	-	1	
		5f	Fairlead	S73A01	-	1	
	994	5a	Phonic wheel 100 teeth	S739107	170	1	OSA0WA04
		5b	Sensor	S73A08	-	1	
		5c	Cable support	S73A13	-	1	
		5d	Sensor support	S773183003	-	1	
		5e	Cage	S73A09	-	1	
		5f	Fairlead	S73A01	-	1	



Brake	Hub type	Item	Description	Code	A	Qty	Kit code
420I	991	6a	Phonic wheel 100 teeth	S739119	170	1	OSA0XC01
		6b	Sensor	S73A08	-	1	
		6c	Cable support	S73A13	-	1	
		6d	Sensor support	S73A59	-	1	
		6e	Cage	S73A09	-	1	
		6f	Fairlead	S73A01	-	1	
		6g	Grower washer M10	S9830101	-	1	
		6h	Screw M10X1,50 L014	S96110B0141	-	1	
	994	6a	Phonic wheel 100 teeth	S739119	170	1	OSA0XC02
		6b	Sensor	S73A08	-	1	
		6c	Cable support	S73A13	-	1	
		6d	Sensor support	S73A59	-	1	
		6e	Cage	S73A09	-	1	
		6f	Fairlead	S73A01	-	1	
		6g	Grower washer M10	S9830101	-	1	
		6h	Screw M10X1,50 L014	S96110B0141	-	1	

TVZ

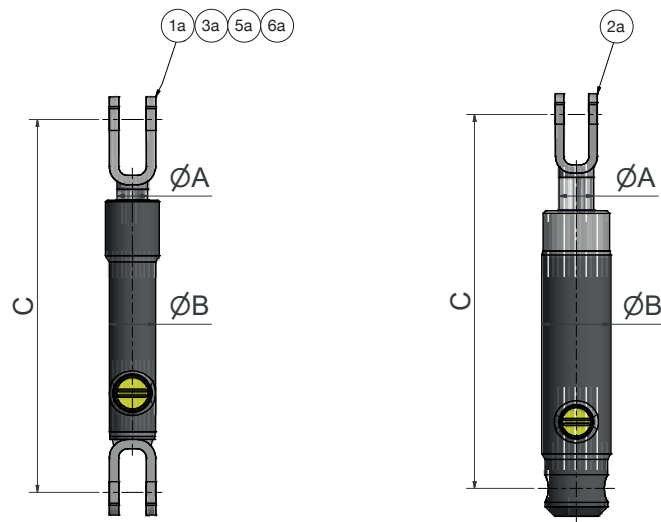




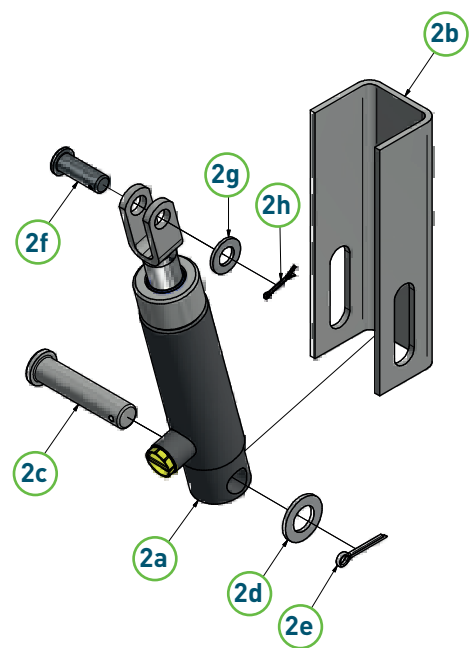
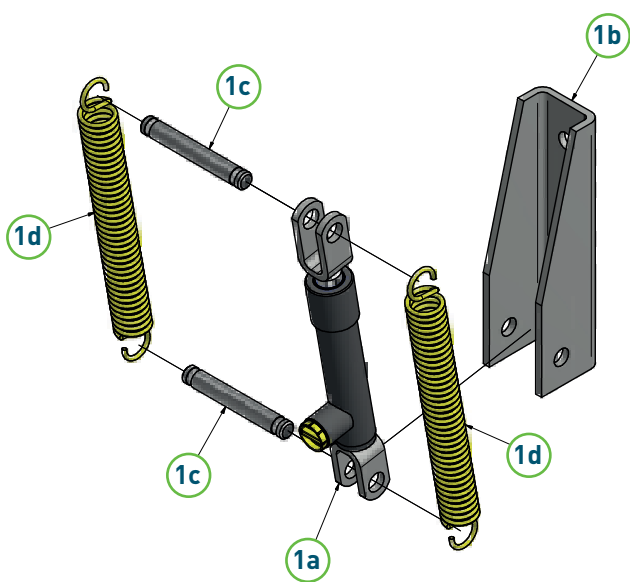
CILINDRI FRENO

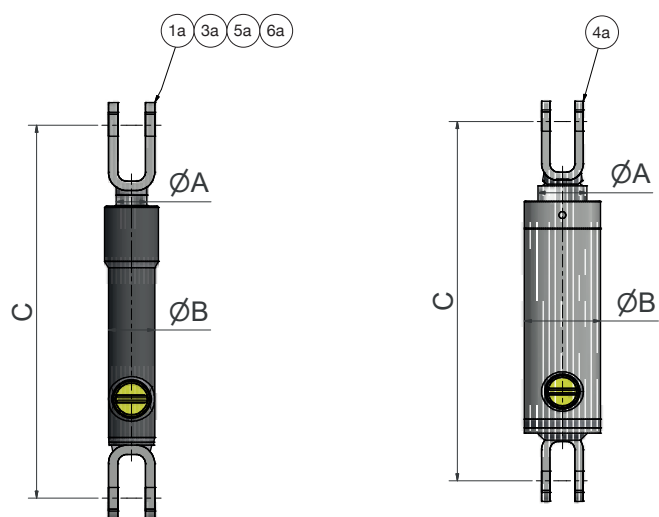
Brake cylinders

Fixed axles

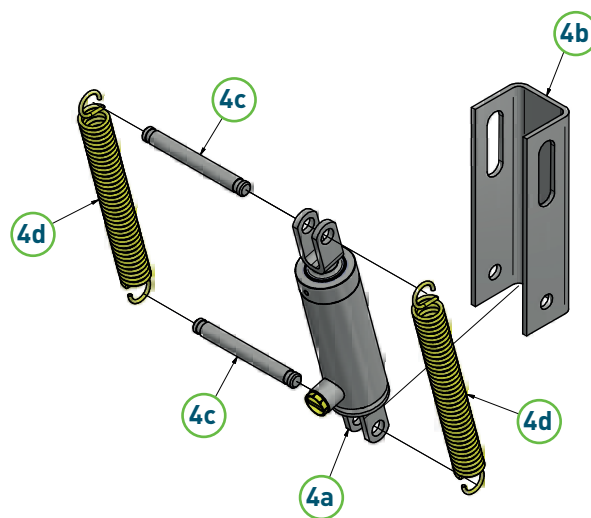
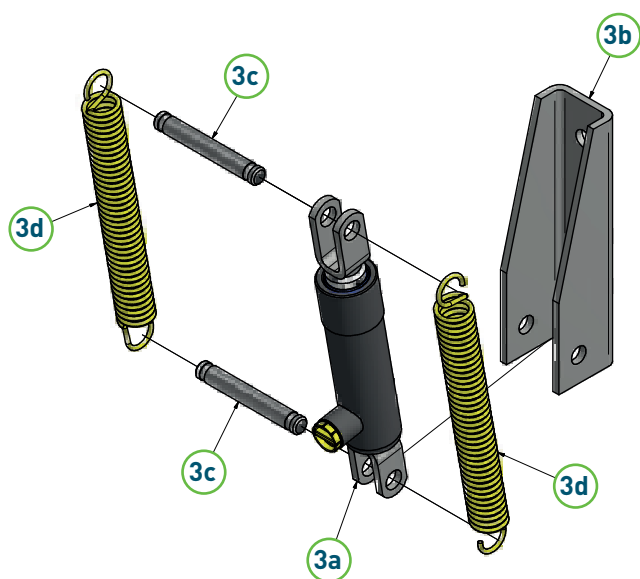


Cylinders	Item	Description	Code	A	B	C	Q.ty	Kit code
Cylinder Ø20	1a	Cylinder Ø025/020 S108	813205	20	30	243	1	813115
	1b	Support for cylinder	813501	-	-	-	1	
	1c	Pin Ø14 L101	813401	-	-	-	2	
	1d	Spring Ø3,5 L185	738301	-	-	-	2	
Cylinder Ø25	2a	Cylinder Ø043/025 S085	S813201	25	50	270	1	S813107
	2b	Support for cylinder	S813505	-	-	-	1	
	2c	Pin Ø19 L085	S813406	-	-	-	1	
	2d	Washer M20	S9812002	-	-	-	1	
	2e	Split pin 3,5X30	S58110	-	-	-	1	
	2f	Pin Ø14 L040	S813405	-	-	-	1	
	2g	Washer M14	S9811501	-	-	-	1	
	2h	Split pin 2,5X25	S58109	-	-	-	1	

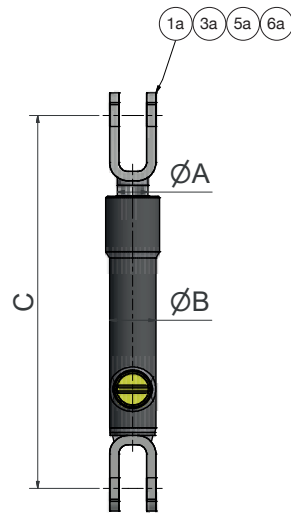




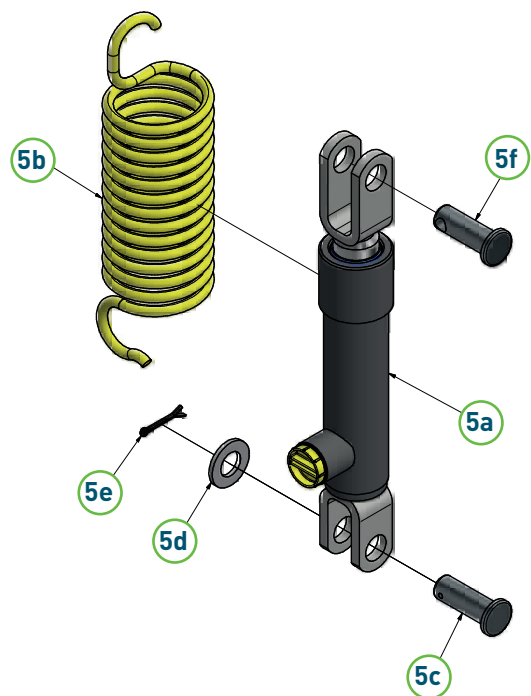
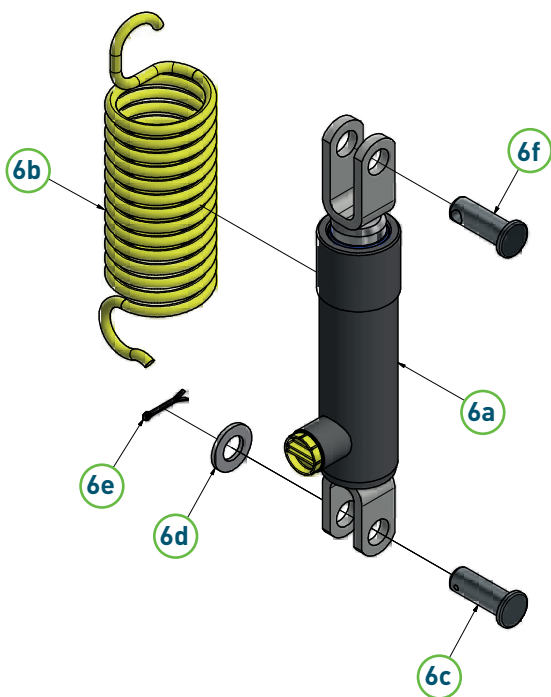
Cylinders	Item	Description	Code	A	B	C	Q.ty	Kit code
Cylinder Ø30	3a	Cylinder Ø037/030 S110	S813202	30	42,4	243	1	S813101
	3b	Support for cylinder	S813501	-	-	-	1	
	3c	Pin Ø14 L101	S813401	-	-	-	2	
	3d	Spring Ø3,5 L185	S738301	-	-	-	2	
Cylinder Ø35	4a	Cylinder Ø045/035 S110	S813204	35	55	250	1	S813120
	4b	Support for cylinder	S813511	-	-	-	1	
	4c	Pin Ø14 L125	S813408	-	-	-	2	
	4d	Spring Ø3,5 L185	S738301	-	-	-	2	

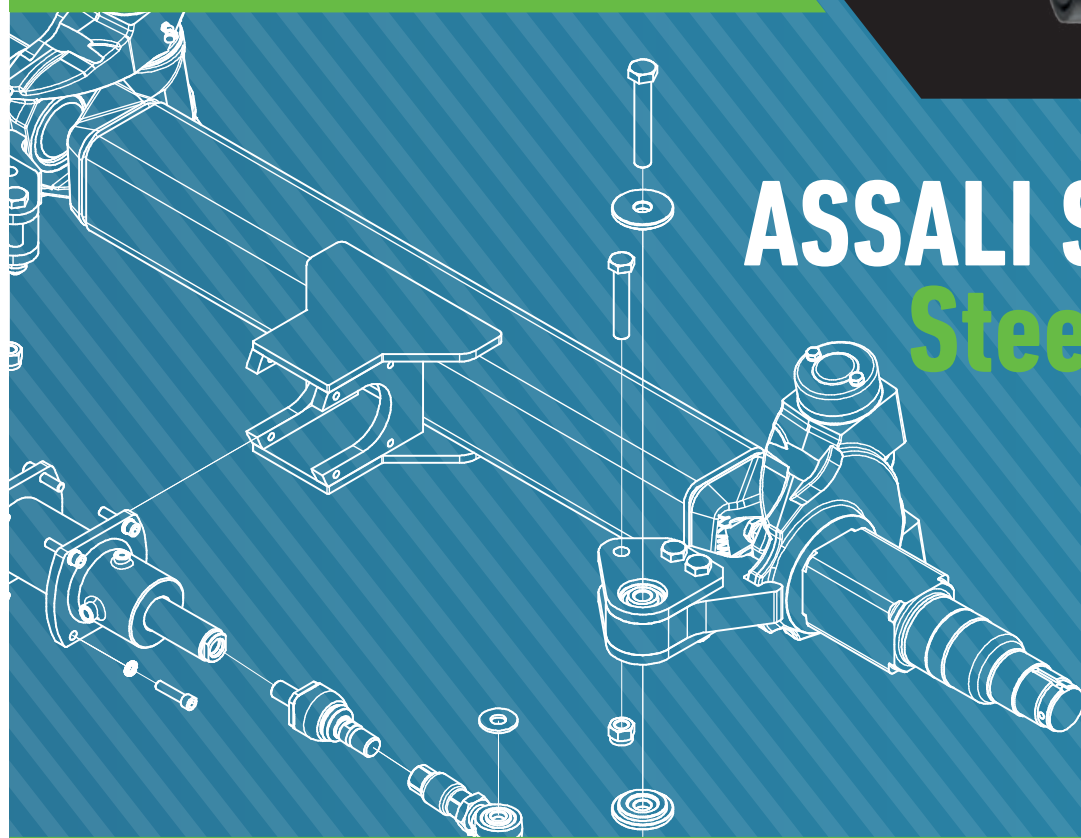
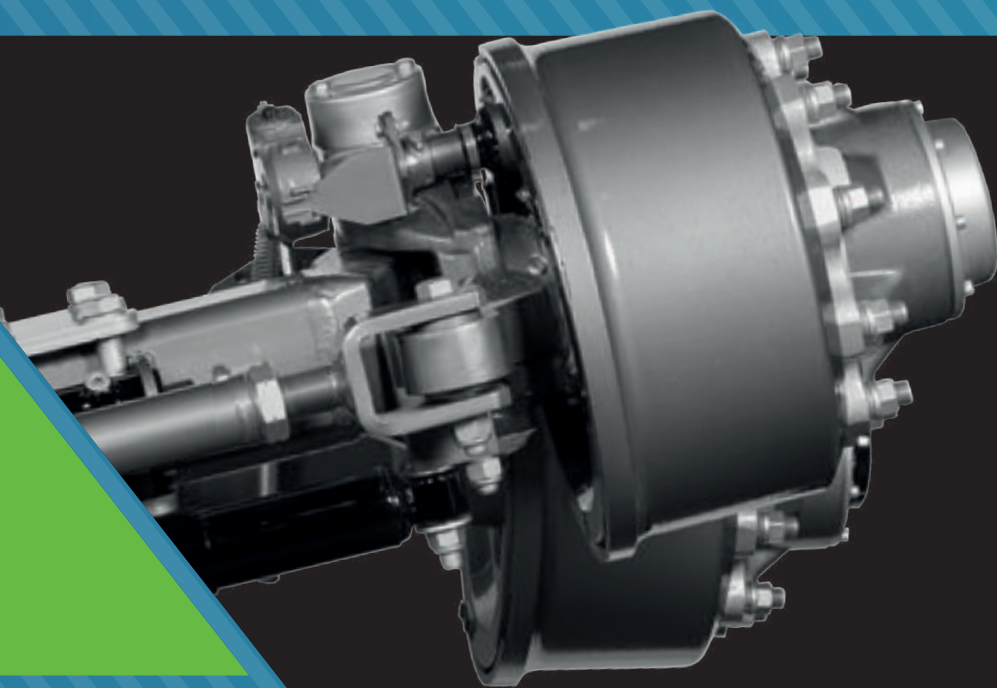


Steering axles



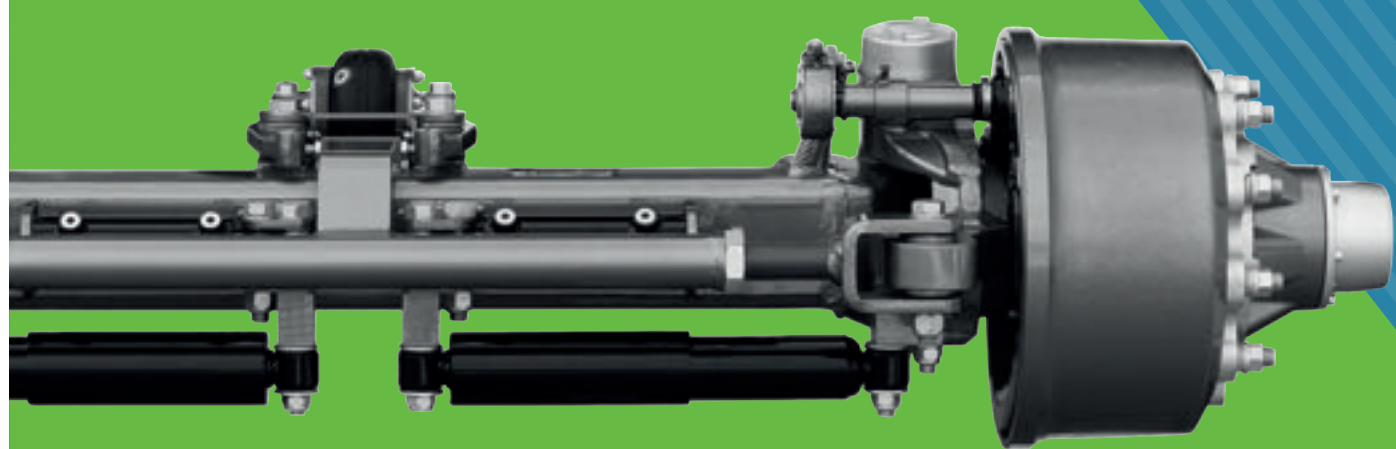
Cylinders	Item	Description	Code	A	B	C	Q.ty	Kit code
Cylinder Ø25	5a	Cylinder Ø030/025 S110	S813203	25	35	243	1	S813104
	5b	Spring Ø6 L147	S738302	-	-	-	1	
	5c	Pin Ø14 L040	S813405	-	-	-	1	
	5d	Washer M14	S9811501	-	-	-	1	
	5e	Split pin 2,5X25	S58109	-	-	-	1	
	5f	Pin Ø14 L040	S813407	-	-	-	1	
Cylinder Ø30	6a	Cylinder Ø037/030 S110	S813202	30	42,4	243	1	S813102
	6b	Spring Ø6 L147	S738302	-	-	-	1	
	6c	Pin Ø14 L040	S813405	-	-	-	1	
	6d	Washer M14	S9811501	-	-	-	1	
	6e	Split pin 2,5X25	S58109	-	-	-	1	
	6f	Pin Ø14 L040	S813407	-	-	-	1	



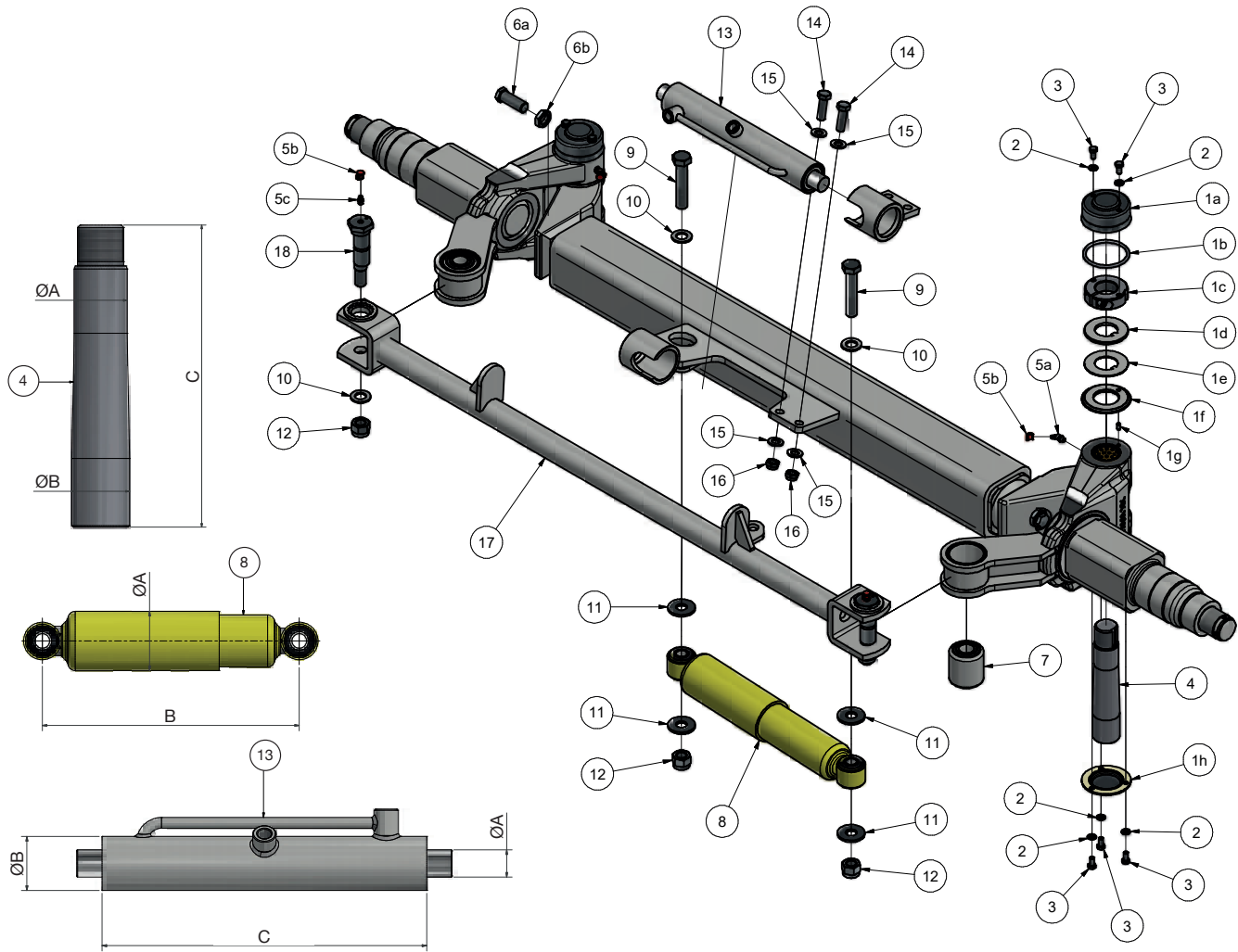


ASSALI STERZANTI

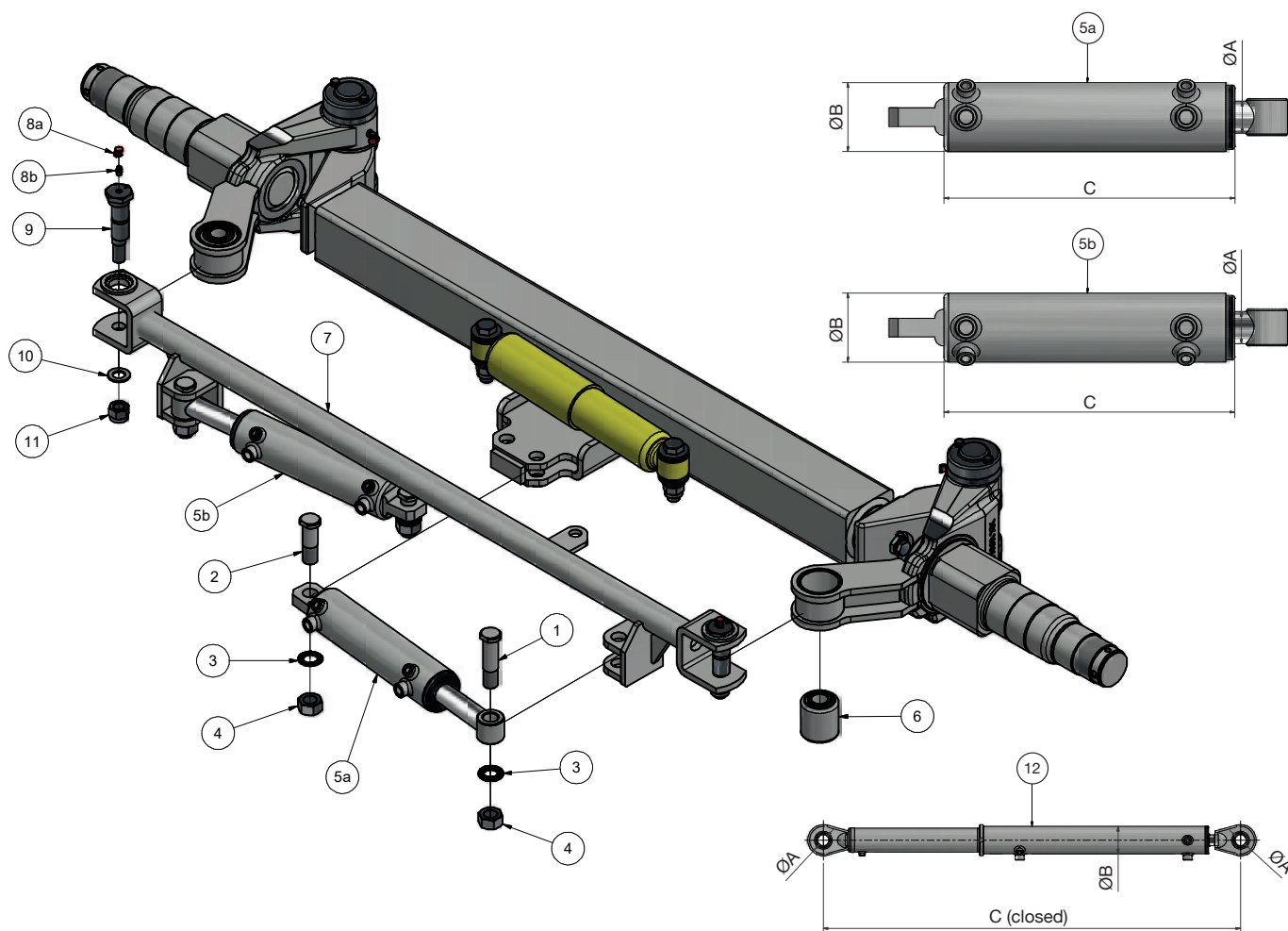
Steering axles



SQL - Self steering

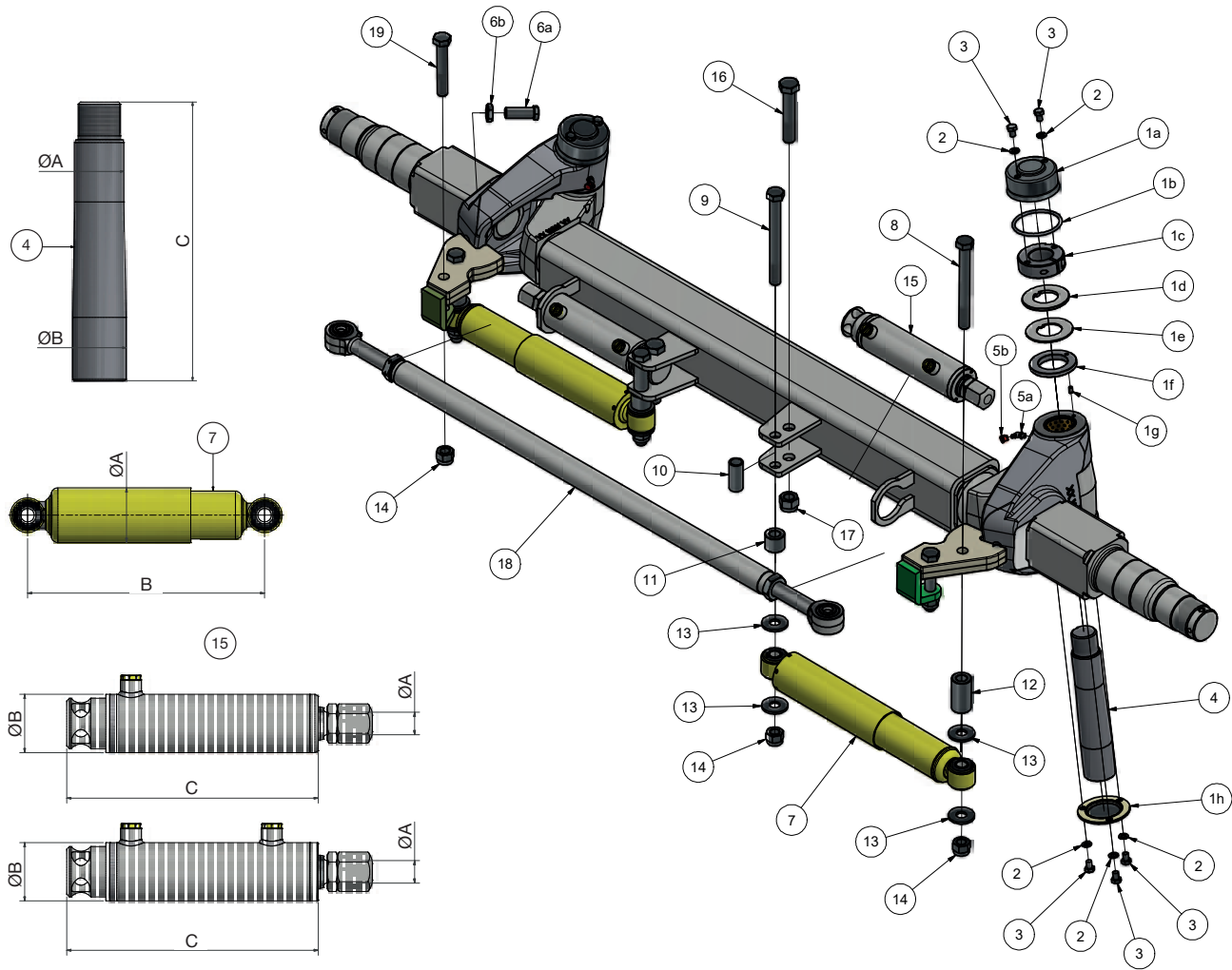


Self steering axle	Item	Description	Code	A	B	C	Qty	Kit code
SQL	1	Set for ring-nut SQL	S80Z108	-	-	-	1	OSSLA101
	2	Washer M08	S9810081	-	-	-	5	
	3	Screw M08X1,25 L016	S96108A0161	-	-	-	5	
	4	Pivot	S83205002	45	50	248	1	
	5a	Grease nipple 45° M08X1,25	S98608A2	-	-	-	2	
	5b	Cap for grease nipple	S986081C	-	-	-	2	
	6	Special bolt kit M20X1,5	S96820B0531	-	-	-	1	S96820B0531
	7	Silent block D063 L072 H028	S8226302	-	-	-	1	S8226302
	8	Shock absorber double acting	S8218001	82	356 / 555	-	1	S8218001
	9	Screw M20X2,50 L100	S96120E1001	-	-	-	2	OSSLA103
	10	Washer M20	S9812002	-	-	-	2	
	11	Washer Ø20	S9812001	-	-	-	4	
	12	Self locking nut M20X2.50	S97420E1	-	-	-	2	
	13	Double effect cylinder	S811C060	30	60	360	1	S811C060
	14	Screw M14X2.00 L045	S96114D0451	-	-	-	2	OSSLA104
	15	Washer M14	S9811501	-	-	-	4	
	16	Self locking nut M14X2.00	S97514D1	-	-	-	2	
	17	Steering bar L****	S80SL****	-	-	-	1	OSSLA**
5b	Cap for grease nipple	S986081C	-	-	-	2		
5c	Grease nipple straight M08X1,25	S98608A1	-	-	-	2		
18	Eccentric pin	S8420001	-	-	-	2		
10	Washer M20	S9812002	-	-	-	2		
12	Self locking nut M20X2.50	S57920B1	-	-	-	2		

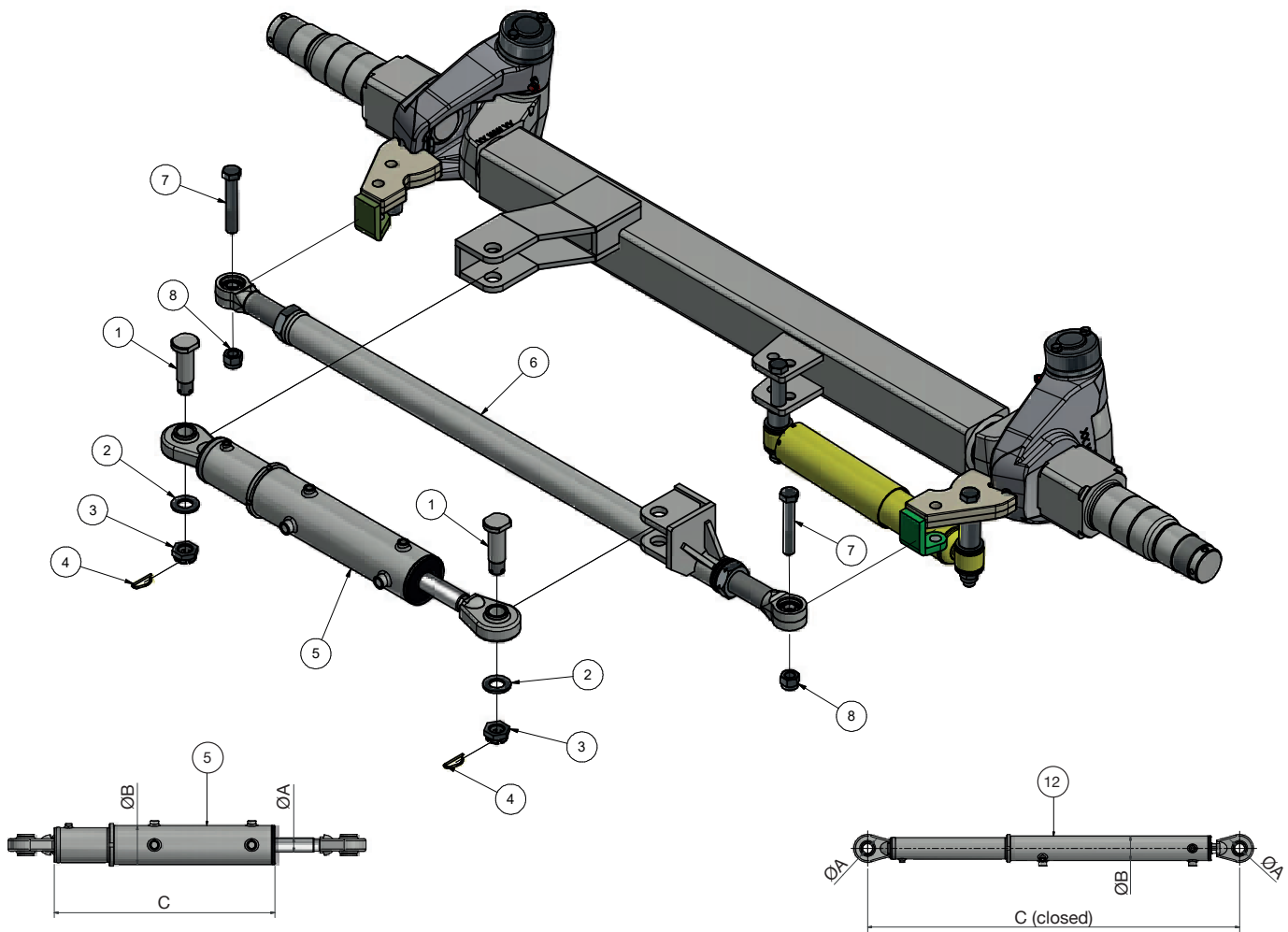


Forced steering axle	Item	Description	Code	A	B	C	Qty	Kit code
SQL	1	Pin Ø25X97 for steering bar	S907N005	-	-	-	1	O5SLF101
	2	Pin Ø25X77 for central support	S907N004	-	-	-	1	
	3	Twin washer M24	S9800241	-	-	-	2	
	4	Nut M24X1,5	S97124B1	-	-	-	2	
	5a	Cylinder double effect right	S917D002D	35	75	317	1	S917D002D
	5b	Cylinder double effect left	S917D002S	35	75	317	1	S917D002S
	6	Silent block D063 L072 H028	S8226302	-	-	-	1	S8226302
	7	Steering bar L****	S80SL****	-	-	-	1	O5SLF1**
	8a	Cap for grease nipple	S986081C	-	-	-	2	
	8b	Grease nipple straight M08X1,25	S98608A1	-	-	-	2	
	9	Eccentric pin	S8420001	-	-	-	2	
	10	Washer M20	S9812002	-	-	-	2	
11	Self locking nut M20X2.50	S97420E1	-	-	-	2		
	12	Cylinder double effect	S917D003	30	75	1137	1	S917D003

SQR - Self steering

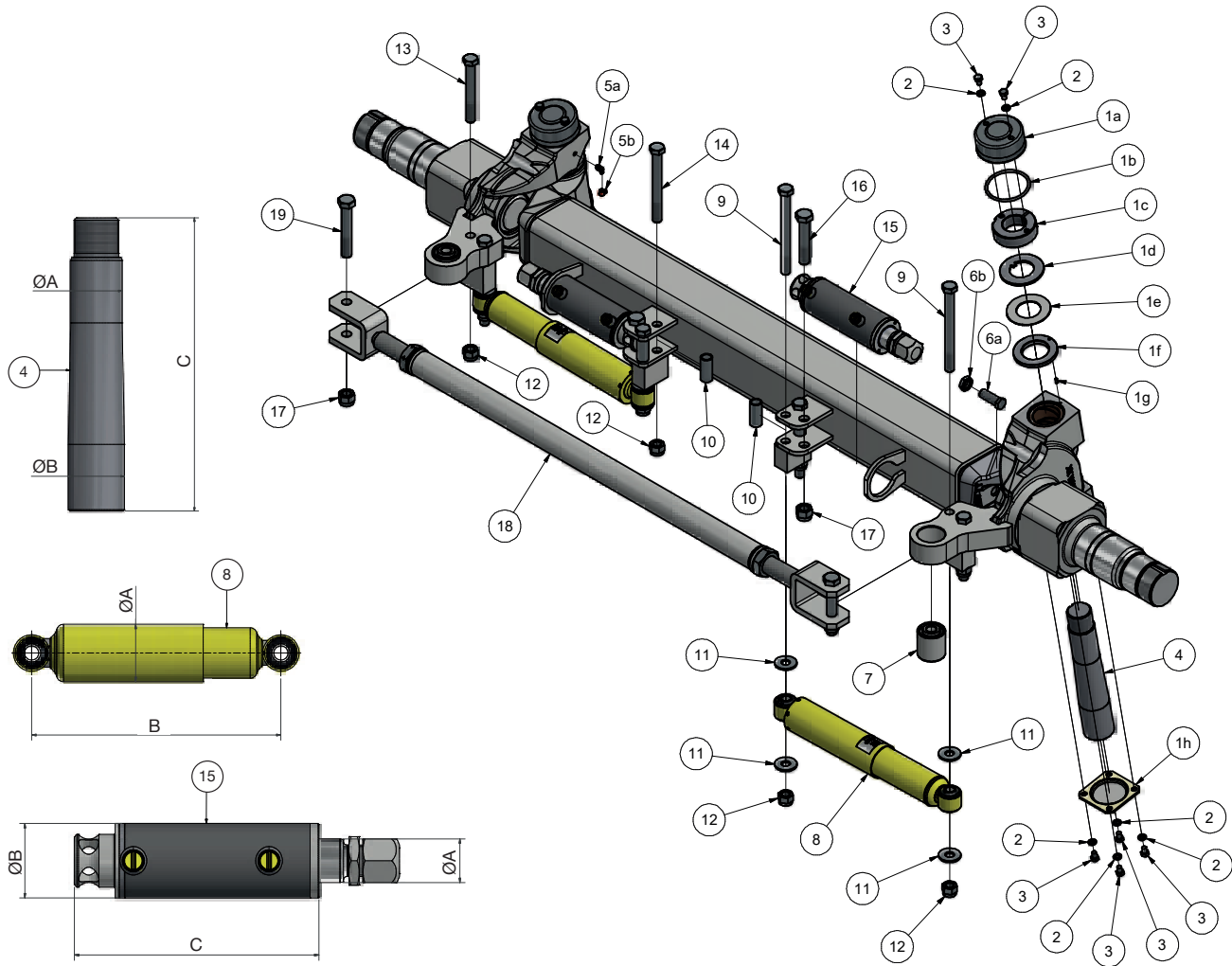


Self steering axle	Item	Description	Code	A	B	C	Qty	Kit code
SQR	1	Set for ring-nut SQR	S80Z107	-	-	-	1	OSSQA101
	2	Washer M10	S9830101	-	-	-	5	
	3	Screw M10X1,50 L014	S96110B0141	-	-	-	5	
	4	Pivot	S83206002	55	60	314	1	
	5a	Grease nipple 45° M08X1,25	S98608A2	-	-	-	2	
	5b	Cap for grease nipple	S986081C	-	-	-	2	
	6	Special bolt kit M20X1,5	S96820B0531	-	-	-	1	S96820B0531
	7	Shock absorber double acting	S8218301	80	396 / 637	-	1	S8218301
	8	Screw M20X2,50 L190	S96120E1901	-	-	-	1	OSSQA102
	9	Screw M20X2,50 L200	S96120E2001	-	-	-	1	
	10	Spacer L060	S9850211	-	-	-	1	
	11	Spacer L032	S9850201	-	-	-	1	
	12	Spacer L070	S9850202T	-	-	-	1	
	13	Washer Ø20	S9812001	-	-	-	4	
	14	Self locking nut M20X2.50	S97420E1	-	-	-	2	
	15	Hydraulic cylinder single effect	S8116010001	40	70	302	1	S8116010001
	15	Hydraulic cylinder double effect	S8126010002	40	70	302	1	S8126010002
	16	Screw M22X2,50 L120	S96122F1201	-	-	-	1	OSSM2201
	17	Self locking nut M22X2,50	S97422F1	-	-	-	1	
	18	Steering bar L****	S80B0**	-	-	-	1	S80B0**
19	Screw M20X2,50 L120	S96120E1201	-	-	-	2	OSSM2001	
14	Self locking nut M20X2.50	S97420E1	-	-	-	2		

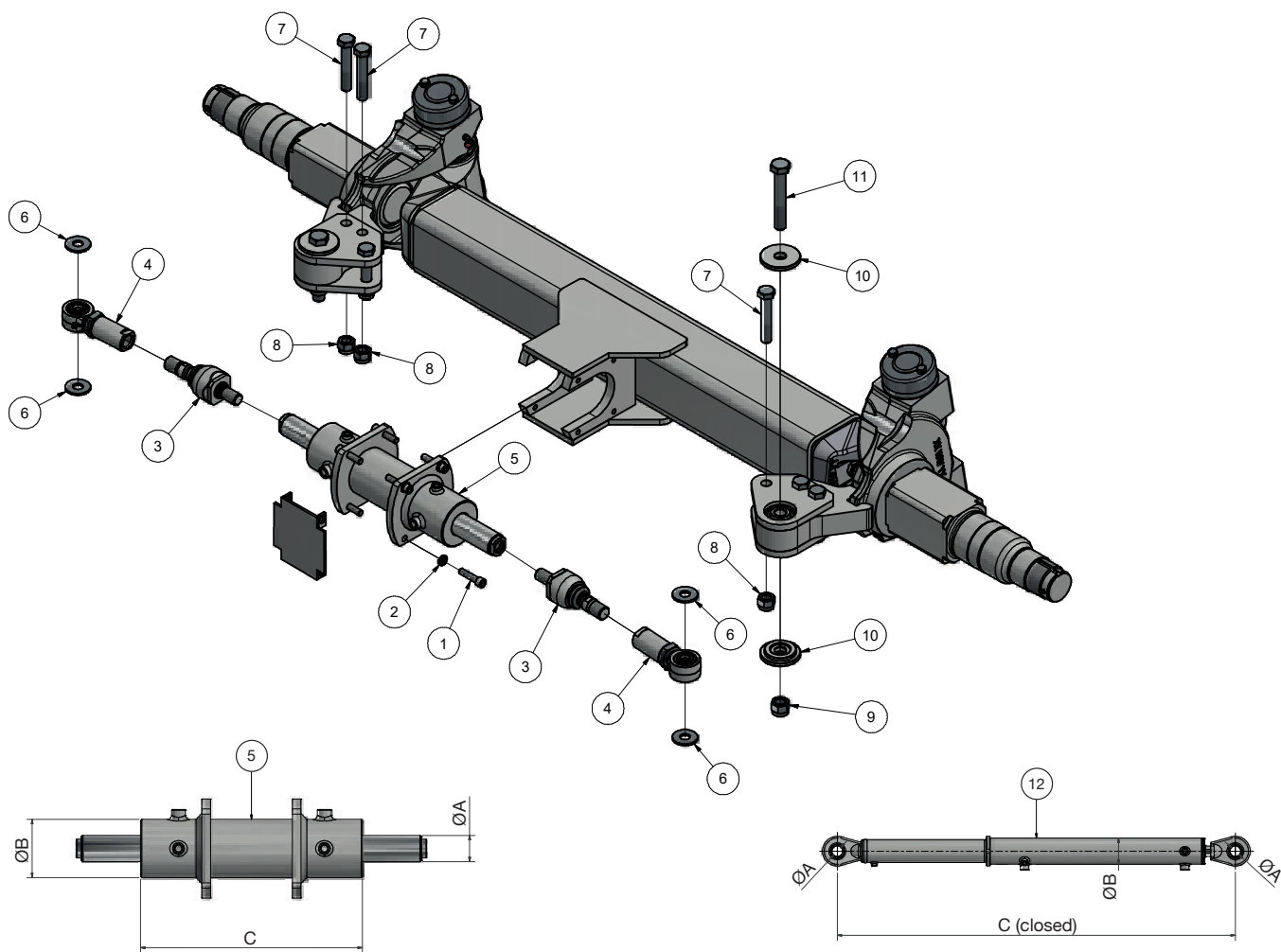


Forced steering axle	Item	Description	Code	A	B	C	Qty	Kit code
SQR	1	Pin Ø30X100 forced steering	S907N011	-	-	-	2	OSSQF101
	2	Washer M27	S9812701	-	-	-	2	
	3	Crown nut M27X1.50	S57527B1	-	-	-	2	
	4	Spring pin	S58204	-	-	-	2	
	5	Cylinder double effect	S917D005	35	95	540	1	S917D005
	6	Steering bar L****	S80B0**	-	-	-	1	OSSQF1**
	7	Screw M20X2,50 L120	S96120E1201	-	-	-	2	
	8	Self locking nut M20X2.50	S97420E1	-	-	-	2	
		12	Cylinder double effect	S917D003	30	75	1137	1

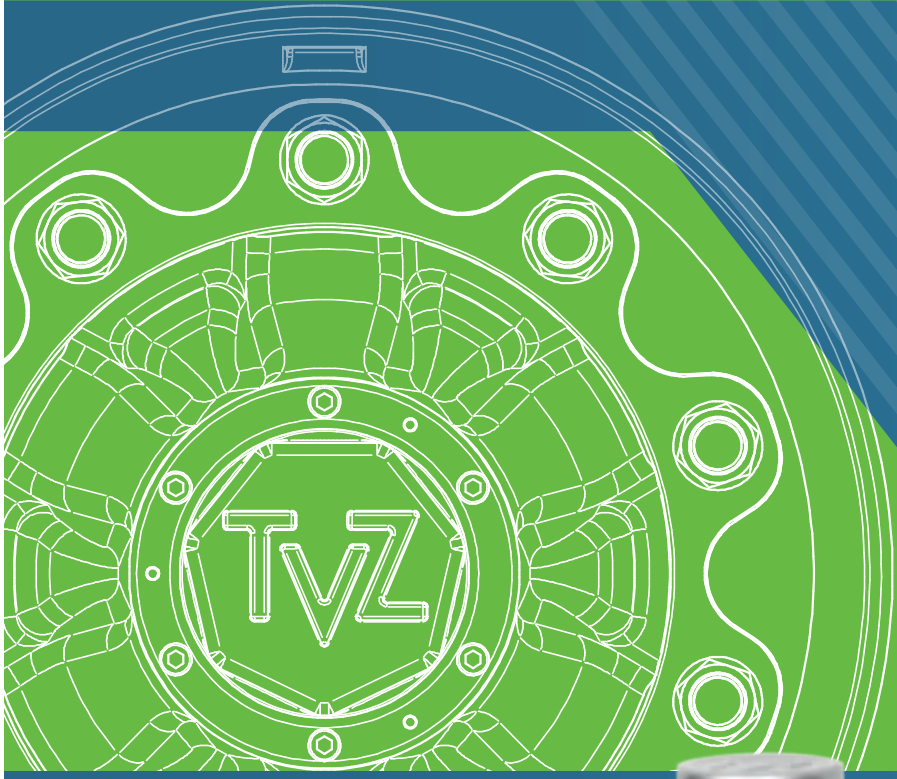
SQS - Self steering



Self steering axle	Item	Description	Code	A	B	C	Qty	Kit code
SQS	1	Set for ring-nut SQS	S80Z109	-	-	-	1	O5SSA101
	2	Washer M10	S9830101	-	-	-	6	
	3	Screw M10X1,50 L014	S96110B0141	-	-	-	6	
	4	Pivot	S83206902	60	69	368	1	
	5a	Grease nipple 45° M08X1,25	S98608A2	-	-	-	2	O5SSI0801
	5b	Cap for grease nipple	S986081C	-	-	-	2	
	6	Special bolt kit M20X1,5	S96820B0531	-	-	-	1	S96820B0531
	7	Silent block D063 L073 H22	S8226301	-	-	-	1	S8226301
	8	Shock absorber double acting	S8218301	80	396 / 637	-	1	S8218301
	9	Screw M20X2,50 L220	S96120E2201	-	-	-	2	O5SSA102
	10	Spacer L060	S9850211	-	-	-	2	
	11	Washer Ø20	S9812001	-	-	-	4	
	12	Self locking nut M20X2,50	S97420E1	-	-	-	4	
	13	Screw M20X2,50 L160	S96120E1601	-	-	-	1	
	14	Screw M20X2,50 L190	S96120E1901	-	-	-	1	
	15	Hydraulic cylinder double effect	S8127010002	50	85	279,5	1	S8127010002
	16	Screw M22X2,50 L120	S96122F1201	-	-	-	1	O5SM2201
	17	Self locking nut M22X2,50	S97422F1	-	-	-	1	
	18	Steering bar L****	S80B2**	-	-	-	1	S80B2**
	19	Screw M22X2,50 L140	S96122F1401	-	-	-	2	O5SM2202
17	Self locking nut M22X2,50	S97422F1	-	-	-	2		



Forced steering axle	Item	Description	Code	A	B	C	Qty	Kit code
SQS	1	Screw M12X1,75 L050	S96312T0501	-	-	-	8	O5SSF101
	2	Twin washer M12	S9800121	-	-	-	8	S9800121
	3	Axial ball joint	S98A28B1	-	-	-	2	S98A28B1
	4	Coupling bar	S80BF**	-	-	-	2	S80BF**
	5	Cylinder double effect threaded rod	S917D007	45	100	380	1	S917D007
	6	Washer Ø20	S9812001	-	-	-	4	S9812001
	7	Screw M20X2,50 L110	S96120E1101	-	-	-	3	O5SM2002
	8	Self locking nut M20X2,50	S97420E1	-	-	-	3	S97420E1
	9	Self locking nut M22X2,50	S97422F1	-	-	-	1	S97422F1
	10	Plug for hinge	S907T057	-	-	-	2	O5SSF102
	11	Screw M22X2,50 L140	S96122F1401	-	-	-	1	S96122F1401
	12	Cylinder double effect	S917D003	30	75	1137	1	S917D003



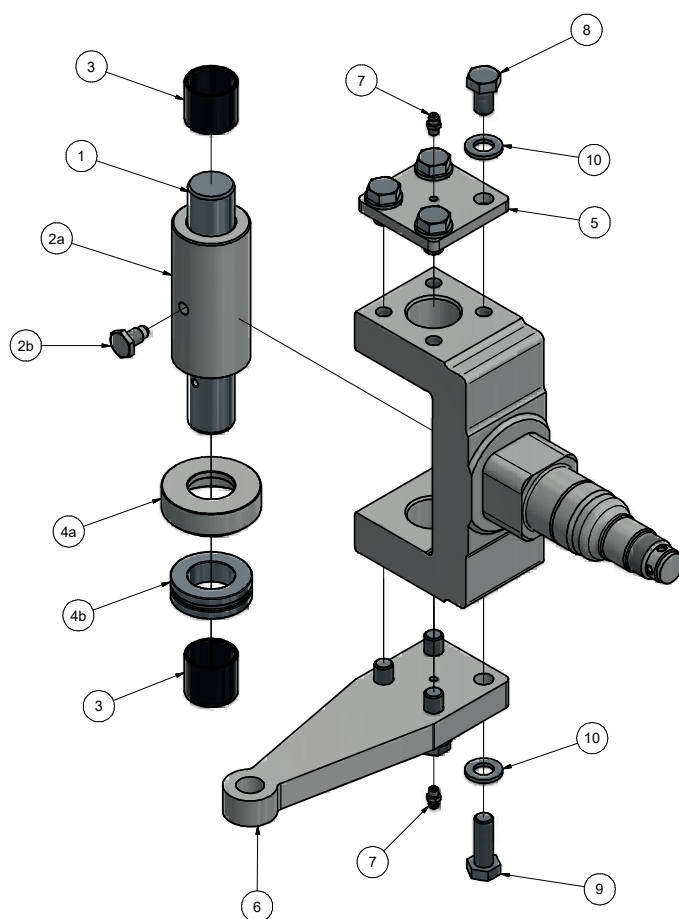


SEMIASSI STERZANTI

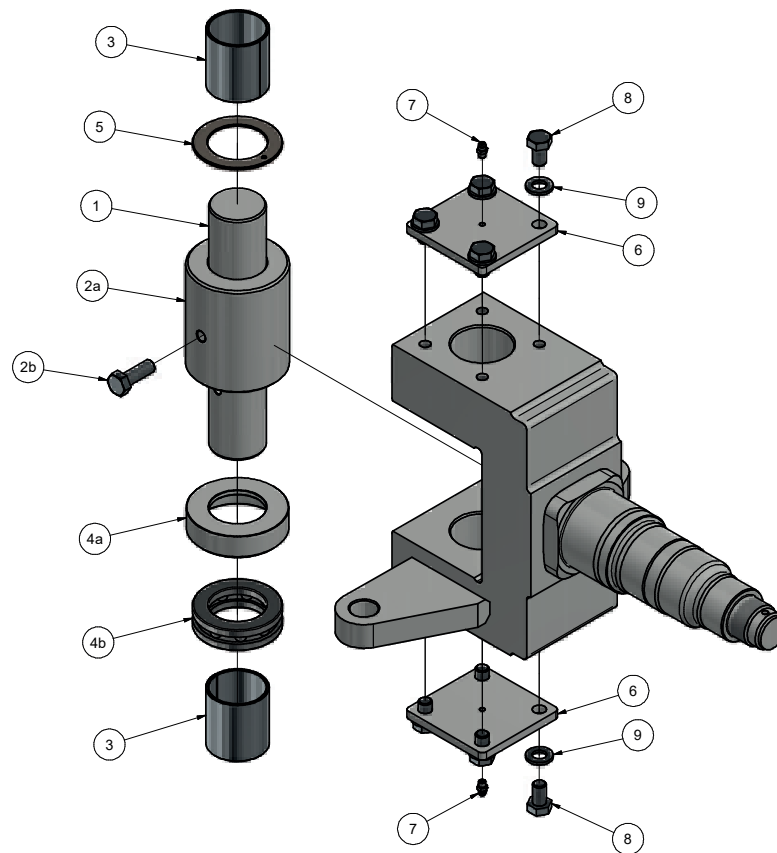
Steering stubaxles



"Y" type

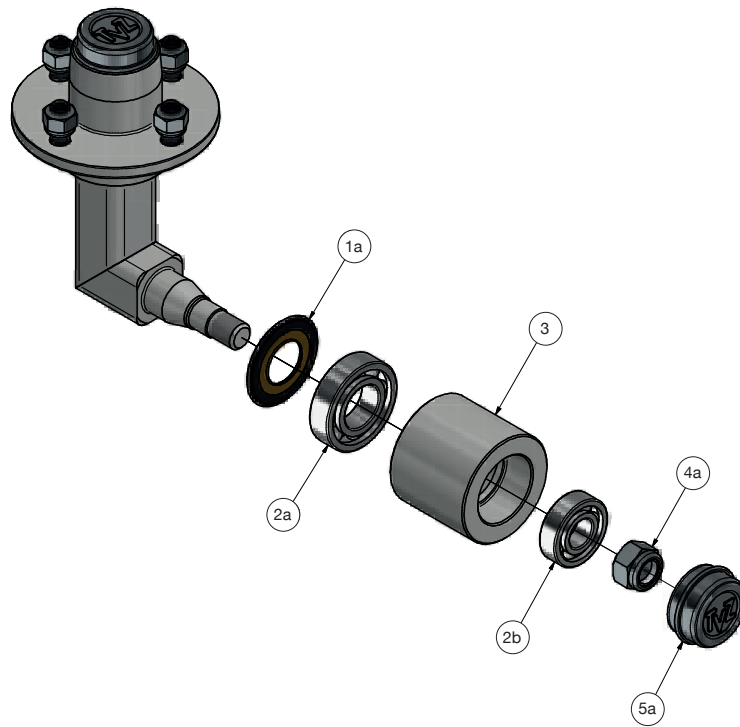


Steering stub axles "Y" type	Item	Description	Code	A	B	C	Qty	Kit code
Light	1	Pin for steering stub axle type Y	S907N007	-	-	-	1	S907N007
	2a	Tube for steering stub axle type Y	S907T012	-	-	-	1	OSYYL101
	2b	Stop screw for steering stub axle type Y	S914V10SP01	-	-	-	1	
	3	Busch for steering stub axle type Y	S907B032	-	-	-	2	S907B032
	4a	Shield for bearing 51206	S907T051	-	-	-	1	OSYYL102
	4b	Bearing 51206 DI30 DE52 H16	S59T51206	-	-	-	1	
	5	Cap for steering stub axle type Y	S907P150	-	-	-	1	S907P150
	6	Lever for steering stub axle type Y D.18	S907P149	-	-	-	1	S907P149
	7	Grease nipple straight M06x1.00	S9860611	-	-	-	1	OSYM1201
	8	Screw M12x20 UNI 5739	S914V12X20	-	-	-	4	
	10	Washer M12 DI13 DE24 TK2.5 UNI 6592	S98112T01	-	-	-	4	
	7	Grease nipple straight M06x1.00	S9860611	-	-	-	1	OSYM1202
9	Screw M12x35 UNI 5739	S914V12X35	-	-	-	4		
10	Washer M12 DI13 DE24 TK2.5 UNI 6592	S98112T01	-	-	-	4		

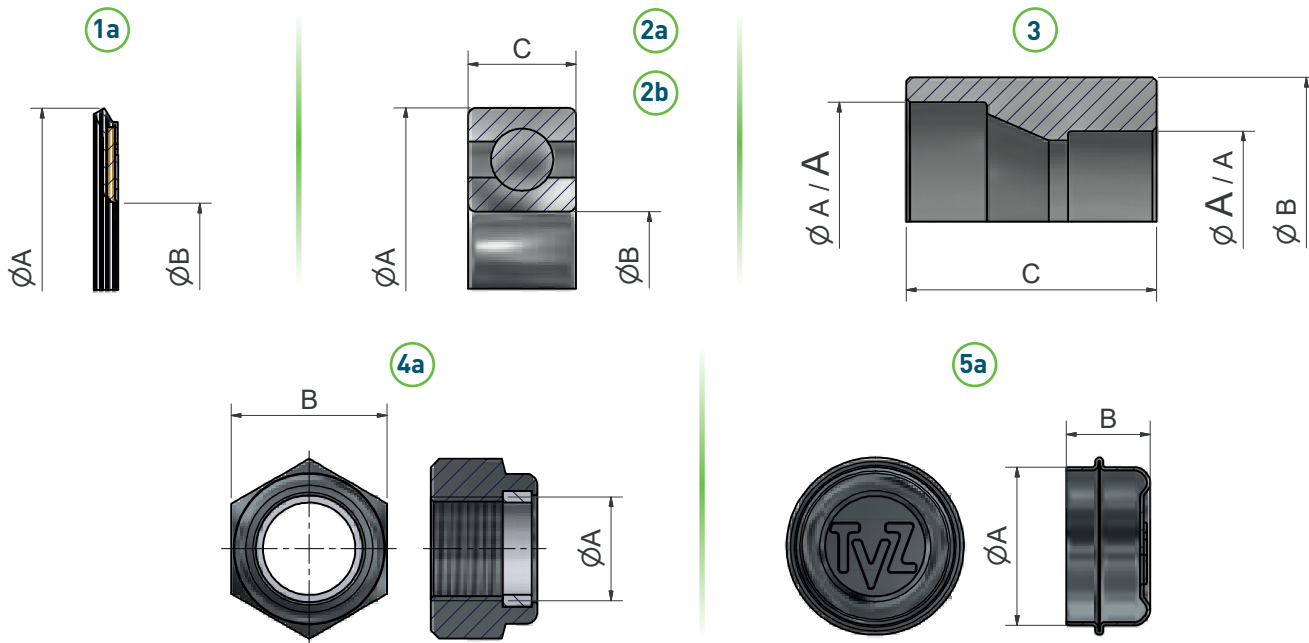


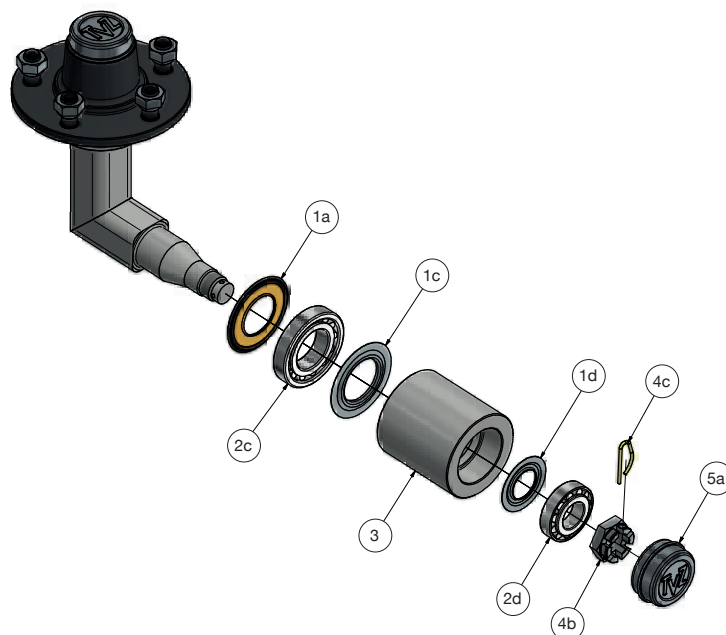
Steering stub axles "Y" type	Item	Description	Code	A	B	C	Qty	Kit code
Strong	1	Pin for steering stub axle type Y strong	S907N015	-	-	-	1	S907N015
	2a	Tube for steering stub axle type Y strong	S907T046	-	-	-	1	OSYYS101
	2b	Stop screw for steering stub axle type Y	S914V12X35	-	-	-	1	
	3	Busch for steering stub axle type Y strong	S907B037	-	-	-	2	S907B037
	4a	Shield for bearing 51210	S907T054	-	-	-	1	OSYYS102
	4b	51210 DI50 DE78 H22	S59T51210	-	-	-	1	
	5	Wascher for axial bearing	S99R002	-	-	-	1	S99R002
	6	Cap for steering stub axle type Y strong	S907P367	-	-	-	2	S907P367
	7	Grease nipple straight M06x1.00	S9860611	-	-	-	1	OSYM1201
	8	Screw M12x20 UNI 5739	S914V12X20	-	-	-	4	
9	Washer M12 DI13 DE24 TK2.5 UNI 6592	S98112T01	-	-	-	4		

"L" type

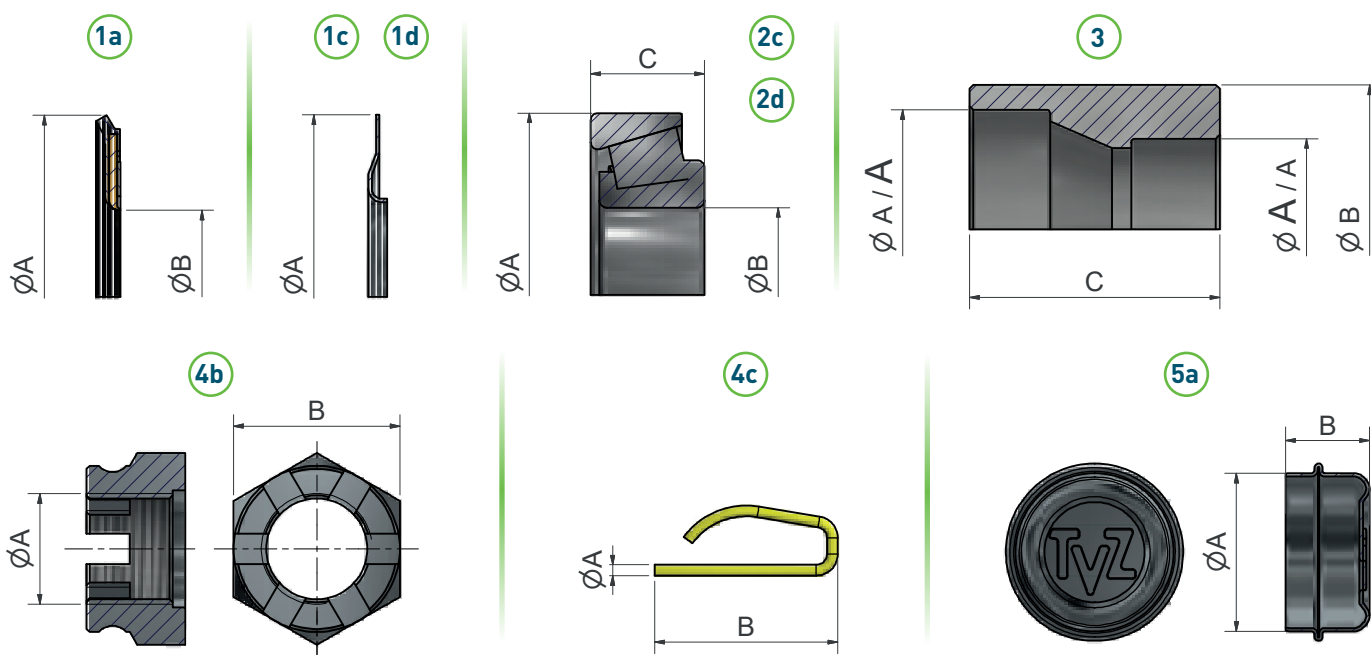


Steering stub axles "L" type	Item	Description	Code	A	B	C	Qty	Kit code
431	1a	Agr. Seal	S5410521	52	25	-	4	OSP41201
			S5410621	62	30	-	4	OSP43101
	2a	Bearing 6205	S5946205-2RS1	52	25	15	2	OSP41202
	2b	Bearing 6204	S5946204-2RS1	47	20	14	2	
	2a	Bearing 6206	S5946206-2RS1	62	30	16	2	OSP43102
	2b	Bearing 6204	S5946204-2RS1	47	20	14	2	
	3	Bush for bearings 6204-6205	S907B001	47 / 52	65	65	1	S907B001
			S907B029	47 / 62	75	65	1	S907B029
	4a	Self locking nut	S57918B1	M18x1,5	27	-	4	OSPD1801
	5a	TVZ cap	S56104705	47	25	-	4	OSPT4701
Neutral cap			S56104702	47	25	-	4	OSPT47A1

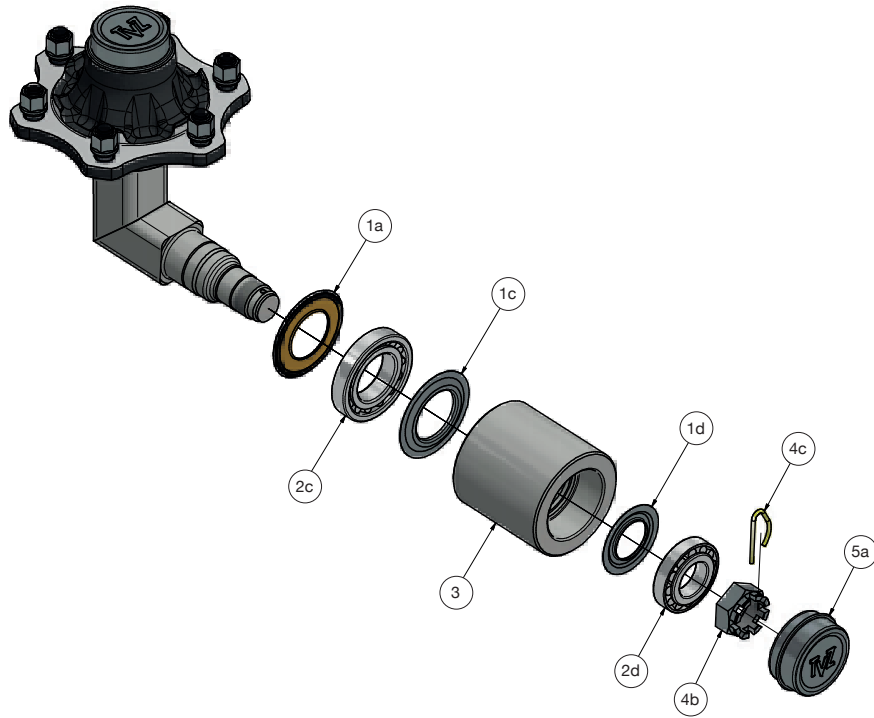




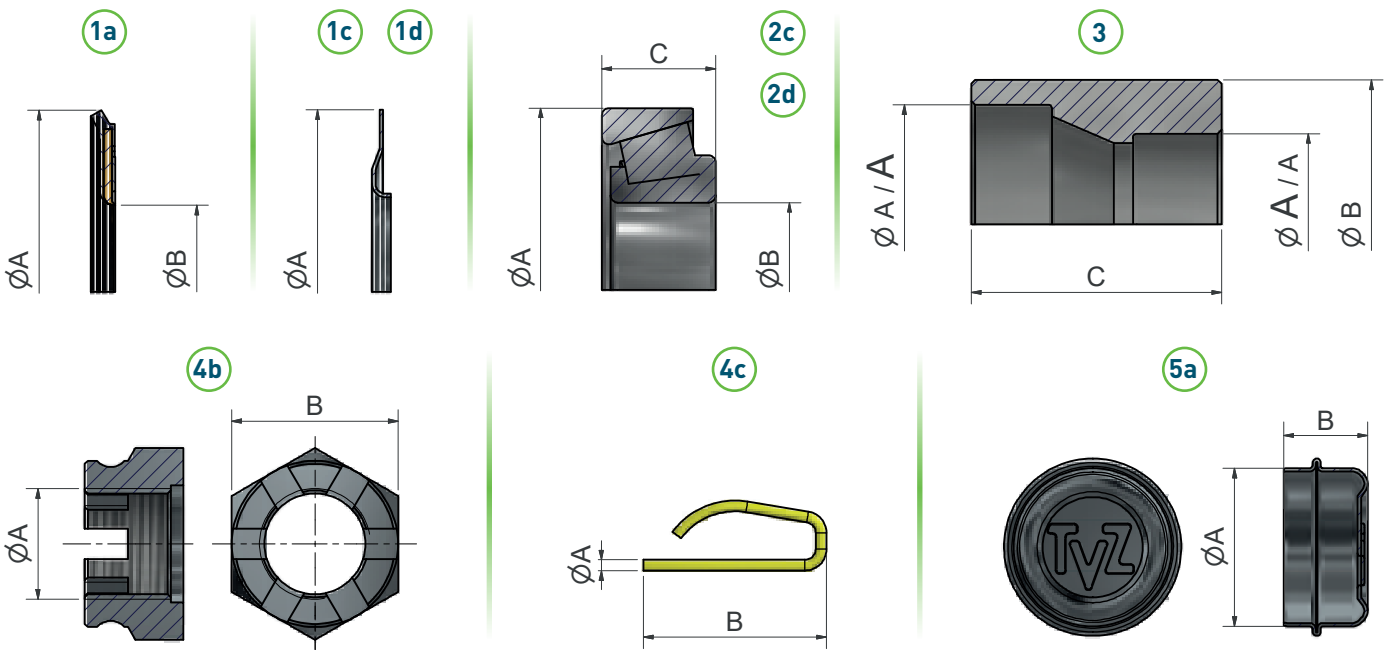
Steering stub axles "L" type	Item	Description	Code	A	B	C	Qty	Kit code	
540	1a	Agr. Seal	S5410851	85	45	-	4	OSP54001	
	1c	Nilos 30209	S5510851	85	-	-	4		
	1d	Nilos 30206	S5510621	62	-	-	4		
	1a	Agr. Seal	S5410851	85	45	-	4	OSP540A1	
	1c	Nilos 30209	S5510851	85	-	-	4		
	1d	Nilos 30207	S5510721	72	-	-	4		
	2c	Bearing 30209	S59130209	85	45	20,75	2	OSP54002	
	2d	Bearing 30206	S59130206	62	30	17,25	2		
	2c	Bearing 30209	S59130209	85	45	20,75	2	OSP540A2	
	2d	Bearing 30207	S59130207	72	35	18,25	2		
	3		Bush for bearings 30206-30209	S907B003	62 / 85	95	100	1	S907B003
			Bush for bearings 30207-30209	S907B017	72 / 85	100	170	1	S907B017
			Bush for bearings 30206-30209	S907B023	62 / 85	95	70	1	S907B023
			Bush for bearings 30207-30209	S907B025	72 / 85	100	170	1	S907B025
	4b	Crown nut	S57527B1	M27x1,5	41	-	4	OSPD2701	
	4c	Spring pin	S58204	3	50	-	4		
4b	Crown nut	S57530B2	M30x1,5	46	-	4	OSPD3001		
4c	Spring pin	S58204	3	50	-	4			
5a		TVZ cap	S56106210	62	31	-	4	OSPT6201	
		Neutral cap	S56106202	62	31	-	4	OSPT62A1	
		TVZ cap	S56107206	72	33	-	4	OSPT7201	
		Neutral cap	S56107202	72	33	-	4	OSPT72A1	

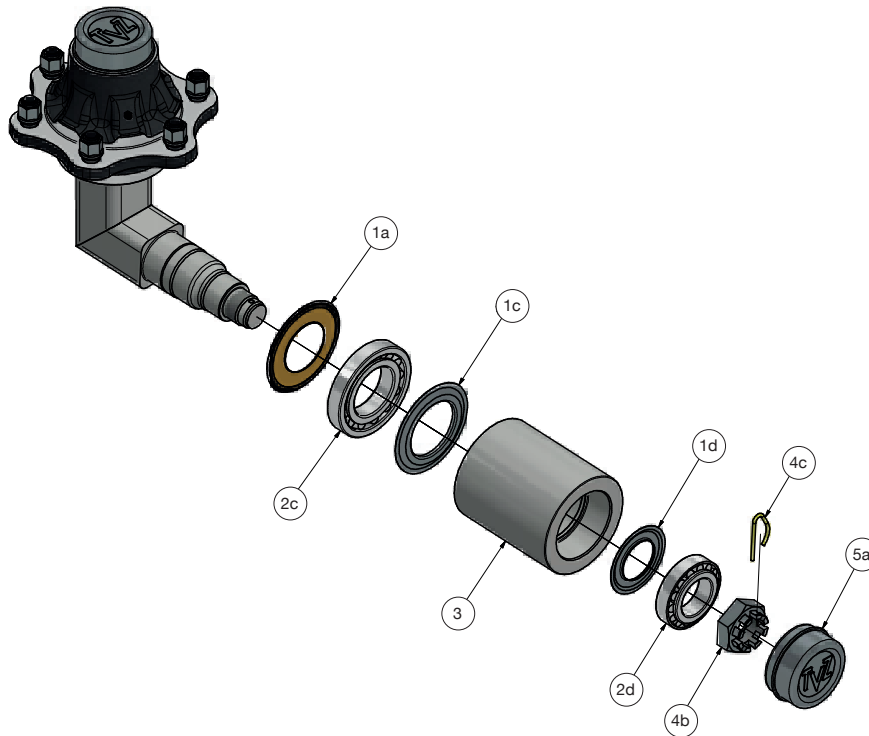


"L" type

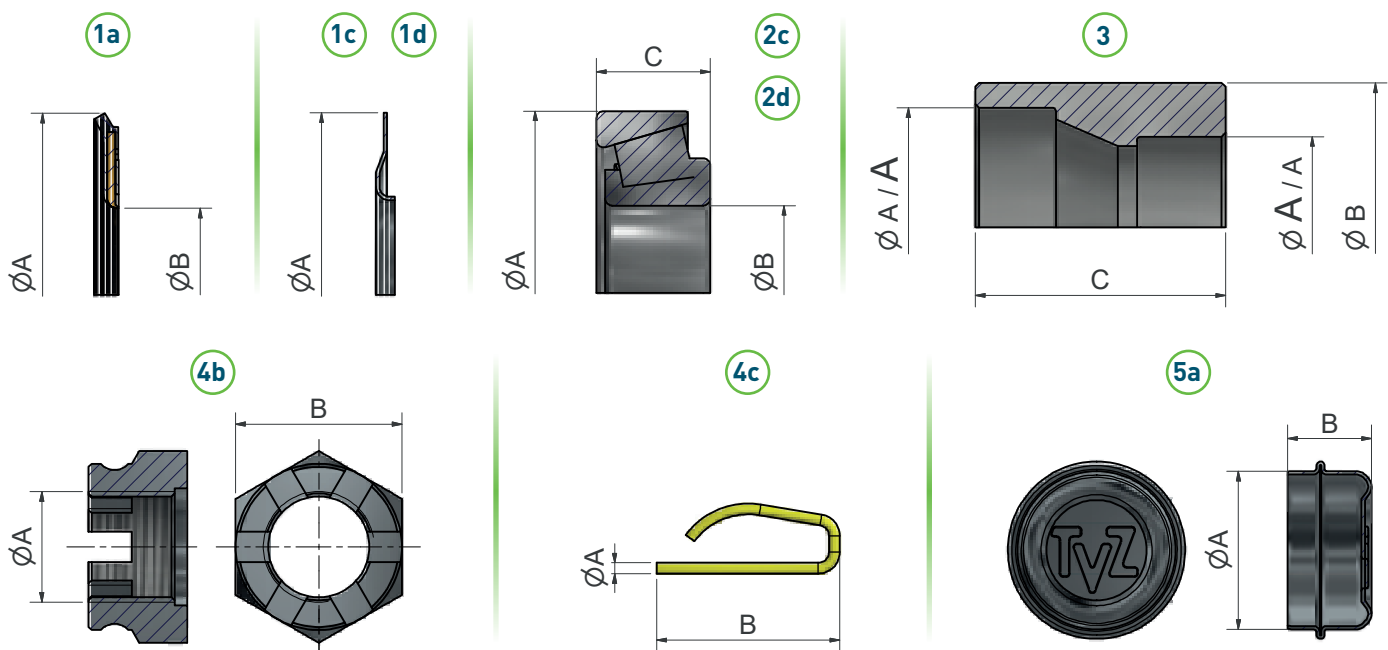


Steering stub axles "L" type	Item	Description	Code	A	B	C	Qty	Kit code
640	1a	Agr. Seal	S5411001	100	55	-	2	OSP64001
	1c	Nilos 30211	S5511001	100	-	-	2	
	1d	Nilos 30208	S5510801	80	-	-	2	
	1a	Agr. Seal	S5411001	100	55	-	2	OSP640A1
	1c	Nilos 30211	S5511001	100	-	-	2	
	1d	Nilos 30209	S5510851	85	-	-	2	
	2c	Bearing 30211	S59130211	100	55	22,75	1	OSP64002
	2d	Bearing 30208	S59130208	80	40	19,75	1	
	2c	Bearing 30211	S59130211	100	55	22,75	1	OSP640A2
	2d	Bearing 30209	S59130209	85	45	20,75	1	
	3	Bush for bearings 30208-30211	S907B004	80 / 100	120	120	1	S907B004
		Bush for bearings 30209-30211	S907B026	85 / 100	120	118	1	S907B026
	4b	Crown nut	S57539B1	M39x1,5	50	-	4	OSPD3901
	4c	Spring pin	S58205	4	64	-	4	
	5a	TVZ cap	S56108009	80	39	-	4	OSPT8001
		Neutral cap	S56108002	80	39	-	4	OSPT80A1
TVZ cap		S56108509	85	-	-	4	OSPT8501	
Neutral cap		S56108502	85	-	-	4	OSPT85A1	

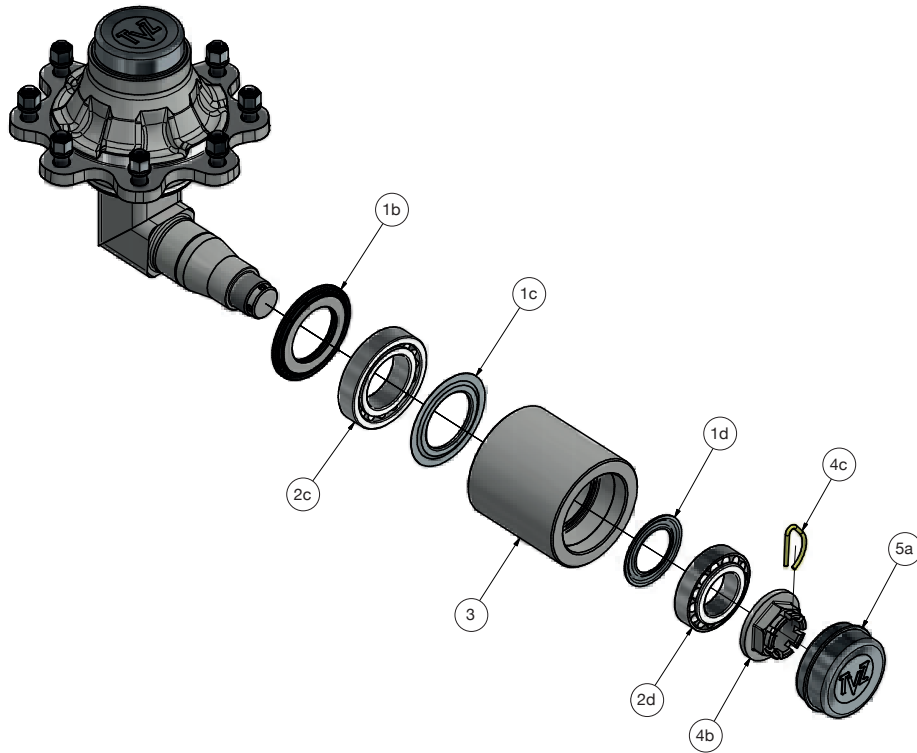




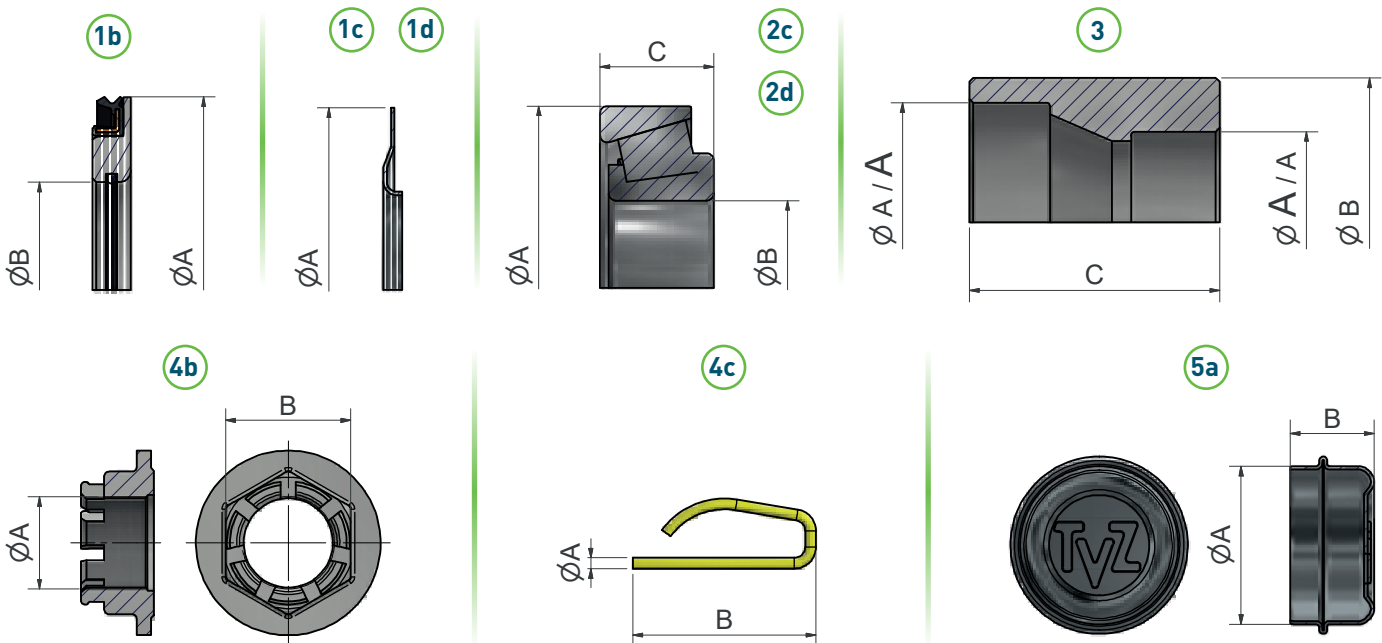
Steering stub axles "L" type	Item	Description	Code	A	B	C	Qty	Kit code	
661	1a	Agr. Seal	S5411201	120	65	-	2	OSP66101	
	1c	Nilos 30213	S5511201	120	-	-	2		
	1d	Nilos 32210	S5510901	90	-	-	2		
	2c	Bearing 30213	S59130213	120	65	24,75	1	OSP66102	
	2d	Bearing 32210	S59132210	90	50	24,75	1		
	3	Bush for bearings 32210-30213		S907B005	90 / 120	130	152	1	S907B005
		Bush for bearings 32210-30213		S907B014	90 / 120	147	150	1	S907B014
		Bush for bearings 32210-30213 SPECIAL		S907B022	90 / 120	133	152	1	S907B022
	4b	Crown nut	S57539B2	M39x1,5	60	-	4	OSPD3902	
	4c	Spring pin	S58205	4	64	-	4		
5a	TVZ cap	S56109009	90	46	-	2	OSPT9001		
	Neutral cap	S56109002	90	46	-	2	OSPT90A1		

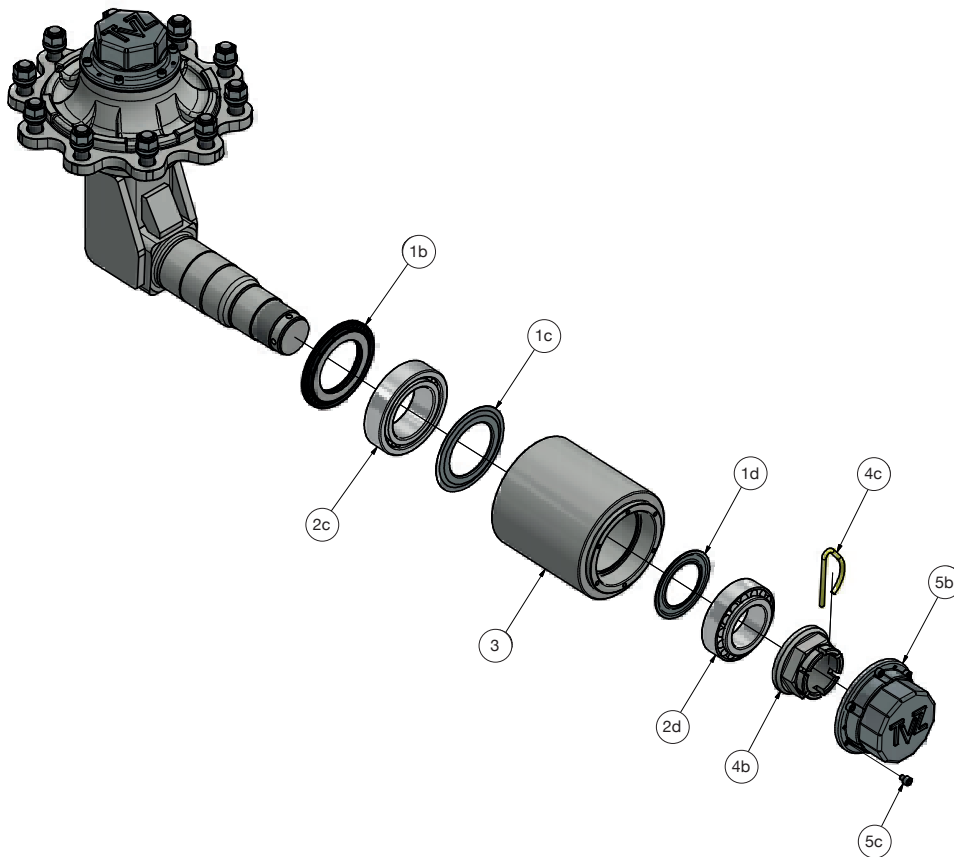


"L" type

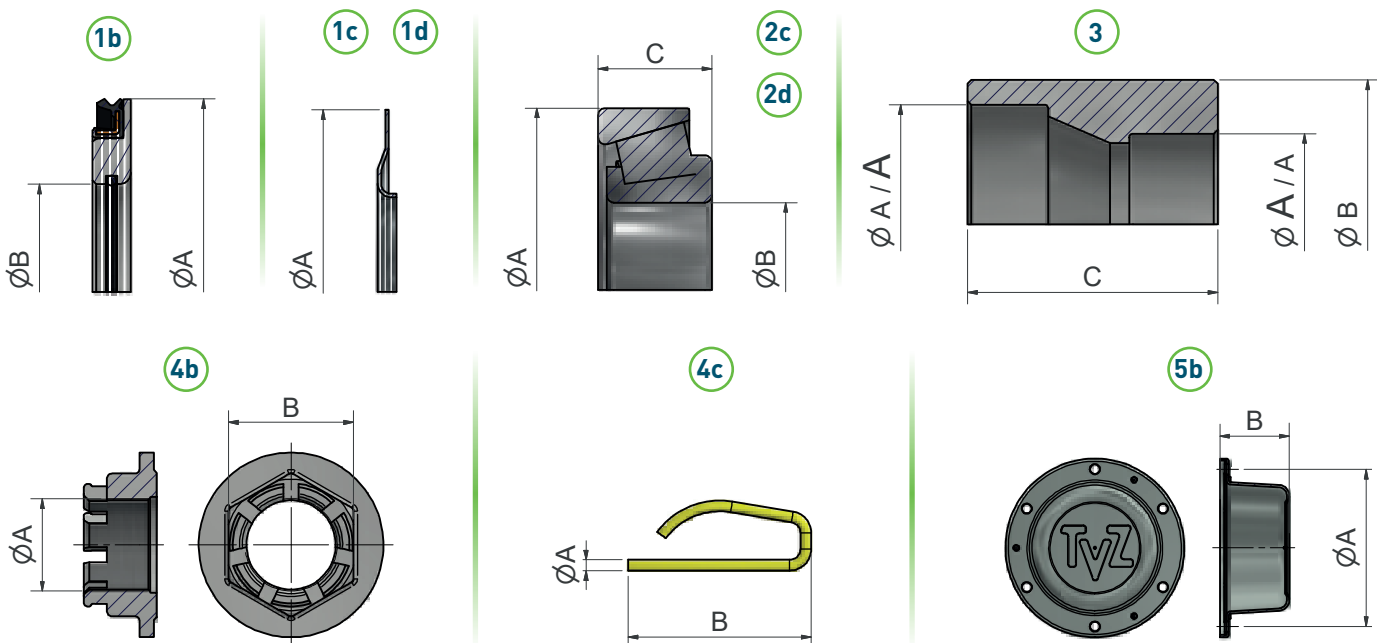


Steering stub axles "L" type	Item	Description	Code	A	B	C	Qty	Kit code
671	1b	Ind. Seal	S5441301	130	77	-	1	OSP67101
	1c	Nilos 32215	S5511301	130	-	-	1	
	1d	Nilos 32212	S5530991	99	-	-	1	
	2c	Bearing 32215	S59132215	130	75	33,25	1	OSP67102
	2d	Bearing 32212	S59132212	110	60	29,75	1	
	3	Bush for bearings 32212-32215	S907B013	110 / 130	152	150	1	S907B013
		Bush for bearings 32212-32215	S907B006	110 / 130	150	150	1	S907B006
	4b	Crown nut	S57548B5	M48x1,5	65	-	2	OSPD4801
	4c	Spring pin	S58209	5	58	-	2	
	5a	TVZ cap	S56111009	110	49	-	2	OSPTA101
Neutral cap		S56111006	110	49	-	2	OSPTA1A1	

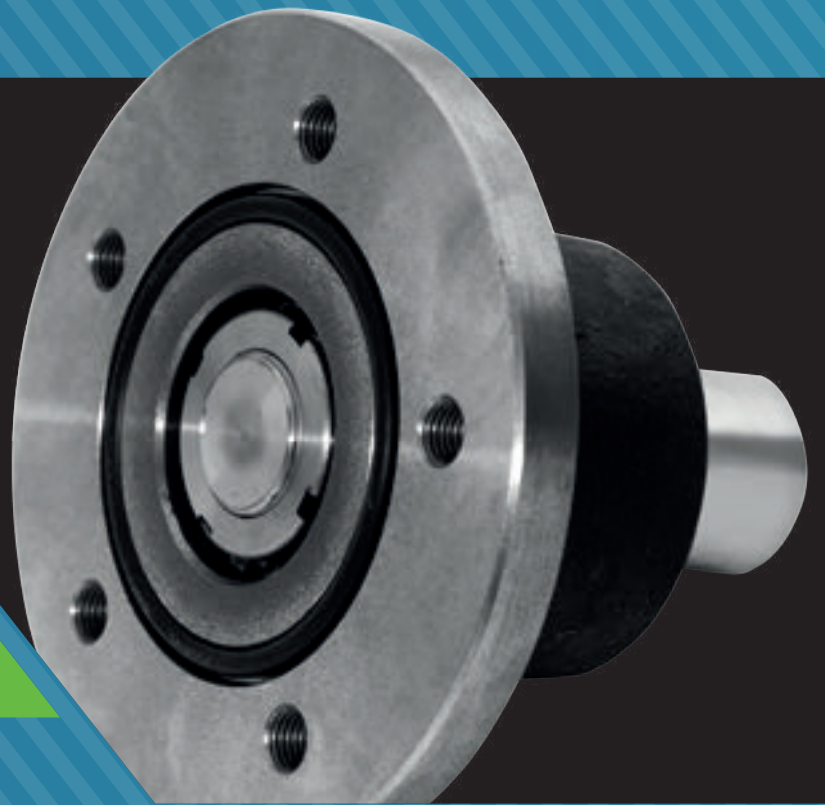




Steering stub axles "L" type	Item	Description	Code	A	B	C	Qty	Kit code
898	1b	Ind. Seal	S5441502	150	92	-	1	OSP99101
	1c	Nilos 33118	S5511503	150	-	-	1	
	1d	Nilos 33215	S5531191	119	-	-	1	
	2c	Bearing 33118	S59133118	150	90	45	1	OSP99102
	2d	Bearing 33215	S59133215	130	75	41	1	
	3	Bush for bearings 33215-33118	S907B033	130 / 150	190	204	1	S907B033
	4b	Crown nut	S57570D1	M70x2	90	-	2	OSPD7001
	4c	Spring pin	S58207	106	7	-	2	
	5b	TVZ cap with gasket	S561130T1	144	80	-	2	OSPTA301
	5c	Screw M8x1,25	S96308A0101	-	-	-	12	
	5b	Neutral cap with gasket	S561130T2	144	80	-	2	OSPTA3A1
	5c	Screw M8x1,25	S96308A0101	-	-	-	12	

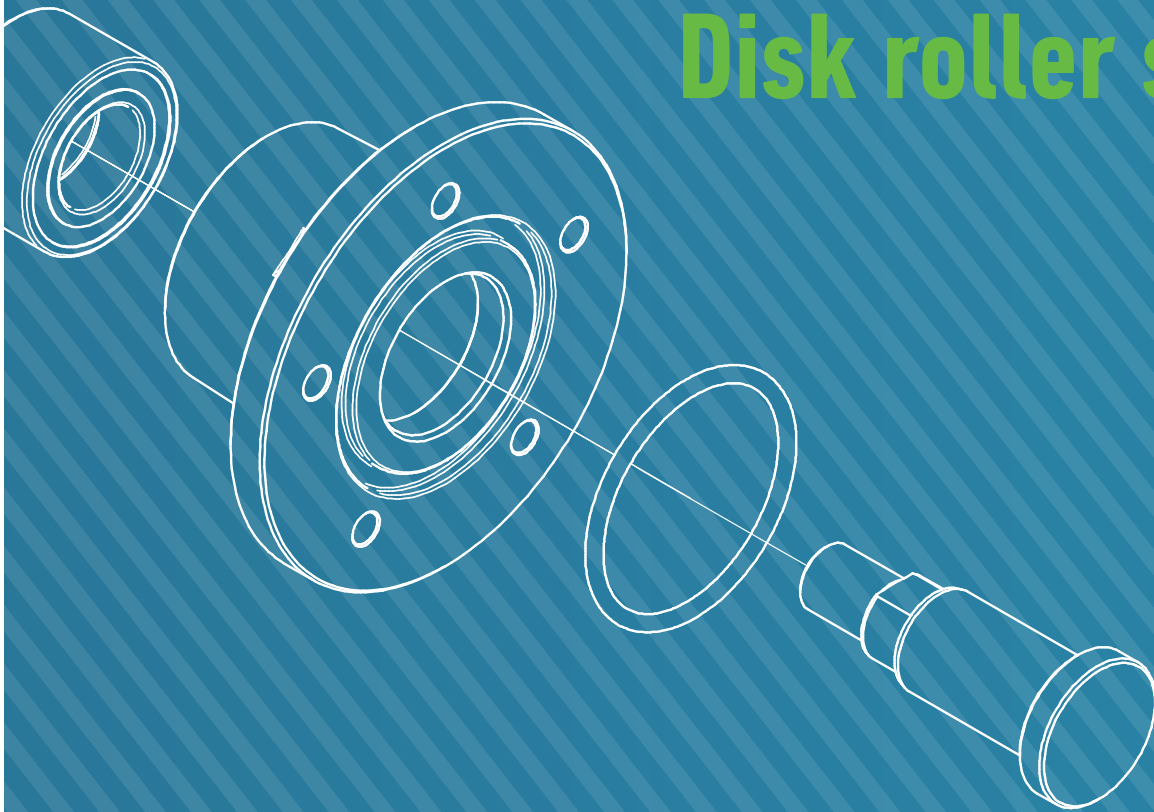


The logo consists of the letters 'TVZ' in a bold, white, sans-serif font, enclosed within a white rounded square border. The background of the entire page is a collage of technical and industrial imagery. The top section features a blue background with diagonal white lines and a green background with white technical diagrams, including circuit boards, gears, and arrows. The middle section shows a blue background with diagonal white lines and a green background with white line drawings of mechanical parts, including a circular component with 'TVZ' in the center and several coils. The bottom section is a close-up photograph of a mechanical assembly with a green background, showing a cylindrical component with a series of small, reflective spheres or balls inside.

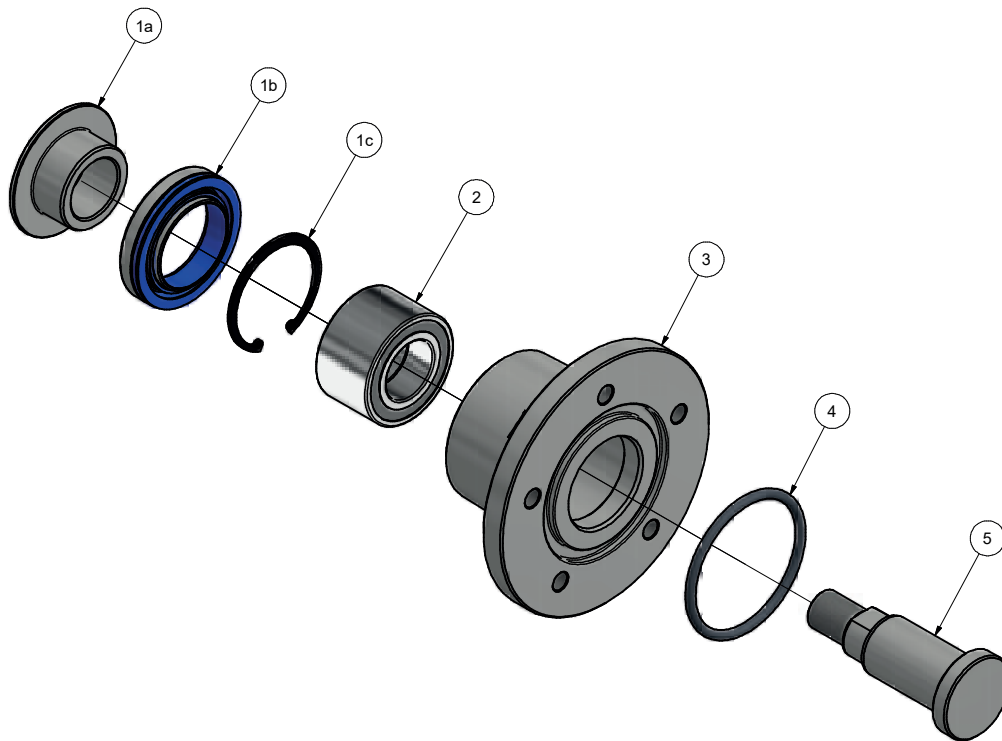


DISCHI FRANGIZOLLE

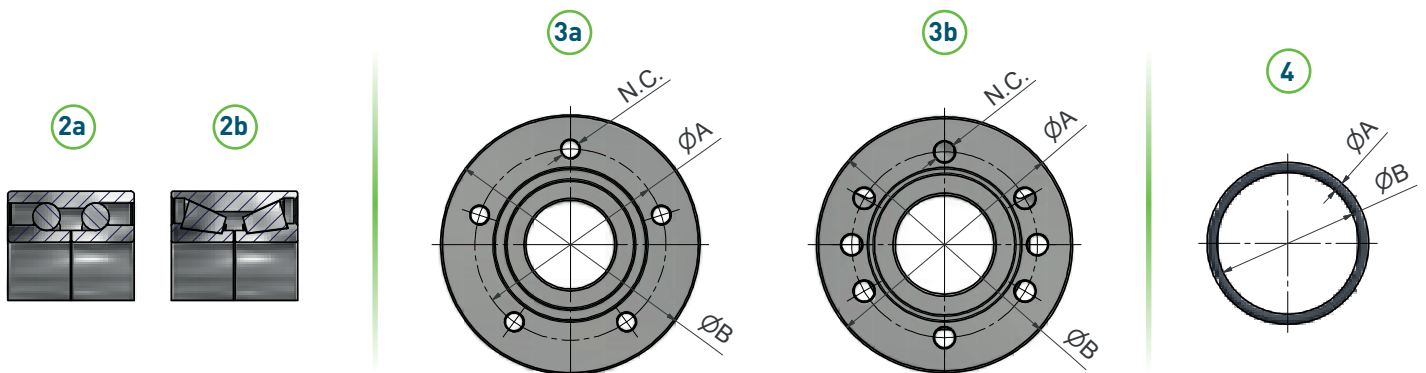
Disk roller scrapers

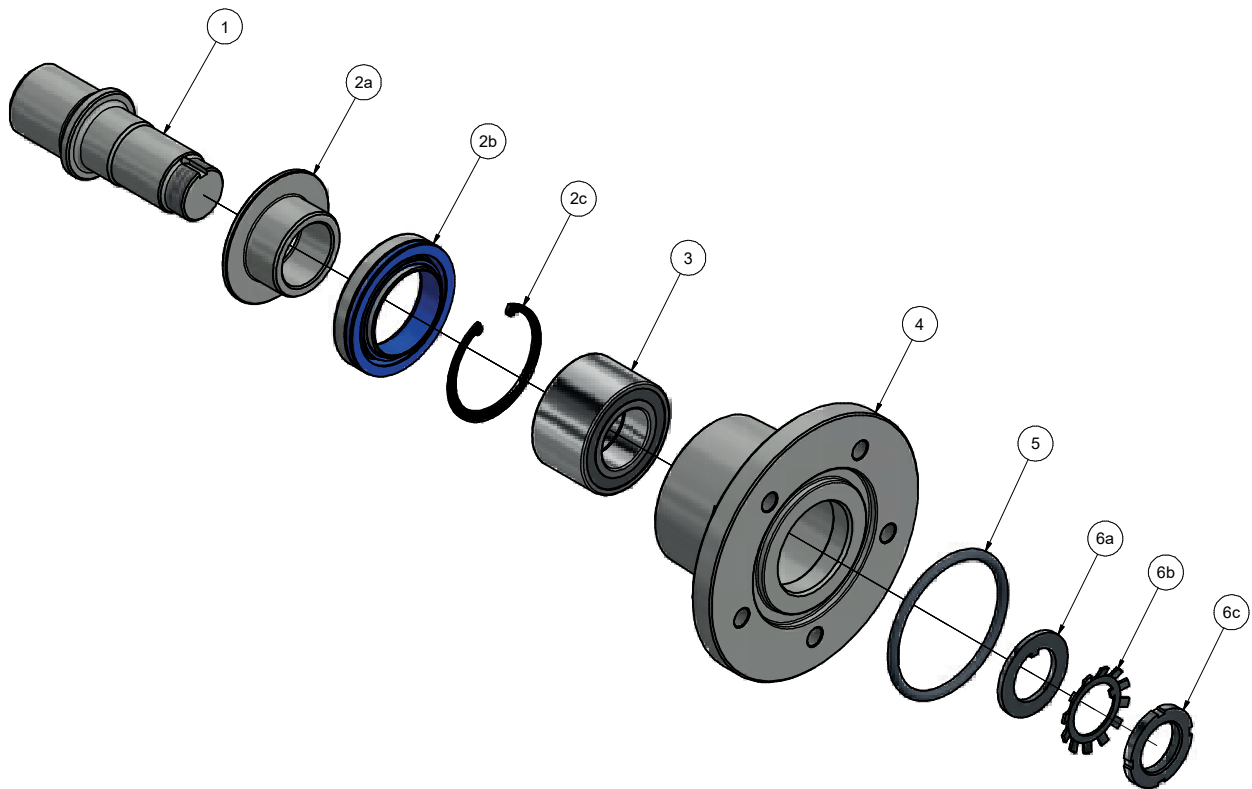


Screwed version

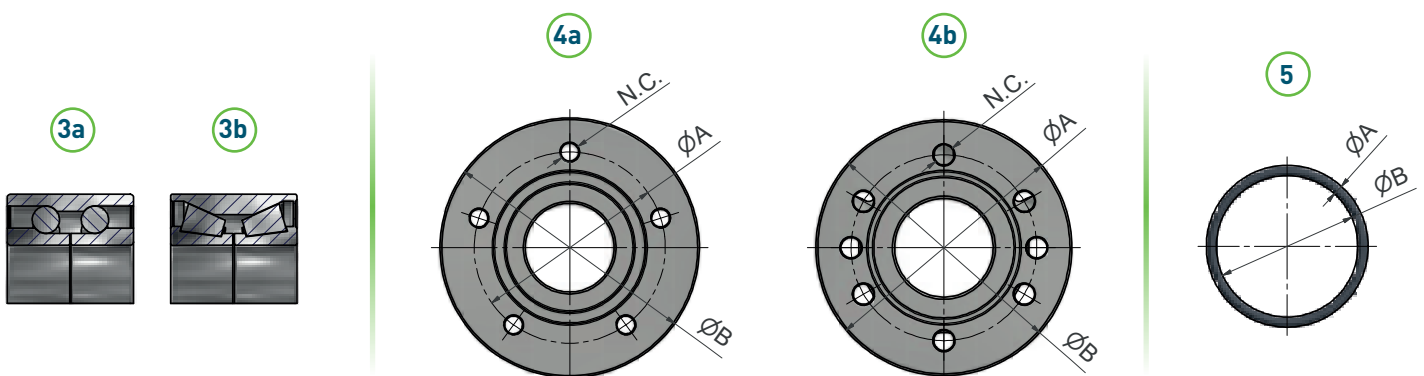


Disk roller scrapers	Item	Description	Code	A	B	C	Qty	Kit code
SCREWED version	1a	Shoulder ring D034/048 L025 for seal	S54D0341	-	-	-	1	OSDS0001
	1b	Seal UA16 048 075 14/17	S54U0751	-	-	-	1	
	1c	Seeger D063 DIN472 for bore	S58515	-	-	-	1	
	2a	309726-BA 34 64 37 ball bearing with shields	S595309726-BA	-	-	-	1	S595309726-BA
	2b	346437-2RS 34 64 37 taper roller bearing with shields	S592346437-2RS	-	-	-	1	S592346437-2RS
	3a	Hub H05 M12 064-000 000-112	S61LZDKT01	112	152	5 - M12x1,5	1	S61LZDKT01
	3b	Hub H04 / H06 M12X1.25 064-000 000-098	S61LZDKT02	98	135	4 / 6 - M12x1,25	1	S61LZDKT02
	4	O-ring 178 (for hub 5 holes)	S53107501	5,3	74,6	-	1	S53107501
		O-ring 176 (for hub 4 / 6 holes)	S53107301	3,5	73	-	1	S53107301
	5	Body stub axle R050 lam FF0117	S69DP51T002	-	-	-	1	S69DP51T002





Disk roller scrapers	Item	Description	Code	A	B	C	Qty	Kit code
WELDED version	1	Body stub axle R050 lam FF0125	S69DP51T001	-	-	-	1	S69DP51T001
	2a	Shoulder ring D036/048 L025 for seal	S54D0362	-	-	-	1	OSDW0001
	2b	Seal UA16 048 075 14/17	S54U0751	-	-	-	1	
	2c	Seeger D063 DIN472 for bore	S58515	-	-	-	1	
	3a	309726-BA 34 64 37 ball bearing with shields	S595309726-BA	-	-	-	1	S595309726-BA
	3b	346437-2RS 34 64 37 taper roller bearing with shields	S592346437-2RS	-	-	-	1	S592346437-2RS
	4a	Hub H05 064-000 000-112	S61LZDKT01	112	152	5 - M12x1,5	1	S61LZDKT01
	4b	Hub H04 / H06 064-000 000-098	S61LZDKT02	98	135	4 / 6 - M12x1,25	1	S61LZDKT02
	5	O-ring 178 (for hub 5 holes)	S53107501	5,3	74,6	-	1	S53107501
		O-ring 176 (for hub 4 / 6 holes)	S53107301	3,5	73	-	1	S53107301
	6a	Safety washer M30	S57B3001	-	-	-	1	OSDW0002
	6b	Washer MB6 D30 for ring nut KM6	S98803001	-	-	-	1	
	6c	Ring nut KM6 M30X1.50	S98430B2	-	-	-	1	

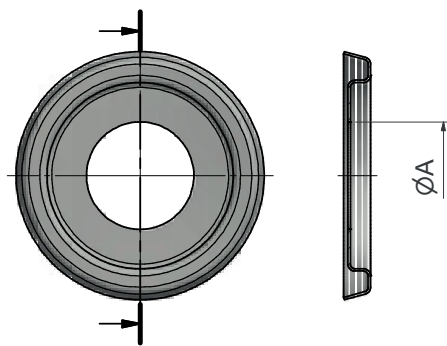




OPTIONAL

Optional

Mud guard

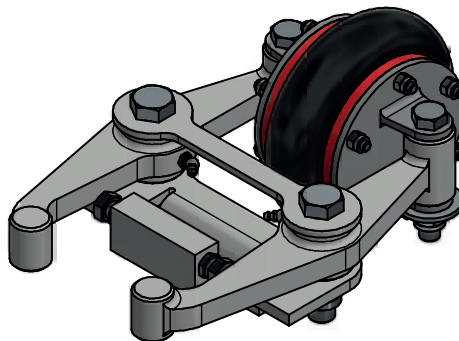


(1) Machined hub. Please contact our sales office

Description	Code	A	Qty	Kit code
Mud guard for hub 431 - 440	S915PP30	30	1	S915PP30
Mud guard for hub 520	S915PP35	35	1	S915PP35
Mud guard for hub 530	S915PP40	40	1	S915PP40
Mud guard for hub 540	S915PP45	45	1	S915PP45
Mud guard for hub 640 (1)	S915PP55	55	1	S915PP55
Mud guard for hub 661	S915PP65	65	1	S915PP65

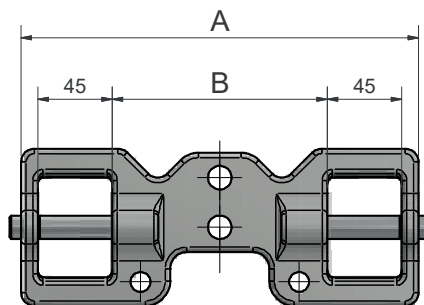


Steering corrector

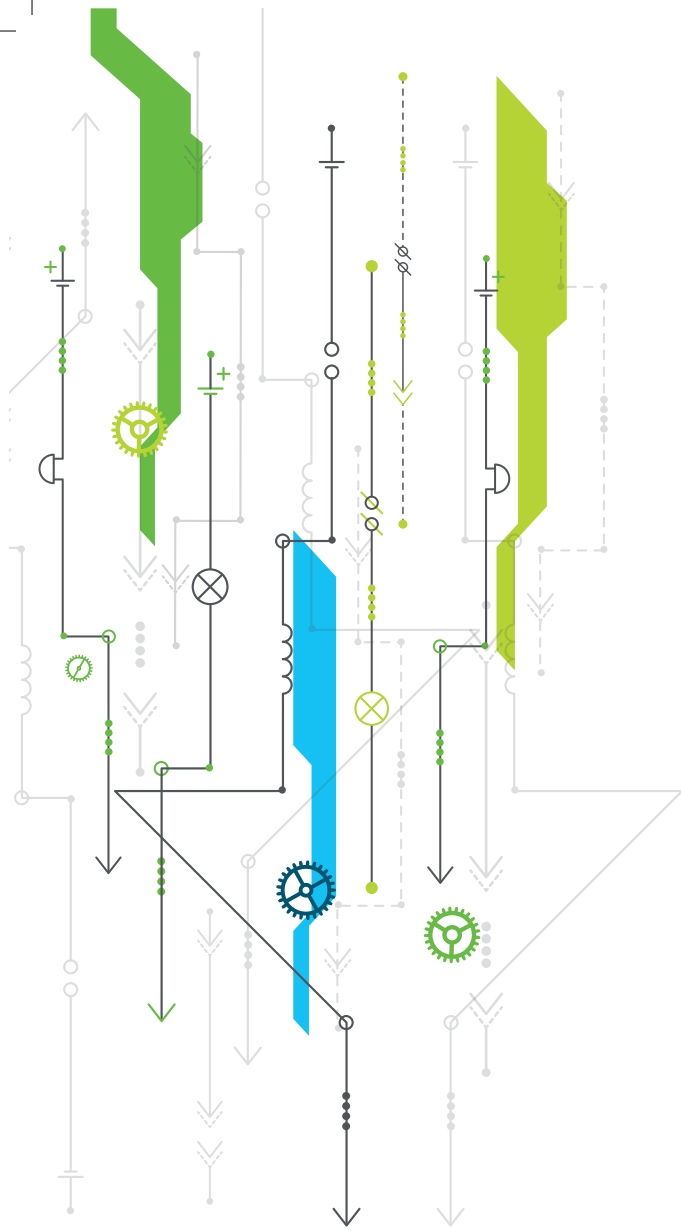


Description	Code	Qty	Kit code
Steering corrector	S811C001	1	S811C001

Compensator



Description	Code	A	B	Qty	Kit code
Compensator	S768101K	240	130	1	S768101K
Compensator	S768102K	290	180	1	S768102K



Copyright © 2022 by TVZ S.r.l. All rights reserved.

Tutti i diritti riservati. Nessuna parte di questo catalogo può essere riprodotta, memorizzata in un sistema di recupero o trasmessa in qualsiasi forma o con qualsiasi mezzo (elettronico, meccanico, fotocopie, o in altro modo) senza il preventivo consenso scritto di TVZ S.r.l.

All rights reserved. No part of this catalogue may be reproduced, stored in a retrieval system, or transmitted in any form or by any means (electronic, mechanical, photocopying, or otherwise) without the prior written permission of TVZ S.r.l.

A fronte di una continua ricerca tecnologica i dati possono cambiare senza preavviso.
Contattare il nostro ufficio commerciale per ulteriori informazioni.

*Because of continuous technology research data can change without notice.
Please, contact our sales department for further information.*

Printed in Italy
Graphics and layout design by: Art&image (BS)



www.tvzassali.it





T.V.Z. S.r.l.

Via Gianbattista Meli, 118
25013 Carpenedolo (BS) ITALY
Tel +39 030 9699211
Fax +39 030 9699220
info@tvzassali.it

www.tvzassali.it

A small graphic of the Italian flag, showing the vertical stripes of green, white, and red, positioned below the website address.